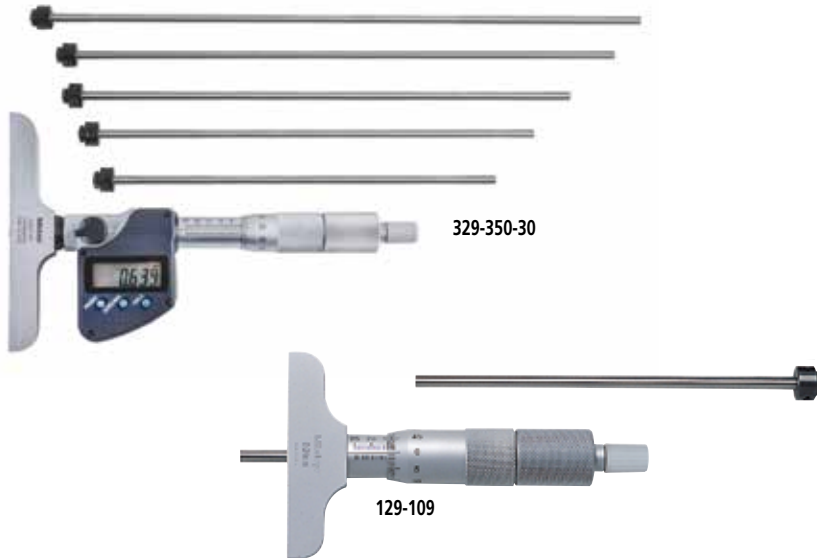


# Depth Micrometer

## SERIES 329, 129 — Interchangeable Rod Type

### FEATURES

- $\varnothing 4$ mm interchangeable rods, with lapped measuring end, provide a wide measuring range.
- The rod length can be adjusted in 1" or 25mm increments.
- With ratchet stop for constant force.
- With measuring rod clamp.
- With SPC output (Series 329).
- Supplied in fitted plastic case.



### SPECIFICATIONS

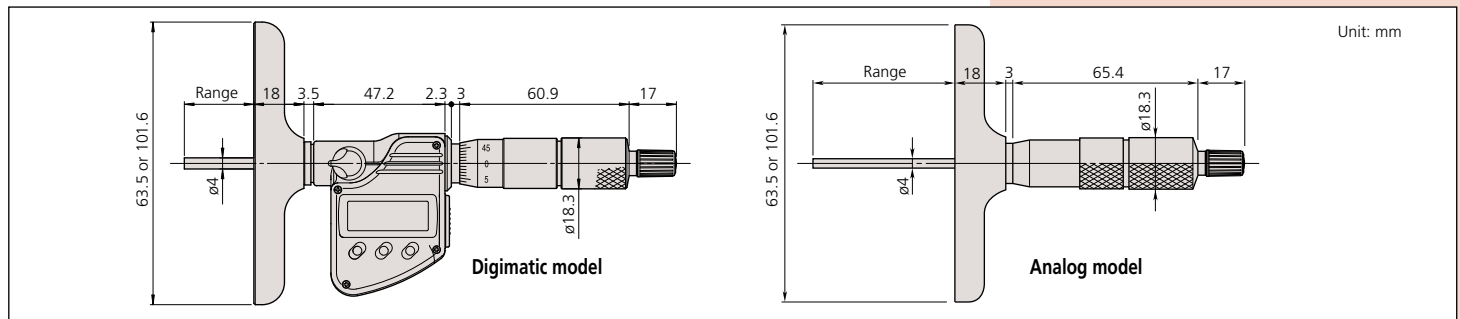
Metric		Digimatic model	
Range	Order No.	Base Size	Rod Qty.
0 - 150mm	<b>329-250-30</b>	101.6x16mm	6 rods
0 - 300mm	<b>329-251-30</b>	101.6x16mm	12 rods

Metric			
Range	Order No.	Base Size	Rod Qty.
0 - 50mm	<b>129-109</b>	63.5x16mm	2 rods
0 - 100mm	<b>129-111</b>	63.5x16mm	4 rods
0 - 100mm	<b>129-115</b>	101.6x16mm	4 rods
0 - 150mm	<b>129-112</b>	63.5x16mm	6 rods
0 - 150mm	<b>129-116</b>	101.6x16mm	6 rods

Inch/Metric		Digimatic model	
Range	Order No.	Base Size	Rod Qty.
0 - 6" / 0 - 152.4mm	<b>329-350-30</b>	4"x.63"	6 rods
0 - 12" / 0 - 304.8mm	<b>329-351-30</b>	4"x.63"	12 rods

Inch			
Range	Order No.	Base Size	Rod Qty.
0 - 4"	<b>129-127</b>	2.5"x.63"	4 rods
0 - 4"	<b>129-131</b>	4"x.63"	4 rods
0 - 6"	<b>129-128</b>	2.5"x.63"	6 rods
0 - 6"	<b>129-132</b>	4"x.63"	6 rods
0 - 12"	<b>129-149</b>	2.5"x.63"	12 rods
0 - 12"	<b>129-150</b>	4"x.63"	12 rods

### DIMENSIONS



### Technical Data

Accuracy:  $\pm 0.0015"/3\mu\text{m}$  for micrometer head feed  
 $\pm [0.0008 + (.00004 \times R/3)]"$   
 $R = \text{max. measuring length (inch)}$   
 $\pm (2 + L/75)\mu\text{m}$  for interchangeable rod,  
 $L = \text{Max. measuring length (mm)}$

Resolution\*:  $.00005"/0.001\text{mm}$  or  $0.001\text{mm}$   
 Graduation\*\*:  $.001"$  or  $0.01\text{mm}$   
 Flatness of reference surface (base):  
 $.00005"/1.3\mu\text{m}$  for 2.5"/63.5mm wide base  
 $.00008"/2\mu\text{m}$  for 4"/101.6mm wide base  
 Flatness of measuring face (rod):  
 $.000012"/0.3\mu\text{m}$   
 Parallelism between reference face and measuring rod face:  
 $[.00016 + (.00004 \times R/2)]"$   
 $R = \text{max. measuring range (inch)}$   
 $(4 + L/50)\mu\text{m}$   
 $L = \text{Max. measuring length (mm)}$

Zero point error of rods:  
 $\pm 0.0002"/4\mu\text{m}$  for 0-6"/0-150mm models  
 $\pm 0.0003"/6\mu\text{m}$  for 0-12"/0-300mm models

Measuring rod diameter:  $.157"/4\text{mm}$   
 Display\*: LCD  
 Battery\*: SR44 (1 pc.), **938882**  
 Battery life\*: Approx. 2.4 years under normal use  
 \*Digital models \*\*Analog models

### Function of Digimatic Model

Origin-set, Zero-setting, Data hold, Data output, inch/mm conversion (on inch/metric models only)  
 Function Lock, 2 Presets  
 Alarm: Low voltage, Counting value composition error

### Optional Accessories for Digimatic Model

- 05CZA662**: SPC cable with data switch (40" / 1m)
- 05CZA663**: SPC cable with data switch (80" / 2m)

