

Series 1000 and Series 2000 Installation Manual



WEB VERSION

PK-93856-10-00-08

TABLE OF CONTENTS

1 Product Description.....	5
1.1 General Description.....	5
1.2 Meter Features.....	5
1.3 Meter Certifications.....	5
1.4 Physical Description.....	5
2 Technical Specifications.....	7
2.1 Electrical Specifications	
Table 1 - Series 1000 Electrical Specifications.....	7
Table 2 - Series 2000 Electrical Specifications.....	8
2.2 Input/Output Connections and User Display.....	9
2.3 Display Specifications.....	11
3 Installation Instructions.....	12
3.1 Explanation of Warning Symbols.....	12
3.2 Safety Precautions.....	12
3.3 Preparation.....	13
3.4 List of Materials.....	13
3.5 Mounting the Enclosure.....	13
3.5.1 Selecting a Mounting Location.....	13
3.5.2 Conduit Openings.....	14
3.5.3 Mounting Procedure and Conduit Installation.....	14
3.6 Installation of Voltage Lines.....	15
3.7 Installation of Current Transformers.....	16
General Requirements.....	16
Installing Solid Core CTs.....	17
Installing Split Core CTs.....	17
Figure 7: 1-phase, 2-wire Hookup Diagram.....	18
Figure 8: 1 or 2 phase, 3 wire Hookup Diagram.....	19
Figure 9: 3-phase, 4-wire WYE Hookup Diagram.....	20
3.8 Testing the Installation.....	21
Testing Voltage.....	21
CT Reverse Phase Indicator.....	21
Load LEDs.....	21
LCD Display.....	21
3.9 Securing the Enclosure.....	21
4 Maintenance.....	22
5 Troubleshooting/FAQ.....	22
6 Contact Information.....	23
7 Warranty.....	68

WEB VERSION

TABLE OF CONTENTS

List of Figures

Figure 1: Steel Enclosure Dimensions5
Figure 2: Plastic Enclosure Dimenstions6
Figure 3: Series 1000/2000 I/O Connections9
Figure 4: Mounting the Enclosure..... 15
Figure 5: Leviton Solid Core CTs..... 16
Figure 6: Leviton Split Core CTs..... 17
Figure 7: 1-phase, 2-wire Hook up Diagram..... 18
Figure 8: 1 or 2-phase, 3-wire Hookup Diagram 19
Figure 9: 3-phase, 4-wire WYE Hookup Diagram 20

List of Tables

Table 1: Series 1000 Electrical Specficiation7
Table 2: Series 2000 Electrical Specficiation8
Table 3: I/O connections and Status Indicators 10

WEB VERSION

1 PRODUCT DESCRIPTION

1.1 General Description

The Leviton Series 1000 and 2000 meters are self-powered; current transformer (CT) rated electronic kilowatt-hour (kWh) meters designed for permanent connection to an electrical service.

- Series 1000 meters are designed for 1-phase, 2-wire and 1 or 2-phase, 3-wire services, whereas Series 2000 meters are designed for 3-phase, 4-wire services.
- This guide is for use with individual Series 1000 and 2000 units.
- These meters are suitable for WYE configurations only

1.2 Meter Features

- Revenue-grade accuracy with solid-core CTs
- Use with 100mA solid core, or easy to install split core CTs
- Built in LCD that displays kWh data
- AMR compatible isolated pulse outputs
- Reverse-phase diagnostic indicator
- 5-year warranty

1.3 Meter Certifications

- UL Listed in the US and Canada
- Conforms to accuracy requirements set forth in ANSI C12.10
- Series 2000 meters are California CTEP approved with 100A and 200A solid core CTs.

1.4 Physical Description

Single Series 1000 and Series 2000 meters are available in two enclosures:

1. Industrial grade JIC steel enclosures for indoor installations shown in Figure 1

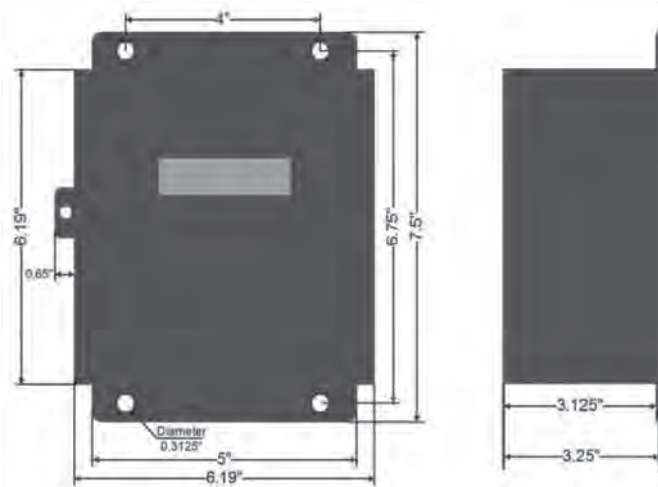


Figure 1 - Steel enclosure dimensions

1 PRODUCT DESCRIPTION

2. Plastic NEMA 4X enclosures, shown in Figure 2

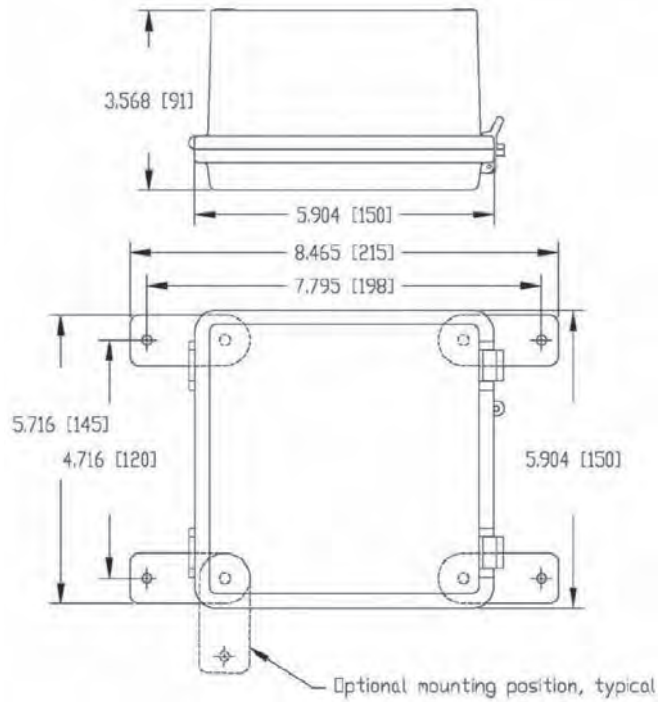


Figure 2 - Plastic enclosure dimensions

2 TECHNICAL SPECIFICATIONS

2.1 Electrical Specifications

Series 1000 and Series 2000 Meters fall under UL Circuit Category III: a device for measurements performed in the building installation. The electrical and environmental specifications for Series 1000 and Series 2000 meters are given in Table 1 and Table 2 below:

Series 1000 Electrical Specifications

Input Configurations	1 Phase, 2 Wire (120V or 277V)	1 or 2 Phase, 3 Wire (120/208V, 120/240V, or 277/480V)
Supply Voltage Range (Line to Neutral)	102-138VAC 235-320VAC	102-138VAC 235-320VAC
Maximum Input Power	7VA	7VA
Maximum Rated Current	Primary: Max Operating Current + 10% Secondary: 0.12A	Primary: Max Operating Current + 10% Secondary: 0.12A
Line Frequency	50-60Hz	50-60Hz
Power Factor Range	0.5 to 1.0 Leading or Lagging	0.5 to 1.0 Leading or Lagging
Accuracy ¹	+/- 0.5% of registration @ 1.0 PF, 1% to 100% of rated current +/- 0.75% of registration @ 0.5 PF, 1% to 100% of rated current	+/- 0.5% of registration @ 1.0 PF, 1% to 100% of rated current +/- 0.75% of registration @ 0.5 PF, 1% to 100% of rated current
Meter Operating Temperature	-30 to 60° C	-30 to 60° C
Display Operating Temperature	-20 to 50° C	-20 to 50° C
Rated Pollution Degree ²	2	2
Rate Relative Humidity	80%	80%
Terminal Block Torque Ratings: Voltage Terminal CT and I/O Terminal	12 in-lb max 4.4 in-lb max	12 in-lb max 4.4 in-lb max

Table 1 - Series 1000 Electrical Specifications

¹Accuracy based on Leviton solid core current transformers (included), with 100 mA secondary output. Meter input burden resistance at 2 Ohms

²Pollution Degree 2: Normally only non-conductive pollution occurs. Occasionally, however, a temporary conductivity caused by condensation must be expected.

2 TECHNICAL SPECIFICATIONS

Series 2000 Electrical Specifications

Input Configurations	3Phase, 4 Wire (120/208V or 277/480V)
Supply Voltage Range (Line to Neutral)	102-138VAC 235-320VAC
Maximum Input Power	7VA
Maximum Rated Current	Primary: Max Operating Current + 10% Secondary: 0.12A
Line Frequency	60Hz
Power Factor Range	0.5 to 1.0 Leading or Lagging
Accuracy ¹	+/- 0.5% of registration @ 1.0 PF, 1% to 100% of rated current +/- 0.75% of registration @ 0.5 PF, 1% to 100% of rated current
Meter Operating Temperature	-30 to 60° C
Display Operating Temperature	-20 to 50° C
Rated Pollution Degree ²	2
Rate Relative Humidity	80%
Terminal Block Torque Ratings: Voltage Terminal CT and I/O Terminal	12 in-lb max 4.4 in-lb max

Table 2 - Series 2000 Electrical Specifications

¹Accuracy based on Leviton solid core current transformers (included), with 100 mA secondary output.
Meter input burden resistance at 2 Ohms

²Pollution Degree 2: Normally only non-conductive pollution occurs. Occasionally, however, a temporary conductivity caused by condensation must be expected.

2 TECHNICAL SPECIFICATIONS

2.2 Input/Output Connections and User Display

The input and output terminals for Series 1000 and Series 2000 meters are shown below in Figure 3. For hookup diagrams and wiring information refer to section 3.

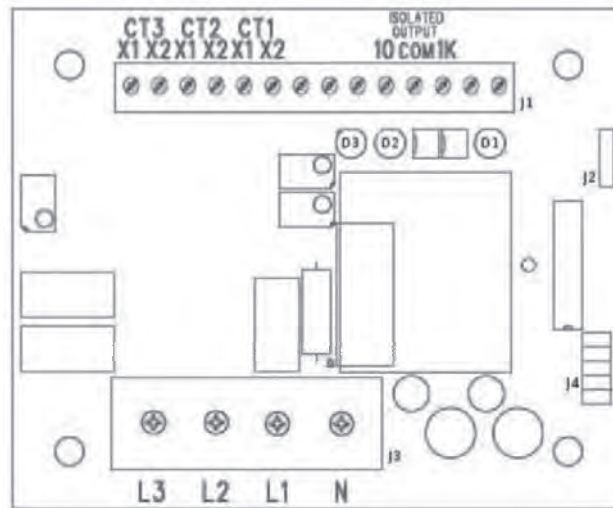


Figure 3: Series 1000/2000 I/O Connections

2 TECHNICAL SPECIFICATIONS

Voltage Inputs	Description
L3	Voltage Input Line 3
L2	Voltage Input Line 2 (3-wire and 4-wire models only)
L1	Voltage Input Line 1
N	Neutral Input (Meter powered from L1 & N)
CT Inputs (J1, Left Side)	
CT3: X1	Current Transformer input CT3 Colored wire of CT3 (4 wire models only)
CT3: X2	Current Transformer input CT3. White wire of CT3 (4 wire models only)
CT2: X1	Current Transformer input CT2. Colored wire of CT2 (3-wire and 4-wire models only)
CT2: X2	Current Transformer input CT2. White wire of CT2 (3-wire and 4-wire models only)
CT1: X1	Current Transformer input CT1. Black or colored wire of CT2
CT1: X2	Current Transformer input CT2. White wire of CT1
CT Inputs (J1, Right Side)	
10, Isolated Output (10 Wh/P, Kh = 10)	Isolated pulse output: 5 watt/hours on, 5 watt/hours off, referenced to ISOL COM
COM, Isolated Output	Isolated common for 10/1000 isolated outputs
1K, Isolated Output (1 kWh/P, Kh = 1000)	Isolated pulse output: 500 watt/hours on, 500 watt/hours off, referenced to ISOL COM
1 kWh LED (D3 – Green)	50% duty cycle (at constant load) LED with a pulse rate of 1 kWh per on/off cycle (500 watt/hours on, 500 watt/hours off). In the absence of a significant load, the LED could be on, or off.
10 Wh LED (D2 – Green)	50% duty cycle (at constant load) LED with a pulse rate of 10 Wh per on/off cycle (5 watt/hours on, 5 watt/hours off). In the absence of a significant load, the LED could be on, or off.
Reverse Phase LED (D1 – Red)	Illuminates when a problem with meter phasing exists. In the absence of a significant load, the LED could be on or off. See section 3.7 for CT installation instructions.

2 TECHNICAL SPECIFICATIONS

2.3 Display Specifications

2.3.1 General Display Information

Series 1000 and 2000 meters provide active energy measurements, which are displayed on the LCD in 1 kWh resolution. These values are cumulative and are cannot be reset. When configured with the energy demand option, the meters provide instantaneous readings on the integrated LCD. These values are displayed one at a time, for six seconds each, as follows:

- Total Active Energy, in kWh (1 kWh resolution, cumulative, non-resettable)
- Instantaneous Demand, in Kilowatts (last 5 minute average, 1/100 kW resolution)
- Peak Demand: Kilowatts (15 minute rolling demand interval, 1/100 kW resolution)

A dot in the LCD aligns with an arrow on the display label to differentiate between instantaneous and peak demand. After displaying peak demand and before displaying total energy, the meter tests the LCD by activating all segments simultaneously for one second.

2.3.2 Resetting the Peak Demand (optional additional feature)

An additional optional feature is the Peak Demand reset. Meters configured with the Peak Demand Reset option have an integrated key switch which is used to reset the peak demand. A demand reset command will only be recognized during the period when the peak demand is displayed on the LCD. In order to reset the demand, a pulse must be generated by turning the key switch from locked position (arrow up) to the right and then back to the original position. This back and forth transition triggers a demand reset. The maximum transition period is one second. Multiple key switch transitions during the peak demand display interval may be required to reset peak demand.

WEB VERSION

3 INSTALLATION INSTRUCTIONS

The following section contains installation and wiring instructions for the Leviton Series 1000, and Series 2000 meters in either the indoor or outdoor enclosure. If technical assistance is required at any point during the installation, contact information can be found at the end of this manual. Leviton is not responsible for damage to the meter caused by incorrect wiring.

3.1. Explanation of Warning Symbols



Indicates the need to consult the operation manual due to the presence of a potential risk.



Indicates the presence of electric shock hazards. Prior to proceeding, de-energize the circuit and consult the operation manual.



Indicates that the equipment is protected throughout by double insulation.

3.2. Safety Precautions

WARNING

- **Installation of electric meters requires working with possibly hazardous voltages. These instructions are meant to be a supplement to aid trained, qualified professionals. Failure to follow these warnings could result in death or injury.**
- **TO AVOID FIRE, SHOCK, OR DEATH, turn off all power supplying the equipment before performing any wiring operations. Use a properly rated voltage sensing device to confirm power is off.**
- **Bonding is not automatic for metal conduit connections; separate bonding is to be provided.**
- **Installations should be done in accordance with local codes and current National Electric Code requirements.**
- **Equipment used in a manner not specified by this document impairs the protection provided by the equipment.**

WEB VERSION

3 INSTALLATION INSTRUCTIONS

3.3 Preparation

- Verify the model number and electrical specifications of the device being installed to confirm they are appropriate for the intended electrical service (see Section 2).
- Consult local codes for any possible permits or inspections required before beginning electrical work.
- Ensure the conduit for the installation is appropriate for the intended application. UL Type 4x conduit and conduit fittings required for outdoor applications.
- Make sure all tools to be used during installation have proper insulation ratings.
- Look at the Meter and inside the electrical panel for possible exposed wire, broken wire, damaged components or loose connections.

3.4 List of Materials

- Series 1000 or Series 2000 meter, enclosure and associated mounting materials
- Line 1, Line 2, Line 3 and Neutral hook-up wires as needed for the electrical service.
- Wires must be 18 AWG or larger and insulated for 600 VAC min. Meter terminals will accept wiring up to 14 AWG.
- Current Transformers (CTs): This product is designed for use with Leviton 100mA series of solid and split core CTs.
- Conduit and fittings as appropriate. UL Type 4X conduit and fittings must be used for outdoor applications to maintain the rating of the installation.

3.5 Mounting the Enclosure

3.5.1 Selecting a Mounting Location

- Series 1000 and 2000 meters require a switch or circuit breaker as part of the building installation.
- The switch or circuit breaker must be marked as the disconnecting device for the meter.
- It is recommended that the enclosure be mounted near the disconnecting device in an area with adequate ventilation.
- The enclosure should not be positioned in a manner that makes it difficult to operate the disconnecting device.
- Ensure that the CT and voltage lead lengths (and conduit lengths) are capable of reaching the enclosure from the load center.
- If a suitable mounting location near the load center cannot be found, additional in-line fuses or circuit breaker may be required in accordance with NEC regulations.

3 INSTALLATION INSTRUCTIONS

3.5.2 Conduit Openings

Steel Enclosure

The Series 1000 and 2000 steel enclosure comes with a 1 1/16" knockout (3/4" conduit) on the bottom of the enclosure, and a 7/8" knockout (1/2" conduit) on top of the enclosure. To remove a knockout, use a flathead screwdriver (or other rigid device) to puncture the indentations first, and then pry off and discard the knockout.

Outdoor Enclosure

The bottom panel and lower half of the side panels work best for conduit opening locations in outdoor single meter enclosures. Select the location that makes wire installation easiest for the given environment. If the side panels are used, holes should be centered approximately half an inch from the bottom of the enclosure. Hole sizes must be appropriate to fittings, and large enough to fit all voltage and CT wiring (4-10 18 AWG min. wires insulated for 600 V min.). Care should be exercised to keep drill bit away from components inside the enclosure. **UL Type 4X conduit and fittings must be used in order to maintain the outdoor rating of the enclosure.**

3.5.3 Mounting Procedure and Conduit Installation

1. For outdoor enclosures, attach the mounting brackets to the back of the enclosure with the four provided screws as shown in Figure 4.
2. Fasten the enclosure to the selected surface using the provided mounting holes (steel enclosure) or mounting brackets (plastic enclosure).
3. Verify that the enclosure is not loose and that all connections are secure.
4. Attach the conduit between enclosure and load center, routing wires as necessary for later use.
5. Make sure the conduit fittings are aligned properly and tightened securely to prevent moisture from entering the enclosure (outdoor applications).



Figure 4 - Mounting the Enclosure

3 INSTALLATION INSTRUCTIONS

3.6 Installation of Voltage Lines



TO AVOID FIRE, SHOCK OR DEATH, make sure service is disconnected before any connections are made.



Voltage connections must be made in accordance with NEC Section 240 and all other local electrical code requirements.

1. Connect 18 AWG min., 600 V min. insulated wiring for Line voltages and Neutral to the appropriate locations in the breaker panel, in accordance with all national and local electrical codes.
2. Route wires through the conduit if not already done.
3. Trim the wire to the appropriate length to avoid coils of excess wiring.
4. Strip wiring to approximately .300 inches if needed and connect to the appropriate terminals. Wires should be tightened so that they are held snugly in place, but do not to over-tighten, as this may compress and weaken the conductor.

3 INSTALLATION INSTRUCTIONS

3.7 Installation of Current Transformers



TO AVOID FIRE, SHOCK OR DEATH, always open or disconnect the circuit from the power distribution system of a building before installing or servicing current transformers.



In accordance with NEC, CTs may not be installed in any panel board where they exceed 75% of the wiring space of any cross-sectional area.

General Requirements:

- Splices on the CT leads must be within the meter enclosure, not inside the conduit. Leviton CTs come with standard 48inch leads. Wire insulation should be stripped so that the bare conductor length that connects to the meter terminal block does not exceed 0.300 inches.
- CTs should be securely fastened such that they will not slide down to live terminals.
- Wires should be tightened so that they are held snugly in place, but do not to over-tighten, as this may compress and weaken the conductor.
- Current and voltage inputs must be installed 'in phase' for accurate readings (e.g. CT1 on Line 1, CT2 on Line 2) Orientation is critical. Ensure that all CTs are properly oriented with the line and load, as marked.

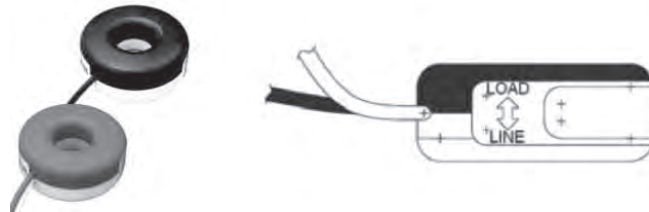


Figure 5: Leviton solid core CTs

3 INSTALLATION INSTRUCTIONS

Installing Solid Core CTs

1. Route CT wires through the conduit if not already done.
2. Trim the wire to the appropriate length to avoid coils of excess wiring.
3. Strip wiring to approximately .300 inches and connect to the appropriate terminals as described above.
4. With power turned off, disconnect each monitored conductor and slide on a CT, ensuring the CT is correctly oriented as noted above.
5. Reconnect the conductors.

Failure to install CTs in the correct orientation and on the correct phase will lead to inaccurate meter readings.



Figure 6: Leviton split core CTs

Installing Split Core CTs

1. Route CT secondary wires through conduit if not already done.
2. Trim the wire to the appropriate length to avoid coils of excess wiring.
3. Strip wiring to approximately .300 inches.
4. Connect the CT leads to the appropriate meter as described above.
5. With power to the conductors turned off, place one CT around each conductor, ensuring that the white dot is facing the line side.
6. Current and voltage inputs must be installed 'in phase' for accurate readings (e.g. CT1 on Line 1, CT2 on Line 2) Orientation is critical. Ensure that all CTs are properly oriented with the white label facing the line side of the circuit.

Failure to install CTs in the correct orientation and on the correct phase will lead to inaccurate meter readings.

WEB VERSION

3 INSTALLATION INSTRUCTIONS

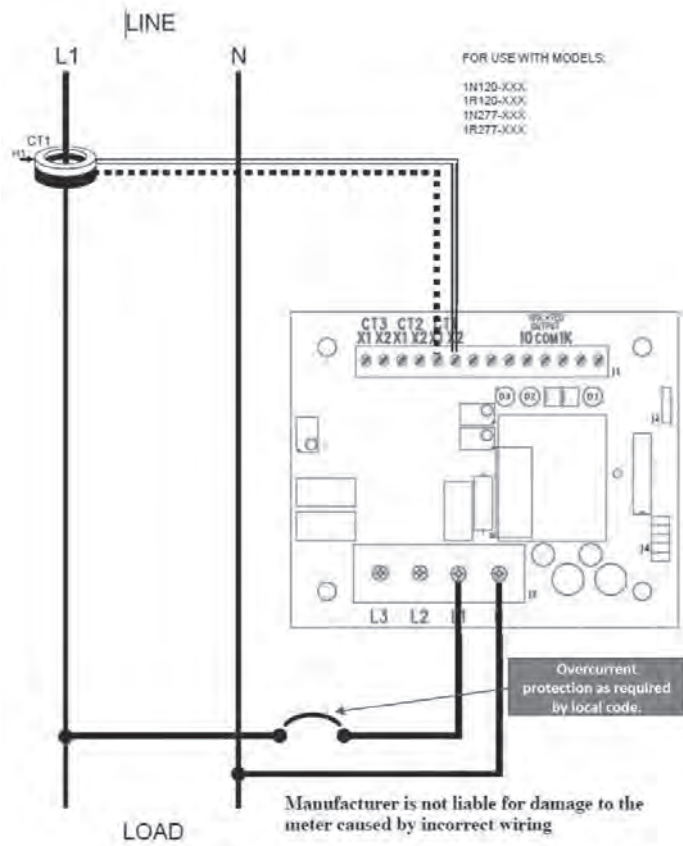


Figure 7: 1-phase, 2-wire Hookup Diagram

3 INSTALLATION INSTRUCTIONS

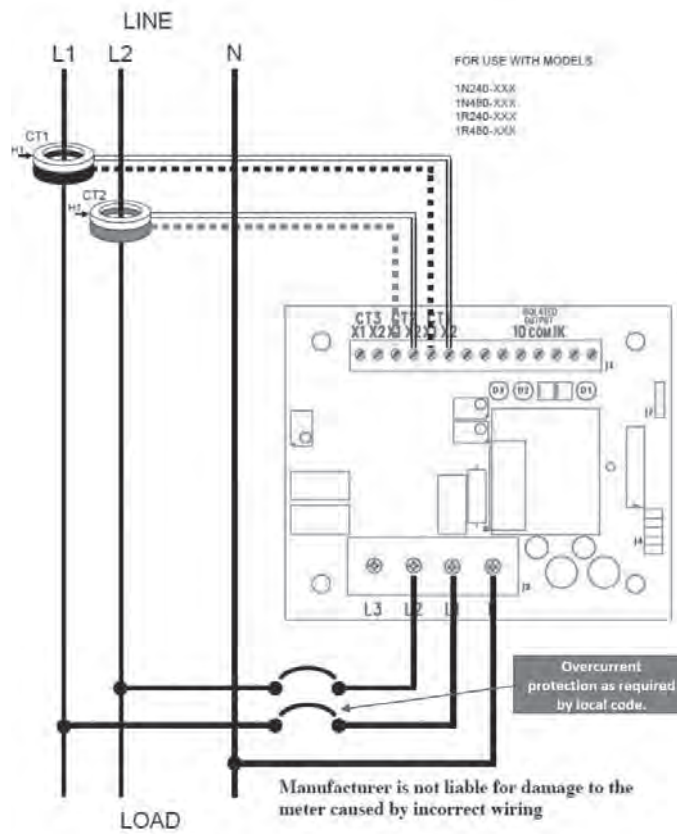


Figure 8: 1 or 2 phase, 3 wire Hookup Diagram

WEB VERSION

3 INSTALLATION INSTRUCTIONS

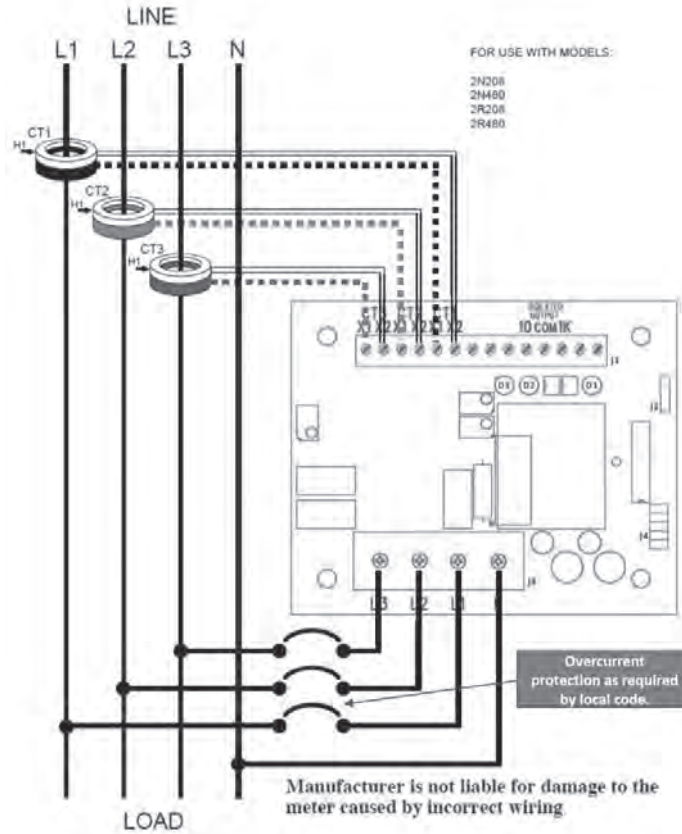


Figure 9: 3-phase, 4-wire WYE Hookup Diagram

WEB VERSION

3 INSTALLATION INSTRUCTIONS

3.8 Testing the Installation

Testing Voltage

Voltage should be tested using an AC Voltmeter to verify that the voltage across voltage line terminals (L1, L2, and L3 to Neutral) is not in excess of the maximum rated voltage.

CT Reverse Phase Indicator

Series 1000 and Series 2000 meters have a red reverse phase indicator LED as described in section 2.3. **There must be a load drawing a minimum of 1 A connected to the meter in order for the reverse phase LED to function correctly.** If this LED is on (with sufficient load), power down the voltage supply and verify that CTs are installed correctly.

Load LEDs

The load LEDs are described in section 2.3. These LEDs should be illuminating at 50% duty cycle, appropriate to the load, when the meter is connected properly, and a constant load is applied. Without a proper load, the load LEDs could be on or off.

LCD Display

The Series 1000 and 2000 display is described in Section 2.4. From this description, it is possible to determine if the kWh and/or demand values displayed on the LCD are consistent with the applied load. A load must be applied for the kWh value to show significant changes.

3.9 Securing the Enclosure

In accordance with safety requirements, enclosures must be secured using the provided key lock once installation is complete. The purpose of the lock is to prevent access to live parts that pose potential safety risks. To install the lock, slide through the provided holes on the clamp side of the enclosure and fasten securely.

4 MAINTENANCE

Properly installed meters with sound connections and secure conduit fittings should not require user maintenance. If the meter is functioning abnormally, consult the FAQ / Troubleshooting guide. If the answer cannot be found there, contact Leviton technical support.

5 TROUBLESHOOTING / FAQ

<u>Problem</u>	<u>Solution</u>
1. LCD Display not on	<ul style="list-style-type: none">• Check to make sure all connections are wired• Test the voltage being supplied to the meter using an AC voltmeter• With power off, remove any additional in-line fuses and test the circuit with the appropriate test equipment
2. Load LED not flashing	<ul style="list-style-type: none">• Verify CT connections and orientations• Make sure there is sufficient load to draw a significant current• Test the voltage being supplied to the meter using an AC voltmeter
3. Registered consumption low	<ul style="list-style-type: none">• Check to make sure the reverse phase LED is not on• Even if the reverse phase light is off, double-check CT orientations. One CT installed in the incorrect direction doesn't always illuminate the reverse phase LED• Make sure that current and voltage connections are in phase• Check power connections and fuses
4. Reverse phase LED illuminated	<ul style="list-style-type: none">• Verify orientation and connection of CT wires• Ensure that phasing is correct (CT1 on Line 1, CT2 on Line 2)• Verify that a load drawing more than 1 Amp is connected to the meter

WEB VERSION

Compteurs des séries 1000 et 2000 Manuel d'installation



WEB VERSION

PK-93856-10-00-08

TABLE DES MATIÈRES

1	Description des produits	49
1.1	Description générale.....	49
1.2	Caractéristiques.....	49
1.3	Homologations.....	49
1.4	Description physique	49
2	Caractéristiques techniques	51
2.1	Données électrotechniques	
	Table 1 - Fiche technique des compteurs de série 1000.....	51
	Table 2 - Fiche technique des compteurs de série 2000.....	52
2.2	Connexions d'entrée/de sortie et interface utilisateur.....	53
2.3	Caractéristique de l'affichage	57
3	Directives d'installation	58
3.1	Explication des symboles d'avertissement	56
3.2	Consignes de sécurité	56
3.3	Préparation	57
3.4	Liste des matériaux.....	57
3.5	Fixation du boîtier	57
3.5.1	Sélection d'un emplacement	57
3.5.2	Ouvertures de conduit	58
3.5.3	Fixation du boîtier et installation du conduit	58
3.6	Connexion des fils de ligne.....	59
3.7	Installation des transformateurs de courant.....	60
	Exigences générales.....	60
	Installation des transformateurs de courant à noyau monobloc.....	61
	Installation des transformateurs de courant à noyau ouvrant.....	61
	Figure 7 : Installations monophasées bifilaires	62
	Figure 8 : Installations monophasées ou biphasées trifilaires	63
	Figure 9 : Installations triphasées quadrifilaires, en étoile.....	64
3.8	Vérification de l'installation	65
	Vérification de la tension	65
	Indicateur d'inversion de phase des transformateurs de courant.....	65
	Témoins de charge.....	65
	Affichage à cristaux liquides.....	65
3.9	Sécurisation du boîtier.....	65
4	Maintenance	66
5	Diagnostic des anomalies/questions fréquemment posées	66
6	Coordonnées	67
7	Garantie	68

WEB VERSION

TABLE DES MATIÈRES

Liste des figures

Figure 1 : Dimensions des boîtiers en acier	49
Figure 2 : Dimensions des boîtiers en plastique.....	50
Figure 3 : Connexions d'entrée/de sortie des compteurs de séries 1000 et 2000...	53
Figure 4 : Fixation des boîtiers	58
Figure 5 : Transformateurs de courant à noyau monobloc de Leviton	60
Figure 6 : Transformateurs de courant à noyau ouvrant de Leviton.....	61
Figure 7 : Installations monophasées bifilaires.....	62
Figure 8 : Installations monophasées ou biphasées trifilaires	63
Figure 9 : Installations triphasées quadrifilaires, en étoile.....	64

Liste des tableaux

Table 1 : Fiche technique des compteurs de série 1000	51
Table 2 : Fiche technique des compteurs de série 2000	52
Table 3 : Connexions d'entrée/de sortie et témoins d'état.....	54

WEB VERSION

1 DESCRIPTION DES PRODUITS

1.1 Description générale

Les compteurs des séries 1000 et 2000 de Leviton sont des dispositifs électroniques autoalimentés à transformateurs de courant en kilowattheures (kWh) conçus pour un raccordement permanent à l'entrée d'électricité.

- Les modèles 1000 conviennent aux circuits à une phase, deux fils, ou à une ou deux phases, trois fils, tandis que les modèles 2000 vont avec les circuits à trois phases, quatre fils.
- Le présent guide s'applique aux compteurs individuels de ces gammes.
- Les compteurs décrits aux présentes ne conviennent qu'aux configurations en étoile.

1.2 Caractéristiques

- Précision convenant aux opérations de facturation (transformateurs de courant à noyau monobloc).
- Utilisation avec des transformateurs de courant à noyau monobloc de 100 mA (installation aisée de transformateurs à noyau ouvrant).
- Écran à cristaux liquides qui affiche les données relatives à la consommation en kilowattheures.
- Sorties d'impulsions isolées permettant la lecture automatique des compteurs (LAC).
- Témoin diagnostique indiquant les inversions de phase.
- Garantie de 5 ans.

1.3 Homologations

- Homologation UL aux États-Unis et au Canada.
- Conformité aux exigences en matière d'exactitude de la norme ANSI C12.10.
- Les modèles de série 2000 sont approuvés en vertu du programme CTEP de la Californie s'ils sont utilisés avec des transformateurs de courant à noyau monobloc de 100 et de 200 A.

1.4 Description physique

Les compteurs individuels des séries 1000 et 2000 sont offerts en deux modèles de boîtier :

1. en acier reconnu par le Joint Industrial Council (JIC) pour les installations intérieures (figure 1);

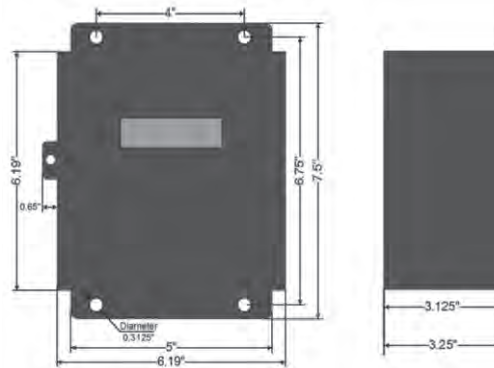


Figure 1 - Dimensions des boîtiers en acier

1 DESCRIPTION DES PRODUITS

2. 2. en plastique de type NEMA 4X (figure 2).

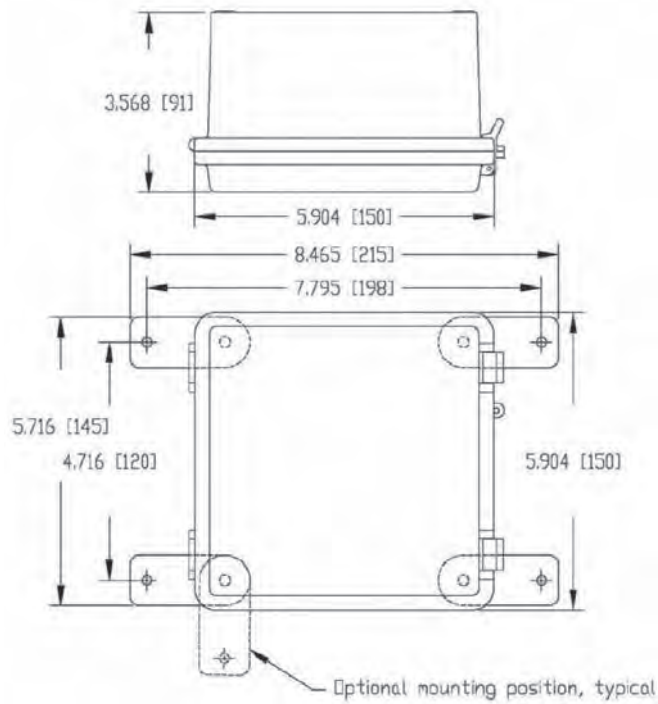


Figure 2 - Dimensions des boîtiers en plastique

WEB VERSION

2 FICHE TECHNIQUE

2.1 Données électrotechniques

Les compteurs des séries 1000 et 2000 appartiennent à la catégorie de circuit III des UL : dispositifs pour les mesures effectuées au sein de bâtiments. Leurs caractéristiques électrotechniques et environnementales apparaissent dans les tableaux 1 et 2 ci-dessous.

Fiche technique des compteurs de série 1000

Configurations des entrées	1 phase, 2 fils (120 ou 277 V)	1 ou 2 phases, 3 fils (120/208, 120/240 ou 277/480 V)
Plage de tensions d'alimentation (ligne à neutre)	102 à 138 V c.a. 235 à 320 V c.a.	102 à 138 V c.a. 235 à 320 V c.a.
Puissance d'entrée maximale	7 VA	7 VA
Courants maximaux	Primaire : courant de fonctionnement maximal + 10 % Secondaire : 0,12 A	Primaire : courant de fonctionnement maximal + 10 % Secondaire : 0,12 A
Fréquence de ligne	50/60 Hz	50/60 Hz
Plage de facteurs de puissance	0,5 à 1,0 (capacitif ou inductif)	0,5 à 1,0 (capacitif ou inductif)
Exactitude ¹	Marge de +/- 0,5 % à 1,0 pF, 1 à 100 % du courant nominal Marge de +/- 0,75 % à 0,5 pF, 1 à 100 % du courant nominal	Marge de +/- 0,5 % à 1,0 pF, 1 à 100 % du courant nominal Marge de +/- 0,75 % à 0,5 pF, 1 à 100 % du courant nominal
Températures de fonctionnement du compteur	-30 à 60° C	-30 à 60° C
Températures de fonctionnement de l'affichage	-20 à 50° C	-20 à 50° C
Niveau de pollution nominal ²	2	2
Humidité relative nominale	80 %	80%
Couples nominaux du bornier : Borne de tension et borne de TC et d'E/S	12 po-lb max. 4,4 po-lb max.	12 po-lb max. 4,4 po-lb max.

Table 1 - Fiche technique des compteurs de série 1000

¹ Modèles à noyau monobloc (compris), avec une sortie auxiliaire de 100 mA. Résistance de charge des compteurs à 2 Ω.

² Résistance aux environnements à pollution de degré 2 : on doit normalement composer avec une pollution non conductrice. Il arrive toutefois qu'une conductivité temporaire se produise par condensation.

2 FICHE TECHNIQUE

Fiche technique des compteurs de série 2000

Configurations des entrées	3 phases, 4 fils (120/208 ou 277/480 V)
Plage de tensions d'alimentation (ligne à neutre)	102 à 138 V c.a. 235 à 320 V c.a.
Puissance d'entrée maximale	7 VA
Courants maximaux	Primaire : courant de fonctionnement maximal + 10 % Secondaire : 0,12 A
Fréquence de ligne	60 Hz
Plage de facteurs de puissance	0,5 à 1,0 (capacitif ou inductif)
Exactitude ¹	Marge de +/- 0,5 % à 1,0 pF, 1 à 100 % du courant nominal Marge de +/- 0,75 % à 0,5 pF, 1 à 100 % du courant nominal
Températures de fonctionnement du compteur	-30 à 60° C
Températures de fonctionnement de l'affichage	-20 à 50° C
Niveau de pollution nominal ²	2
Humidité relative nominale	80 %
Couples nominaux du bornier : Borne de tension et borne de TC et d'E/S	12 po-lb max. 4,4 po-lb max.

Table 2 - Fiche technique des compteurs de série 2000

¹ Modèles à noyau monobloc (compris), avec une sortie auxiliaire de 100 mA. Résistance de charge des compteurs à 2 Ω.

² Résistance aux environnements à pollution de degré 2 : on doit normalement composer avec une pollution non conductrice. Il arrive toutefois qu'une conductivité temporaire se produise par condensation.

WEB VERSION

2 FICHE TECHNIQUE

2.2 Connexions d'entrée/de sortie et interface utilisateur

Les bornes d'entrée et de sortie des compteurs de séries 1000 et 2000 apparaissent à la figure 3 ci-dessous. Pour consulter les schémas de raccordement et obtenir des renseignements sur le câblage, on peut se reporter à la section 3.

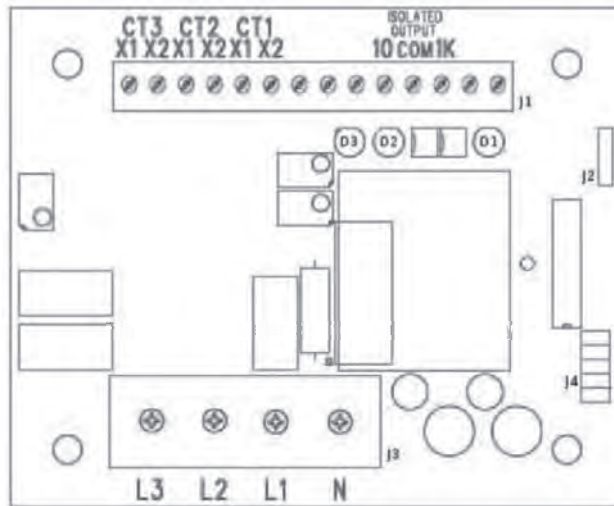


Figure 3 : Connexions d'entrée/de sortie des compteurs de séries 1000 et 2000

2 FICHE TECHNIQUE

Entrées de tension	Description
L3	Entrée de tension, ligne 3
L2	Entrée de tension, ligne 2 (modèles à trois et à quatre fils seulement)
L1	Entrée de tension, ligne 1
N	Entrée de neutre (compteur alimenté aux bornes L1 et N)
Entrées de TC (J1, côté gauche)	
CT3: X1	TC3, fil coloré (modèles à quatre fils seulement)
CT3: X2	TC3, fil blanc (modèles à quatre fils seulement)
CT2: X1	TC2, fil coloré (modèles à trois et à quatre fils seulement)
CT2: X2	TC2, fil blanc (modèles à trois et à quatre fils seulement)
CT1: X1	TC1, fil noir ou coloré du TC2
CT1: X2	TC2, fil blanc du TC1
Entrées de TC (J1, côté droit)	
10 = sortie isolée (10 Wh/P, Kh = 10)	Sortie pulsée isolée : 5 Wh sous tension, 5 Wh hors tension, reliée à ISOL COM
COM (ISOLATED OUTPUT)	Commun isolé pour sorties (10/1 000) du même type
1K = sortie isolée (1 kWh/P, Kh = 1 000)	Sortie pulsée isolée : 500 Wh sous tension, 500 Wh hors tension, reliée à ISOL COM
D3 (vert) = témoin de 1 kWh	Témoin à cycle de 50 % (à charge constante) ayant un taux d'impulsion de 1 kWh par cycle de mise sous/hors tension (500 Wh sous tension, 500 Wh hors tension). Sans charge significative, ce témoin peut être allumé ou éteint.
D2 (vert) = témoin de 10 Wh	Témoin à cycle de 50 % (à charge constante) ayant un taux d'impulsion de 10 kWh par cycle de mise sous/hors tension (5 Wh sous tension, 5 Wh hors tension). Sans charge significative, ce témoin peut être allumé ou éteint.
D1 (rouge) = témoin d'inversion de phase	S'illumine quand un problème de mise en phase surgit. Sans charge significative, ce témoin peut être allumé ou éteint. Se reporter à la section 3.7 (directives d'installation des TC).

2 FICHE TECHNIQUE

2.3 Caractéristique de l'affichage

2.3.1 Renseignements généraux

Les compteurs des séries 1000 et 2000 effectuent des mesures actives de l'énergie qui sont affichées à leur écran à une résolution de 1 kWh. Ces valeurs sont cumulatives et ne peuvent être réinitialisées. Lorsqu'on choisit l'option d'indication de la demande énergétique, les compteurs affichent des lectures instantanées. Ces valeurs sont montrées une à la fois, pendant six secondes chacune, de la manière suivante :

- l'énergie active totale, en kilowattheures (résolution cumulative de 1 kWh, non réinitialisable);
- la demande instantanée, en kilowatts (moyenne des cinq dernières minutes, à une résolution de 1/100 kW);
- la demande de pointe, en kilowatts (intervalles de demande consécutive de 15 minutes, à une résolution de 1/100 kW).

Un point sur l'écran s'aligne sur une flèche pour distinguer les deux mesures de la demande (Instantaneous et Peak). C'est après avoir affiché la demande de pointe, et avant d'afficher l'énergie active totale, que le compteur met ses segments de cristaux liquides à l'essai en les activant simultanément pendant une seconde.

2.3.2 Réinitialisation de la demande de pointe (fonction supplémentaire facultative)

La réinitialisation de la demande de pointe est une fonction supplémentaire facultative. Les compteurs ainsi configurés sont dotés d'un interrupteur à clé intégré permettant d'effectuer cette réinitialisation. Elle ne sera toutefois acceptée que durant l'intervalle où la demande de pointe est affichée. Le fait de tourner la clé de la position de verrouillage (flèche vers le haut) vers la droite et de la remettre ensuite à sa position initiale génère l'impulsion requise. La période de transition maximale est d'une seconde. Il pourrait être nécessaire de tourner la clé plusieurs fois pour arriver à faire la réinitialisation.

3 DIRECTIVES D'INSTALLATION

La section suivante contient des directives d'installation et de câblage pour les compteurs de séries 1000 et 2000 dans des boîtiers à l'intérieur ou à l'extérieur. En cas de doute ou de problème, il ne faut pas hésiter à employer les coordonnées apparaissant à la fin du présent manuel pour obtenir les renseignements requis. Leviton ne peut être tenue responsable des dommages subis par les compteurs à cause d'erreurs de câblage.

3.1. Explication des symboles d'avertissement



Indique le besoin de consulter le mode d'emploi à cause de risques potentiels.



Indique des risques de décharge électrique. Avant de procéder, il faut mettre le circuit hors tension et consulter le mode d'emploi.



Indique que l'équipement est entièrement protégé par un double isolant.

3.2. Consignes de sécurité

AVERTISSEMENTS

- **L'installation de compteurs électriques implique une exposition à des tensions possiblement dangereuses. Les présentes directives sont conçues en guise de supplément pour aider des professionnels formés et qualifiés. Le fait de ne pas respecter les présents avertissements pourrait entraîner des blessures ou la mort.**
- **POUR ÉVITER LES RISQUES D'INCENDIE, DE DÉCHARGE ÉLECTRIQUE OU D'ÉLECTROCUTION, couper toutes les sources d'alimentation des produits à installer avant de procéder à leur câblage. Se servir d'un détecteur de tension aux valeurs nominales appropriées pour effectuer cette vérification.**
- **La mise à la terre n'est pas automatique en présence de conduits métalliques; on doit s'assurer de relier l'équipement à la masse de manière distincte.**
- **L'installation doit être effectuée conformément à tous codes locaux et nationaux de l'électricité.**
- **Pour qu'ils puissent offrir les protections indiquées, les produits décrits doivent être utilisés conformément aux présentes directives.**

3 DIRECTIVES D'INSTALLATION

3.3 Préparation

- Vérifier le numéro de modèle et les caractéristiques électriques du dispositif afin de confirmer qu'il convient à l'utilisation qu'on prévoit en faire (voir la section 2).
- Consulter les codes locaux pour déterminer la nécessité de se pourvoir en permis ou de se soumettre à des inspections avant de commencer les travaux.
- S'assurer que les conduits employés conviennent à l'installation prévue. (Les installations extérieures requièrent des conduits et raccords de type UL 4X.)
- S'assurer que tous les outils qui serviront à l'installation présentent le niveau d'isolation nominal requis.
- Inspecter les compteurs et l'intérieur du panneau de branchement pour y déceler les fils exposés ou brisés, les composants endommagés ou les raccords desserrés.

3.4 Liste des matériaux

- Compteur de série 1000 ou 2000, boîtier et éléments de fixation requis.
- Fils de raccordement aux lignes 1, 2 et 3, selon le type de circuit électrique.
- Les fils doivent être d'un calibre de 18 AWG ou plus gros, et être pourvus d'un isolant pouvant au moins résister à une tension de 600 V c.a. Les bornes des compteurs acceptent les fils d'un calibre pouvant atteindre 14 AWG.
- Transformateurs de courant (TC) : ces produits sont conçus pour fonctionner avec la gamme de TC à noyau monobloc ou ouvrant de 100 mA de Leviton.
- Conduits et raccords en fonction des besoins. (Les installations extérieures requièrent des produits de type UL 4X.)

3.5 Fixation du boîtier

3.5.1 Sélection d'un emplacement

- Les compteurs des séries 1000 et 2000 requièrent la présence d'un disjoncteur ou d'un sectionneur de courant dans le bâtiment.
- Ce disjoncteur ou ce sectionneur doit être marqué comme leur étant dédié.
- On recommande de fixer le boîtier près du disjoncteur/sectionneur, à un endroit adéquatement ventilé.
- Le boîtier doit être placé de façon à ne pas réduire l'accessibilité du disjoncteur sectionneur.
- Les fils de tension et de transformation du courant (de même que les conduits) doivent être suffisamment longs pour relier le logement au tableau de distribution.
- Si on ne peut trouver un emplacement convenable près du tableau de distribution, il pourrait être nécessaire d'ajouter des fusibles ou disjoncteurs montés sur conducteurs, conformément aux exigences des codes de l'électricité.

3 DIRECTIVES D'INSTALLATION

3.5.2 Ouvertures de conduit

Boîtiers en acier

Les boîtiers en acier des compteurs de séries 1000 et 2000 sont pourvus d'une débouchure de 1 1/16 po (26,9 mm) en dessous pour les conduits de 3/4 po (19,1 mm), et d'une débouchure de 7/8 po (22,4 mm) sur le dessus pour les conduits de 1/2 po (12,7 mm). Pour ouvrir ces débouchures, il faut se servir d'un tournevis ordinaire (ou d'un autre objet rigide) pour perforer les entailles avant d'arracher et de jeter la partie amovible.

Boîtiers pour l'extérieur

Il est préférable de choisir le panneau du bas ou la moitié inférieure des panneaux latéraux pour faire passer les conduits dans des boîtiers de compteur individuel pour l'extérieur. L'ouverture doit faciliter le plus possible l'installation selon l'emplacement choisi. Si on emploie les panneaux latéraux, les trous devraient être centrés à environ un demi-pouce (12,7 mm) du bas du boîtier. La taille de ces trous dépend des raccords utilisés, mais ils doivent être suffisamment grands pour accepter tous les fils de tension et de transformation de courant (de quatre à dix fils de calibre 18 AWG au moins, dotés d'un isolant capable de supporter au moins 600 V). On doit prendre soin de ne pas endommager les composants intérieurs avec la mèche de la perceuse. **Il est à noter que les installations extérieures requièrent des produits de type UL 4X.**

3.5.3 Fixation du boîtier et installation du conduit

1. Dans le cas de boîtiers pour l'extérieur, fixer les supports de montage à l'arrière au moyen des quatre vis fournies (figure 4).
2. Fixer le boîtier sur la surface choisie en employant les trous (boîtiers en acier) ou les supports (boîtiers en plastique).
3. S'assurer que le boîtier est fermement fixé et que toutes les connexions sont solides.
4. Installer un conduit entre le boîtier et le panneau, en acheminant les fils requis pour un usage ultérieur.
5. S'assurer que les raccords du conduit sont bien alignés et serrés afin d'empêcher la pénétration d'humidité dans le boîtier (installations extérieures).



Figure 4 – Fixation des boîtiers

3 DIRECTIVES D'INSTALLATION

3.6 Connexion des fils de ligne



POUR ÉVITER LES RISQUES D'INCENDIE, DE DÉCHARGE ÉLECTRIQUE OU D'ÉLECTROCUTION, s'assurer que l'alimentation est coupée avant d'effectuer les connexions.





Les connexions de ligne doivent être effectuées conformément à l'article 240 du National Electrical Code (NEC) américain et aux exigences de tous les autres codes de l'électricité locaux.

1. Raccorder des fils de calibre 18 AWG au moins, dotés d'un isolant résistant à 600 V minimum aux endroits correspondant à la ligne et au neutre dans le panneau à disjoncteur, conformément à tous les codes locaux et nationaux de l'électricité.
2. Acheminer les fils dans le conduit si ce n'est pas encore fait.
3. Couper les fils à une longueur permettant d'éviter les boucles et le mou.
4. Dénuder au besoin les fils sur environ 0,3 po (7,5 mm) et les connecter aux bornes appropriées. Les raccords devraient être solides, mais pas trop serrés, puisqu'ils pourraient comprimer et affaiblir les conducteurs.

3 DIRECTIVES D'INSTALLATION

3.7 Installation des transformateurs de courant

 POUR RÉDUIRE LES RISQUES D'INCENDIE, DE DÉCHARGE ÉLECTRIQUE OU D'ÉLECTROCUTION, il faut toujours ouvrir ou déconnecter le circuit depuis le panneau de branchement du bâtiment avant d'installer ou de manipuler un TC.

 Conformément au NEC, on ne peut installer un TC sur un panneau où il prend plus de 75 % de l'espace de câblage de n'importe quelle section transversale.

Exigences générales :

- Les épissures des fils de sortie des TC doivent être effectuées dans le boîtier des compteurs, et non à l'intérieur du conduit. Les TC de Leviton sont dotés de fils de sortie de 48 po (122 cm). Leur isolant devrait être enlevé de manière à ce que la longueur des brins dénudés à raccorder aux borniers ne dépasse jamais 0,3 po (7,5 mm).
- Les TC doivent être solidement fixés de manière à ce qu'ils ne glissent pas sur des bornes actives.
- Les raccords devraient être solides, mais pas trop serrés, puisqu'ils pourraient comprimer et affaiblir les conducteurs.
- Les entrées de courant et de tension doivent être installées « en phase » pour assurer des lectures exactes (c'est-à-dire TC1 raccordé à la ligne 1 et TC2 raccordé à la ligne 2). L'orientation est critique; il faut s'assurer que les côtés ligne et charge de tous les TC sont dans le bon sens.

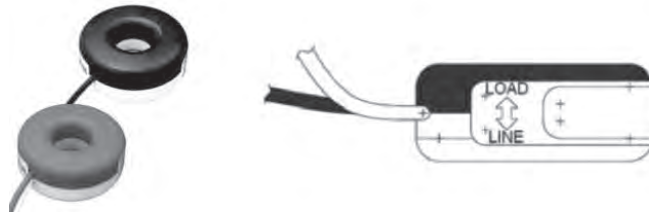


Figure 5 : Transformateurs de courant à noyau monobloc de Leviton

3 DIRECTIVES D'INSTALLATION

Installation des transformateurs de courant à noyau monobloc

1. Acheminer les fils du TC dans le conduit si ce n'est pas encore fait.
2. Couper les fils à une longueur permettant d'éviter les boucles et le mou.
3. Dénuder les fils sur environ 0,3 po (7,5 mm) et les connecter aux bornes appropriées, de la manière décrite plus haut.
4. Alors que le courant est toujours coupé, déconnecter chacun des conducteurs contrôlés et y glisser un TC, en s'assurant que celui-ci est bien orienté (voir ci-dessus).
5. Reconnecter les conducteurs.

Si on n'oriente pas les TC de la bonne façon ou si on ne les installe pas sur la bonne phase, on obtiendra des lectures erronées.



Figure 6 : Transformateurs de courant à noyau ouvrant de Leviton

Installation des transformateurs de courant à noyau ouvrant

1. Acheminer les fils secondaires du TC dans le conduit si ce n'est pas encore fait.
2. Couper les fils à une longueur permettant d'éviter les boucles et le mou.
3. Dénuder les fils sur environ 0,3 po (7,5 mm).
4. Raccorder les fils du TC au compteur approprié, comme on l'indique plus haut.
5. Alors que le courant est encore coupé, placer un TC autour de chaque conducteur, en s'assurant que le point blanc est face au côté ligne.
6. Les entrées de courant et de tension doivent être installées « en phase » pour assurer des lectures exactes (c'est-à-dire TC1 raccordé à la ligne 1 et TC2 raccordé à la ligne 2). L'orientation est critique; il faut s'assurer que l'étiquette blanche de tous les TC fait face au côté ligne du circuit.

Si on n'oriente pas les TC de la bonne façon ou si on ne les installe pas sur la bonne phase, on obtiendra des lectures erronées.

WEB VERSION

3 DIRECTIVES D'INSTALLATION

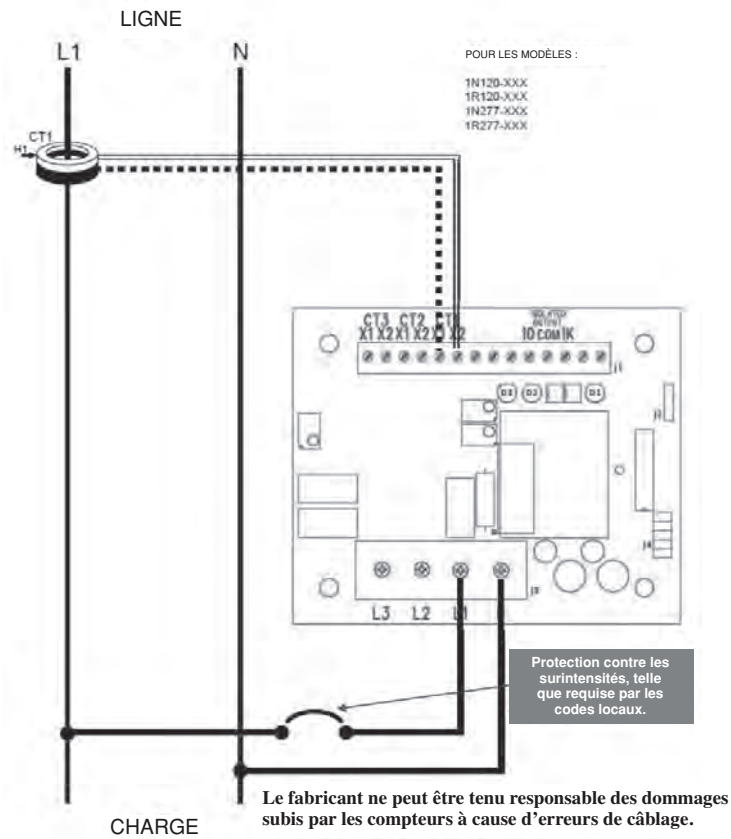


Figure 7 : Installations monophasées bifilaires

3 DIRECTIVES D'INSTALLATION

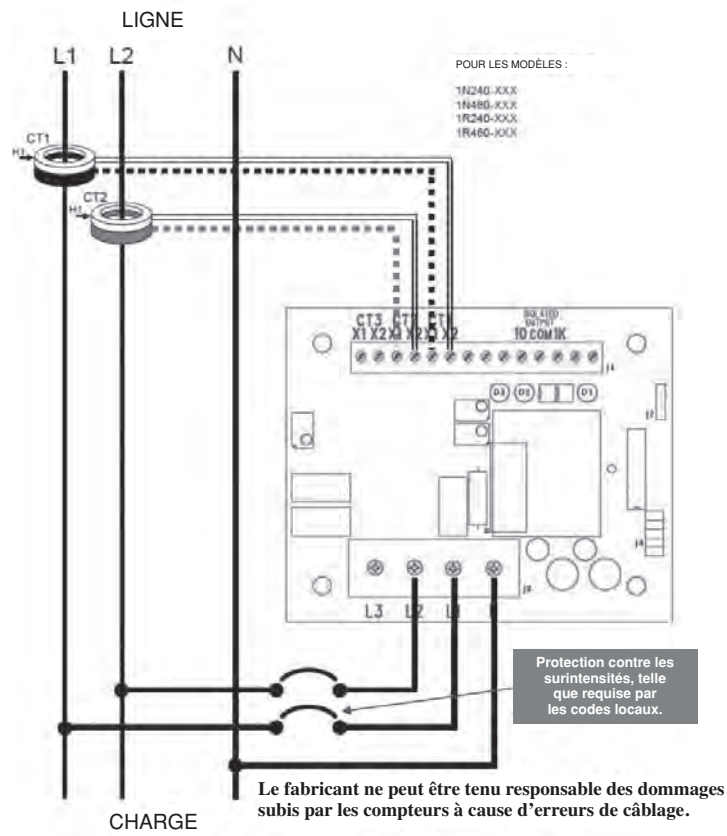


Figure 8 : Installations monophasées ou biphasées trifilaires

WEB VERSION

3 DIRECTIVES D'INSTALLATION

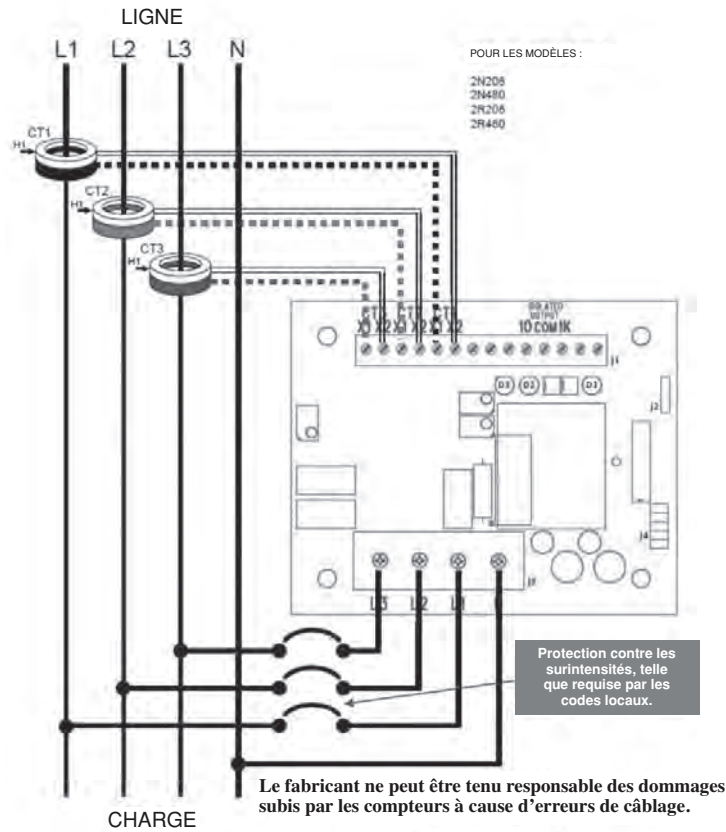


Figure 9 : Installations triphasées quadrifilaires, en étoile

WEB VERSION

3 DIRECTIVES D'INSTALLATION

3.8 Vérification de l'installation

Vérification de la tension

On doit se servir d'un voltmètre de courant alternatif pour s'assurer que la tension entre les bornes L1, L2, et L3 au neutre ne dépasse pas les valeurs nominales.

Indicateur d'inversion de phase des transformateurs de courant

Les compteurs des séries 1000 et 2000 sont dotés d'un indicateur d'inversion de phase (se reporter à la section 2.3). **Pour que ce témoin fonctionne bien, il faut qu'on ait raccordé au compteur une charge tirant un minimum d'un ampère.** Une fois cette condition respectée, si l'indicateur s'allume, il faut couper l'alimentation et s'assurer que les TC sont correctement installés.

Témoins de charge

Les témoins de charge sont décrits à la section 2.3. Ils devraient s'allumer à un facteur de marche de 50 %, selon la charge, quand le compteur est bien raccordé et une charge constante est appliquée. Sans cette charge, les témoins peuvent être allumés ou éteints.

Affichage à cristaux liquides

L'affichage des compteurs des séries 1000 et 2000 est décrit à la section 2.4. En lisant cette description, on peut déterminer si les valeurs d'énergie active et de demande affichées correspondent à la charge appliquée. Il faut qu'il y ait une charge pour que les valeurs en kWh puissent changer de manière significative.

3.9 Sécurisation du boîtier

Conformément aux exigences en la matière, les boîtiers doivent être sécurisés au moyen d'un verrou à clé une fois leur installation terminée. Ce verrou vise à bloquer l'accès aux pièces sous tension potentiellement dangereuses. Pour le poser, il faut le glisser dans les trous prévus à cette fin du côté clenches du boîtier et l'assujettir solidement.

4 MAINTENANCE

S'ils ont été correctement installés, bien connectés et dotés de raccords de conduit solides, les compteurs ne devraient requérir aucun entretien. S'ils ne fonctionnent pas normalement, il faut d'abord consulter la section relative au diagnostic des anomalies et des questions fréquemment posées. Si on ne trouve pas de solution, on peut communiquer avec le personnel de soutien technique de Leviton.

5 DIAGNOSTIC D'ANOMALIES/QUESTIONS FRÉQUEMMENT POSÉES

<u>Problème</u>	<u>Solution</u>
1. L'écran ne s'allume pas	<ul style="list-style-type: none">• Vérifier que les raccords sont effectués.• Vérifier la tension d'alimentation du compteur au moyen d'un voltmètre de courant alternatif.• Après avoir coupé le courant, retirer tous les fusibles montés sur conducteur et vérifier le circuit au moyen des instruments appropriés.
2. Le témoin de charge ne clignote pas	<ul style="list-style-type: none">• Vérifier les connexions et l'orientation des TC.• S'assurer que la charge est assez importante pour tirer un courant significatif.• Vérifier la tension d'alimentation du compteur au moyen d'un voltmètre de courant alternatif.
3. La consommation enregistrée est faible	<ul style="list-style-type: none">• S'assurer que le témoin d'inversion de phase est bien éteint.• Si le témoin d'inversion de charge est éteint, vérifier quand même l'orientation des TC (si un seul transformateur est mal orienté, il se pourrait que le témoin ne s'allume pas).• S'assurer que les entrées de courant et de tension sont en phase.• Vérifier les fusibles et les connexions d'alimentation.
4. Le témoin d'inversion de phase est allumé	<ul style="list-style-type: none">• Vérifier les connexions et l'orientation des TC.• S'assurer que les dispositifs sont en phase (TC1 sur la ligne 1 et TC2 sur la ligne 2).• S'assurer qu'une charge tirant plus d'un ampère est raccordée au compteur.

WEB VERSION

Manual de Instalación Serie 1000 y Serie 2000



WEB VERSION

PK-93856-10-00-08

CONTENIDO

1 Descripción del Producto.....	27
1.1 Descripción General	27
1.2 Características del Medidor	27
1.3 Certificaciones de Medidor	27
1.4 Descripción Física	27
2 Especificaciones Técnicas.....	29
2.1 Especificaciones Eléctricas	
Tabla 1 – Especificaciones Eléctricas Serie 1000	29
Tabla 2 – Especificaciones Eléctricas Serie 2000	30
2.2 Conexiones de Entrada/Salida y Pantalla del Usuario	31
2.3 Especificaciones de la Pantalla	33
3 Instrucciones de Instalación.....	34
3.1 Explicación de los Símbolos de Advertencia	34
3.2 Precauciones de Seguridad.....	34
3.3 Preparación	35
3.4 Lista de Materiales.....	35
3.5 Montaje de la Caja.....	35
3.5.1 Selección de la Ubicación del Montaje.....	35
3.5.2 Orificios del Conducto	36
3.5.3 Procedimiento de Montaje e Instalación del Conducto	36
3.6 Instalación de las Líneas de Voltaje	37
3.7 Instalación de los Transformadores de Corriente	38
Requisitos Generales	38
Instalación de TC de Núcleo Sólido	39
Instalación de TC de Núcleo Dividido	39
Figura 7: Diagrama del Sistema de Conexión 1 fase, 2 cables	40
Figura 8: Diagrama del Sistema de Conexión 1 ó 2 fases, 3 cables.....	41
Figura 9: Diagrama del Sistema de Conexión en "Y", 3 fases, 4 cables	42
3.8 Prueba de la Instalación	43
Voltaje de Prueba	43
Indicador de Fase Inversa del TC	43
LED de Carga.....	43
Pantalla LCD	43
3.9 Sujeción de la Caja.....	43
4 Mantenimiento.....	44
5 Detección y Corrección de Fallas/Preguntas Frecuentes.....	44
6 Información de Contacto.....	45
7 Garantía.....	68

WEB VERSION

CONTENIDO

Lista de Figuras

Figura 1: Dimensiones de la Caja de Acero	27
Figura 2: Dimensiones de la Caja de Plástico	28
Figura 3: Conexiones de Entrada/Salida de Series 1000/2000.....	31
Figura 4: Montaje de la Caja	36
Figura 5: TC de Núcleo Sólido de Leviton.....	38
Figura 6: TC de Núcleo Dividido de Leviton	39
Figura 7: Diagrama del Sistema de Conexión 1 fase, 2 cables.....	40
Figura 8: Diagrama del Sistema de Conexión 1 ó 2 fases, 3 cables.....	41
Figura 9: Diagrama del Sistema de Conexión en "Y", 3 fases, 4 cables.....	42

Lista de Tablas

Tabla 1: Especificaciones Eléctricas Serie 1000	29
Tabla 2: Especificaciones Eléctricas Serie 2000	30
Tabla 3: Conexiones de Entrada/Salida e Indicadores de Estado.....	32

WEB VERSION

1 DESCRIPCIÓN DEL PRODUCTO

1.1 Descripción General

- Los medidores Series 1000 y 2000 de Leviton son medidores electrónicos autoalimentados, con clasificación de transformador de corriente (TC) en kilovatios-hora (kWh), diseñados para conexión permanente a un servicio eléctrico.
- Los medidores Serie 1000 están diseñados para servicios de 1 fase, 2 cables, y 1 ó 2 fases, 3 cables, mientras que Los medidores Serie 2000 están diseñados para servicios de 3 fases, 4 cables.
 - Esta guía es para utilizarse con las unidades individuales Series 1000 y 2000.
 - Estos medidores son adecuados para configuraciones en "Y" únicamente.

1.2 Características del Medidor

- Precisión tipo comercial con TC de núcleo sólido.
- Se utiliza con TC de núcleo sólido de 100mA, o de núcleo dividido fáciles de instalar.
- Pantalla LCD integrada que muestra datos de kWh.
- Salidas de impulsos aislados compatibles con Lectura Automática del Medidor (AMR).
- Indicador de diagnóstico de fase inversa.
- Garantía de 5 años.

1.3 Certificaciones del medidor

- Aprobado por UL para uso en los Estados Unidos y Canadá.
- Cumple con los requisitos de precisión estipulados en ANSI C12.10.
- Los medidores Serie 2000 están aprobados por el CTEP de California con TC de núcleo sólido de 100A y 200A.

1.4 Descripción Física

- Los medidores Serie 1000 y Serie 2000 individuales están disponibles en dos cajas: 1. En la Figura 1 se muestran las cajas de acero JIC grado industrial para instalaciones en interiores.

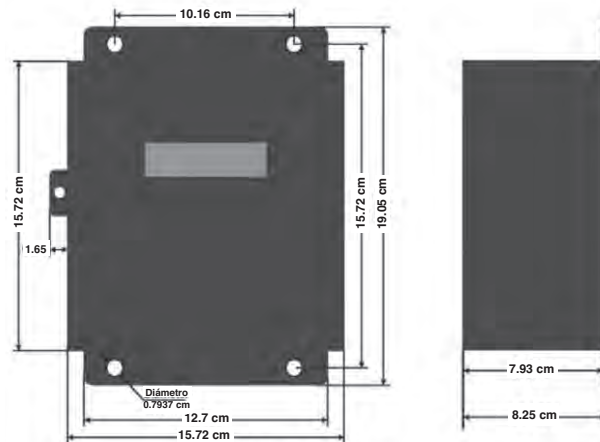


Figura 1: Dimensiones de la Caja de Acero

1 DESCRIPCIÓN DEL PRODUCTO

2. En la Figura 2 se muestran las cajas de plástico NEMA 4X.

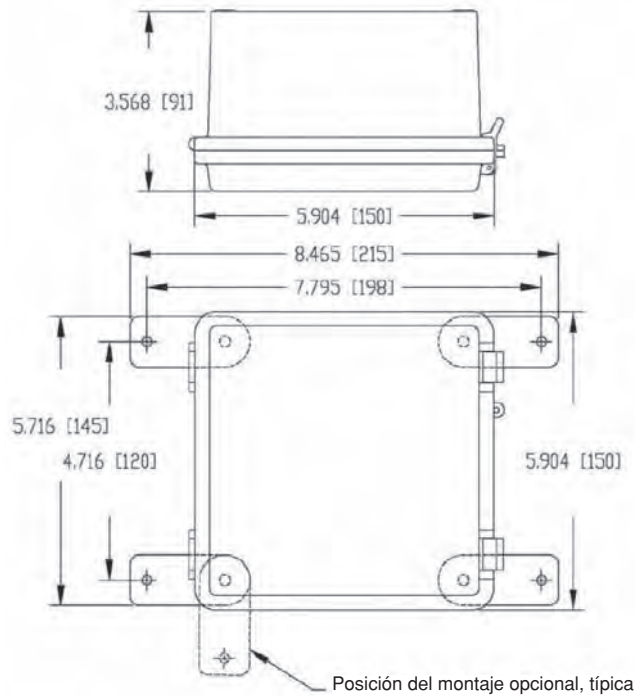


Figura 2: Dimensiones de la Caja de Plástico

WEB VERSION

2 ESPECIFICACIONES TÉCNICAS

2.1 Especificaciones Eléctricas

Los Medidores Serie 1000 y Serie 2000 se encuentran bajo la Categoría III de Circuitos UL: dispositivos para mediciones realizadas en la instalación de edificios. Las especificaciones eléctricas y ambientales para los medidores Serie 1000 y Serie 2000 se proporcionan en la Tabla 1 y Tabla 2 a continuación.

Especificaciones Eléctricas Serie 1000

Configuraciones de Entrada	1 Fase, 2 Cables (120V ó 277V)	1 ó 2 Fases, 3 Cables (120/208V, 120/240V, ó 277/480V)
Rango del Voltaje de Suministro (Línea a Neutral)	102-138 VCA 235-320 VCA	102-138 VCA 235-320 VCA
Potencia de Entrada Máxima	7VA	7VA
Corriente Nominal Máxima	Primaria: Corriente Operativa Máxima +10% Secundaria: 0.12A	Primaria: Corriente Operativa Máxima +10% Secundaria: 0.12A
Frecuencia de la Línea	50-60Hz	50-60Hz
Rango del Factor de Potencia	0.5 a 1.0 Adelantado o Desfasado	0.5 a 1.0 Adelantado o Desfasado
Precisión ¹	+/- 0.5% de registro @ 1.0 PF, 1% a 100% de corriente nominal +/- 0.75% de registro @ 0.5 PF, 1% a 100% de corriente nominal	+/- 0.5% de registro @ 1.0 PF, 1% a 100% de corriente nominal +/- 0.75% de registro @ 0.5 PF, 1% a 100% de corriente nominal
Temperatura Operativa del Medidor	-30 a 60° C	-30 a 60° C
Temperatura Operativa de la Pantalla	-20 a 50° C	-20 a 50° C
Grado de Contaminación Clasificada ²	2	2
Humedad Relativa Clasificada	80%	80%
Clasificaciones de Torsión del Bloque de Terminales: Terminal de Voltaje TC y Terminal de Entrada/Salida	2.14 kg-cm (12 pulg-lb) máximo 0.78 kg-cm (4.4 pulg-lb) máximo	2.14 kg-cm (12 pulg-lb) máximo 0.78 kg-cm (4.4 pulg-lb) máximo

Tabla 1 – Especificaciones Eléctricas Serie 1000

¹ Precisión basada en transformadores de corriente con núcleo sólido de Leviton (incluido), con salida secundaria de 100 mA. La resistencia a la carga de entrada del medidor debe estar en 2 Ohmios.

² Grado de Contaminación 2: Por lo general, sólo ocurre contaminación no conductora. Sin embargo, de manera ocasional, debe esperarse una conductividad temporal causada por la condensación.

WEB VERSION

2 ESPECIFICACIONES TÉCNICAS

Especificaciones Eléctricas Serie 2000

Configuraciones de Entrada	3 Fases, 4 Cables (120/208V ó 277/480V)
Rango del Voltaje de Suministro (Línea a Neutral)	102-138VCA 235-320VCA
Potencia de Entrada Máxima	7VA
Corriente Nominal Máxima	Primaria: Corriente Operativa Máxima +10% Secundaria: 0.12A
Frecuencia de la Línea	60Hz
Rango del Factor de Potencia	0.5 a 1.0 Adelantado o Desfasado
Precisión ¹	+/- 0.5% de registro @ 1.0 PF, 1% a 100% de corriente nominal +/- 0.75% de registro @ 0.5 PF, 1% a 100% de corriente nominal
Temperatura Operativa del Medidor	-30 a 60° C
Temperatura Operativa de la Pantalla	-20 a 50° C
Grado de Contaminación Clasificada ²	2
Humedad Relativa Clasificada	80%
Clasificaciones de Torsión del Bloque de Terminales: Terminal de Voltaje TC y Terminal de Entrada/Salida	2.14 kg-cm (12 pulg-lb) máximo 0.78 kg-cm (4.4 pulg-lb) máximo

Tabla 2 – Especificaciones Eléctricas Serie 2000

¹ Precisión basada en transformadores de corriente con núcleo sólido de Leviton (incluido), con salida secundaria de 100 mA. La resistencia a la carga de entrada del medidor debe estar en 2 Ohmios.

² Grado de Contaminación 2: Por lo general, sólo ocurre contaminación no conductora. Sin embargo, de manera ocasional, debe esperarse una conductividad temporal causada por la condensación.

WEB VERSION

2 ESPECIFICACIONES TÉCNICAS

2.2 Conexiones de Entrada/Salida y Pantalla del Usuario

Las terminales de entrada y salida para los medidores Serie 1000 y Serie 2000 se muestran más adelante en la Figura 3. Para los diagramas de conexión e información sobre el cableado consulte la Sección 3.

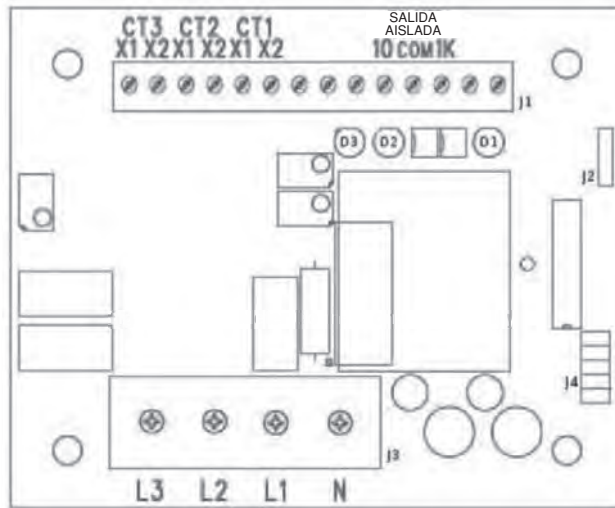


Figura 3: Conexiones de Entrada/Salida de Series 1000/2000

WEB VERSION

2 ESPECIFICACIONES TÉCNICAS

Entradas de Voltaje	Descripción
L3	Entrada de Voltaje Línea 3
L2	Entrada de Voltaje Línea 2 (modelos de 3 cables y 4 cables únicamente)
L1	Entrada de Voltaje Línea 1
N	Entrada Neutral (Medidor accionado desde L1 y N)
Entradas TC (J1, Lado Izquierdo)	
TC3: X1	Entrada del Transformador de Corriente TC3. Cable de colores de TC3 (modelos de 4 cables únicamente).
TC3: X2	Entrada del Transformador de Corriente TC3. Cable blanco de TC3 (modelos de 4 cables únicamente).
TC2: X1	Entrada del Transformador de Corriente TC2. Cable de colores de TC2 (modelos de 3 cables y 4 cables únicamente).
TC2: X2	Entrada del Transformador de Corriente TC2. Cable blanco de TC2 (modelos de 3 cables y 4 cables únicamente).
TC1: X1	Entrada del Transformador de Corriente TC1. Cable negro o de colores de TC2.
TC1: X2	Entrada del Transformador de Corriente TC2. Cable blanco de TC1.
Entradas TC (J1, Lado Derecho)	
10, Salida Aislada (10 Wh/P, Kh= 10)	Salida de impulsos aislados: 5 vatios-hora encendido, 5 vatios-hora apagado, referido a COMUN AISLADA.
COM, Salida Aislada	Común aislada para salidas aisladas de 10/1000
1K, Salida Aislada (1 kWh/P, Kh= 1000)	Salida de impulsos aislados: 500 vatios-hora encendido, 500 vatios-hora apagado, referido a COMUN AISLADA.
LED 1 kWh (D3 – Verde)	LED de ciclo de trabajo del 50% (con carga constante) con una velocidad de impulso de 1 kWh por ciclo de encendido/apagado (500 vatios/hora encendido, 500 vatios/hora apagado). En ausencia de carga significativa, el LED podría estar encendido, o apagado.
LED 10 Wh (D2 – Verde)	LED de ciclo de trabajo del 50% (con carga constante) con una velocidad de impulso de 10 kWh por ciclo de encendido/apagado (5 vatios/hora encendido, 5 vatios/hora apagado). En ausencia de carga significativa, el LED podría estar encendido, o apagado.
LED Fase Inversa (D1 – Rojo)	Se ilumina cuando existe un problema con la sincronización del medidor. En ausencia de carga significativa, el LED podría estar encendido, o apagado. Consulte la Sección 3.7 para las instrucciones de instalación del TC.

WEB VERSION

2 ESPECIFICACIONES TÉCNICAS

2.3 Especificaciones de la Pantalla

2.3.1 Información General de la Pantalla

Los medidores Serie 1000 y Serie 2000 proporcionan mediciones de energía activa, que se despliegan en la pantalla LCD en resolución de 1 kWh. Estos valores son acumulativos y no pueden ser reajustados. Cuando se configuran con la opción de demanda de energía, los medidores proporcionan lecturas instantáneas en la pantalla LCD integrada. Estos valores se despliegan uno a la vez, durante seis segundos cada uno, de la siguiente manera:

- Energía Activa Total, en kWh (resolución de 1 kWh, acumulativa, no reajutable).
- Demanda Instantánea, en Kilovatios (promedio últimos 5 minutos, resolución de 1/100 kW).
- Demanda Pico: Kilovatios (intervalo de demanda de actualización de 15 minutos, resolución de 1/100 kW).

Un punto en la pantalla LCD se alinea con una flecha en la etiqueta de la pantalla para diferenciar entre la demanda instantánea y la demanda pico. Después de desplegar la demanda pico y antes de desplegar la energía total, el medidor prueba la pantalla LCD activando todos los segmentos de manera simultánea durante un segundo.

2.3.2 Reajuste de la Demanda Pico (característica adicional opcional)

Una característica opcional adicional es el reajuste de la Demanda Pico. Los medidores configurados con la opción de Reajuste de la Demanda Pico tienen un interruptor de llave integrado que se utiliza para reajustar la demanda pico. Un comando de reajuste de la demanda únicamente será reconocido durante el período en el que la demanda pico se despliega en la pantalla LCD. Con el fin de reajustar la demanda, debe generarse un impulso girando el interruptor de llave desde la posición de bloqueo (flecha hacia arriba) a la derecha y después de regreso a la posición original. Esta transición hacia atrás y hacia adelante produce un ajuste de la demanda. El período de transición máximo es de un segundo. Pueden ser necesarias varias transiciones del interruptor de llave durante el intervalo de despliegue de la demanda pico para reajustar la demanda pico.

3 INSTRUCCIONES DE INSTALACIÓN

La siguiente sección contiene las instrucciones de instalación y cableado para los medidores Serie 1000 y Serie 2000 de Leviton en caja ya sea para interiores o para exteriores. En caso de que se requiera asistencia técnica en cualquier punto durante la instalación, la información de contacto se encuentra en la parte final de este manual. Leviton no será responsable por daños al medidor ocasionados por un cableado incorrecto.

3.1. Explicación de los Símbolos de Advertencia



Indica la necesidad de consultar el manual de operación debido a la presencia de un riesgo potencial.



Indica la presencia de riesgos de choque eléctrico. Antes de continuar, desconecte el circuito y consulte el manual de operación.



Indica que el equipo está protegido por completo por medio de un aislamiento doble.

3.2. Precauciones de Seguridad

ADVERTENCIA

- Para la instalación de medidores eléctricos se requiere trabajar con voltajes que pueden ser peligrosos. Estas instrucciones tienen el propósito de servir como complemento para ayudar a profesionales calificados y capacitados. El no cumplir con estas advertencias puede dar como resultado lesiones serias o la muerte.
- PARA EVITAR FUEGO, DESCARGA ELÉCTRICA O MUERTE, desconecte toda la electricidad que alimenta al equipo antes de realizar cualquier operación de cableado. Utilice un dispositivo detector de voltaje de clasificación adecuada para confirmar que la energía está apagada.
- La conexión no es automática para conexiones de conductos metálicos, deberá suministrarse una conexión separada.
- Las instalaciones deben llevarse a cabo de conformidad con los códigos locales y los requisitos del Código Eléctrico Nacional en curso.
- El equipo utilizado de una manera no especificada por este documento perjudica la protección proporcionada por el equipo.

WEB VERSION

3 INSTRUCCIONES DE INSTALACIÓN

3.3 Preparación

- Verifique el número de modelo y las especificaciones eléctricas del dispositivo que se está instalando para confirmar que son adecuadas para el servicio eléctrico previsto (vea Sección 2).
- Consulte los códigos locales para cualquier posible permiso o inspección requeridos antes de iniciar los trabajos eléctricos.
- Asegúrese de que el conducto para la instalación sea adecuado para la aplicación prevista. Se requiere un conducto y accesorios del conducto Tipo 4X certificados por UL para aplicaciones en exteriores.
- Asegúrese de que todas las herramientas que serán utilizadas durante la instalación tengan clasificaciones adecuadas de aislamiento.
- Observe el medidor y el interior del panel eléctrico para verificar posibles cables expuestos, cables rotos, componentes dañados o conexiones sueltas.

3.4 Lista de Materiales

- Medidores Serie 1000 y Serie 2000, caja y materiales de montaje asociados.
- Cables de conexión de Línea 1, Línea 2, Línea 3 y Neutral según sea necesario para el servicio eléctrico.
- Los cables deben ser 18 AWG o más grandes y aislados para 600 VCA mínimo. Las terminales del medidor aceptarán un cableado de hasta 14 AWG.
- Transformadores de Corriente (TC): Este producto está diseñado para utilizarse con TC de núcleo sólido y núcleo dividido serie 100mA de Leviton.
- Conducto y accesorios según sea adecuado. El conducto y los accesorios Tipo 4X certificados por UL deben utilizarse para aplicaciones en exteriores con el fin de mantener la clasificación de la instalación.

3.5 Montaje de la Caja

3.5.1 Selección de la Ubicación del Montaje

- Los medidores Serie 1000 y Serie 2000 requieren un interruptor o disyuntor como parte de la instalación del edificio.
- El interruptor o disyuntor deben estar marcados como el dispositivo de desconexión para el medidor.
- Se recomienda que la caja sea montada cerca del dispositivo de desconexión en un área con ventilación adecuada.
- La caja no debe estar colocada en una posición que dificulte la operación del dispositivo de desconexión.
- Asegúrese de que el TC y las longitudes del cable de voltaje (y longitudes del conducto) puedan llegar hasta la caja desde el centro de carga.
- En caso de que no pueda encontrar una ubicación adecuada para el montaje cerca del centro de carga, puede requerirse un disyuntor o fusibles en línea adicionales de acuerdo con los reglamentos de NEC.

3 INSTRUCCIONES DE INSTALACIÓN

3.5.2 Aberturas del Conducto

Caja de Acero

La caja de acero de la Serie 1000 y Serie 2000 se suministra con un agujero ciego de 2.70 cm (1- 1/16 pulgadas) (conducto de 1.90 cm [3/4 pulgadas]) en la parte inferior de la caja, y un agujero ciego de 2.22 cm (7/8 pulgadas) (conducto de 1.27 cm [1/2 pulgada]) en la parte superior de la caja. Para retirar un agujero ciego, utilice un destornillador de cabeza plana (u otro dispositivo rígido) para perforar primero las hendiduras, y después quite y deseche el agujero ciego.

Caja para Exteriores

El panel inferior y la mitad inferior de los paneles laterales funcionan mejor como sitios para abrir conductos en cajas del medidor único en exteriores. Seleccione la ubicación que facilite la instalación de los cables para el entorno determinado. En caso de que se utilicen paneles laterales, los orificios deben estar centrados aproximadamente a 1.27 cm (media pulgada) de la parte inferior de la caja. Los tamaños de los orificios deben ser adecuados para los accesorios, y lo suficientemente grandes para dar cabida a todo el cableado del voltaje y el TC (4-10 cables 18 AWG mínimo aislados para 600 V mínimo). Debe tener cuidado de que la broca del taladro no toque los componentes dentro de la caja. **Se debe utilizar un conducto y accesorios Tipo 4X certificados por UL con el fin de mantener la clasificación para exteriores de la caja.**

3.5.3 Procedimiento de Montaje e Instalación del Conducto

1. En las cajas para exteriores, fije los soportes de montaje a la parte posterior de la caja con los cuatro tornillos suministrados tal como se muestra en la Figura 4.
2. Asegure la caja a la superficie seleccionada utilizando los orificios de montaje suministrados (caja de acero) o los soportes de montaje (caja de plástico).
3. Verifique que la caja no quede suelta y que todas las conexiones estén firmes.
4. Fije el conducto entre la caja y el centro de carga, enrutando los cables según sea necesario para uso posterior.
5. Asegúrese de que los accesorios del conducto estén alineados de manera adecuada y apretados con firmeza para evitar que entre humedad a la caja (aplicaciones en exteriores).

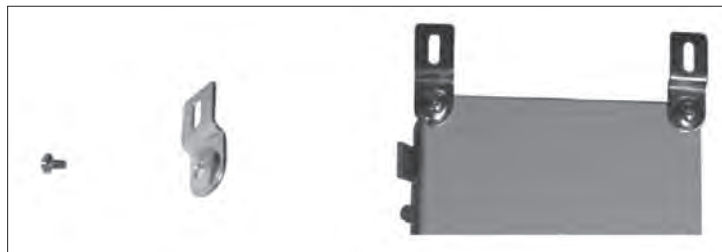


Figura 4: Montaje de la Caja

3 INSTRUCCIONES DE INSTALACIÓN

3.6 Instalación de las Líneas de Voltaje



PARA EVITAR FUEGO, DESCARGA ELÉCTRICA O LA MUERTE, compruebe que el servicio esté desconectado antes de realizar cualquier conexión.



Las conexiones del voltaje deben realizarse de conformidad con NEC Sección 240 y cualquier otro requisito del código eléctrico local.

1. Conecte el cableado aislado de 18 AWG mínimo, 600 V mínimo, para los voltajes en Línea y Neutral hacia las ubicaciones adecuadas en el panel del disyuntor, de conformidad con todos los códigos eléctricos nacionales y locales.
2. Enrute los cables a través del conducto en caso de que todavía no lo haya realizado.
3. Corte el cable a la longitud adecuada para evitar rollos de cableado excesivo.
4. Pele los cables aproximadamente 0.762 cm (.300 pulgadas) en caso de ser necesario y conecte a las terminales adecuadas. Los cables deben estar apretados de tal manera que se mantengan ajustados en su lugar, pero no debe apretarlos en exceso ya que esto puede comprimir y debilitar el conductor.

3 INSTRUCCIONES DE INSTALACIÓN

3.7 Instalación de los Transformadores de Corriente



PARA EVITAR FUEGO, DESCARGA ELÉCTRICA O LA MUERTE, siempre abra o desconecte el circuito del sistema de distribución de electricidad de un edificio antes de instalar o dar mantenimiento a los transformadores de corriente.



De conformidad con NEC, los TC no pueden ser instalados en cualquier tablero de control en el que excedan el 75% del espacio de cableado de cualquier área transversal.

Requisitos Generales:

- Los empalmes en los cables del TC deben estar dentro de la caja del medidor, no en el interior del conducto. Los TC de Leviton son suministrados con cables estándares de 121.92 cm (48 pulgadas). El aislamiento del cable debe ser pelado de tal manera que la longitud del conductor desnudo que se conecta al bloque de terminales del medidor no exceda de 0.762 cm (0.300 pulgadas).
- Los TC deben ser fijados de manera segura de tal manera que no se deslicen hacia abajo a las terminales activas.
- Los cables deben estar apretados de tal manera que se mantengan ajustados en su lugar, pero no debe apretarlos en exceso ya que esto puede comprimir y debilitar el conductor.
- Las entradas de corriente y voltaje deben ser instaladas "en fase" para asegurar lecturas exactas (por ejemplo, TC1 en Línea 1, TC2 en Línea 2). La orientación es fundamental. Asegúrese de que todos los TC estén orientados de manera adecuada con la línea y la carga, de acuerdo a lo marcado.

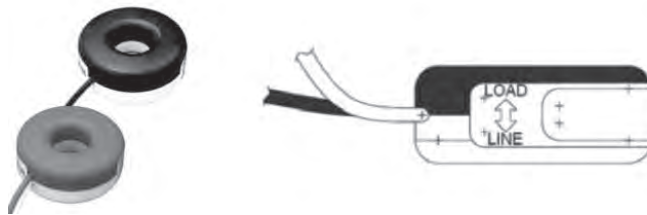


Figura 5: TC de Núcleo Sólido de Leviton

3 INSTRUCCIONES DE INSTALACIÓN

Instalación de TC de Núcleo Sólido

1. Enrute los cables del TC a través del conducto en caso de que todavía no lo haya realizado.
2. Corte el cable a la longitud adecuada para evitar rollos de cableado excesivo.
3. Pele los cables aproximadamente 0.762 cm (.300 pulgadas) y conecte a las terminales adecuadas tal como se describe anteriormente.
4. Con la electricidad apagada, desconecte cada conductor monitoreado y deslice hacia adentro el TC, asegurándose de que el TC esté orientado correctamente tal como se indica arriba.
5. Vuelva a conectar los conductores.

Si no se instalan los TC en la orientación correcta y la fase correcta, esto dará como resultado lecturas del medidor inexactas.



Figura 6: TC de Núcleo Dividido de Leviton

Instalación de TC de Núcleo Dividido

1. Enrute los cables secundarios del TC a través del conducto en caso de que todavía no lo haya realizado.
2. Corte el cable a la longitud adecuada para evitar rollos de cableado excesivo.
3. Pele los cables aproximadamente 0.762 cm (.300 pulgadas).
4. Conecte los cables del TC al medidor adecuado tal como se describe anteriormente.
5. Con la electricidad apagada a los conductores, coloque un TC alrededor de cada conductor, asegurándose de que el punto blanco quede frente al lado de la línea.
6. Las entradas de corriente y voltaje deben ser instaladas "en fase" para asegurar lecturas exactas (por ejemplo, TC1 en Línea 1, TC2 en Línea 2). La orientación es fundamental. Asegúrese de que todos los TC estén orientados de manera adecuada con la etiqueta blanca frente al lado de la línea del circuito.

Si no se instalan los TC en la orientación correcta y la fase correcta, esto dará como resultado lecturas del medidor inexactas.

WEB VERSION

3 INSTRUCCIONES DE INSTALACIÓN

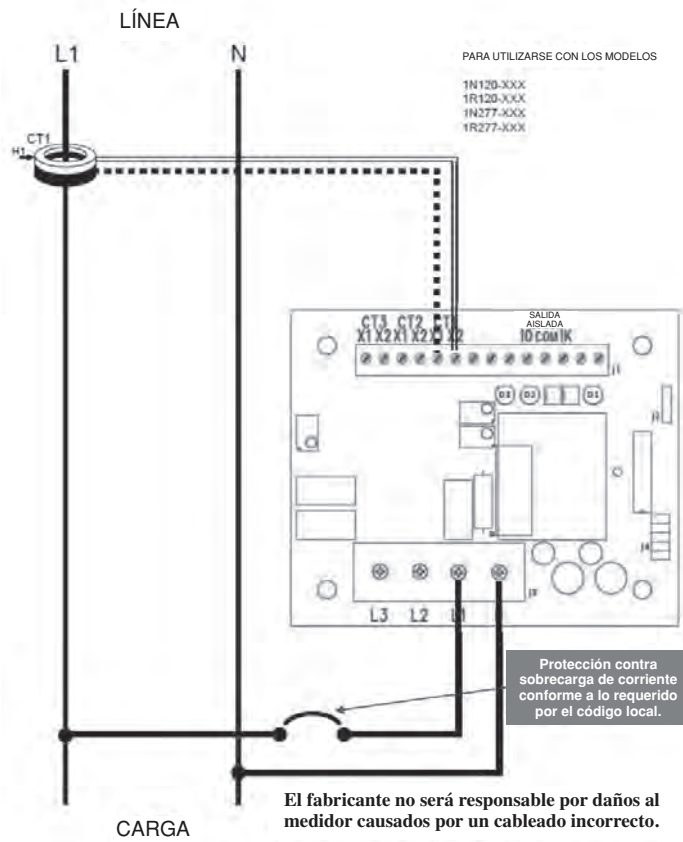


Figura 7: Diagrama del Sistema de Conexión de 1 Fase, 2 Cables

3 INSTRUCCIONES DE INSTALACIÓN

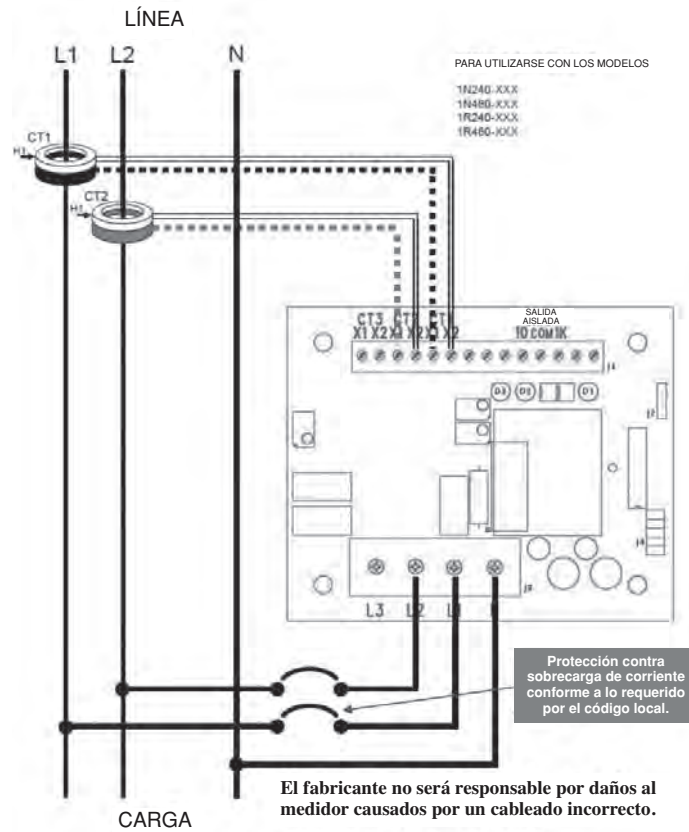


Figura 8: Diagrama del Sistema de Conexión de 1 ó 2 Fases, 3 Cables

3 INSTRUCCIONES DE INSTALACIÓN

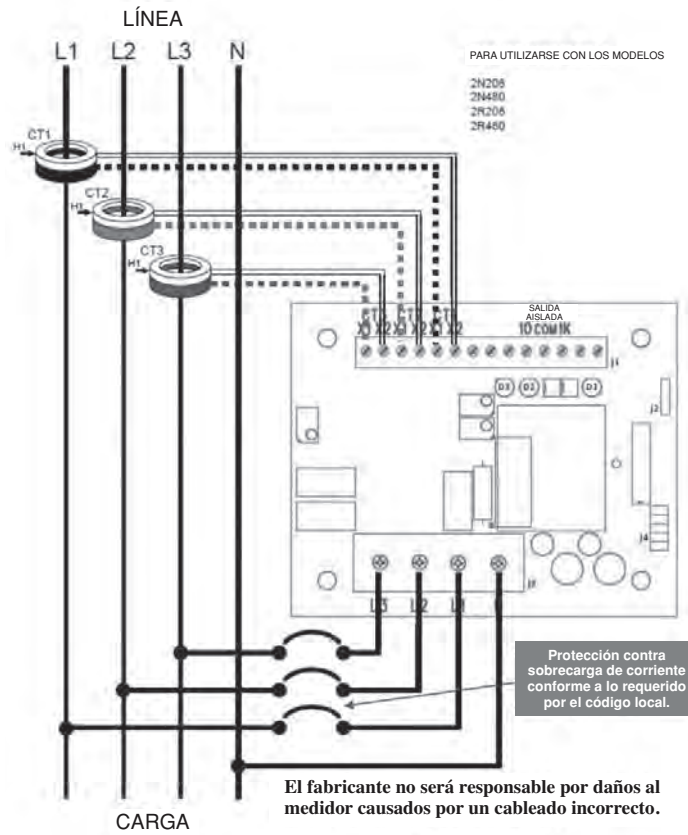


Figura 9: Diagrama del Sistema de Conexión en "Y", 3 Fases, 4 Cables

WEB VERSION

3 INSTRUCCIONES DE INSTALACIÓN

3.8 Prueba de la Instalación

Prueba del Voltaje

El voltaje debe ser probado utilizando un Voltímetro CA para verificar que el voltaje a través de las terminales de la línea de voltaje (L1, L2 y L3 a Neutral) no exceda el voltaje nominal máximo.

Indicador de Fase Inversa del TC

Los medidores Serie 1000 y Serie 2000 tienen un LED indicador de fase inversa color rojo tal como se describe en la Sección 2.3. **Debe existir una carga que atraiga un mínimo de 1A conectada al medidor con el fin de que el LED de fase inversa funcione correctamente.** Si este LED está encendido (con carga suficiente), desconecte el suministro de voltaje y verifique que los TC estén instalados correctamente.

LED de Carga

Los LED de carga se describen en la Sección 2.3. Estos LED deben iluminarse con un ciclo de trabajo del 50%, apropiado para la carga, cuando el medidor esté conectado adecuadamente y se aplique una carga constante. Sin una carga adecuada, los LED de carga podrían estar encendidos o apagados.

Pantalla LCD

La pantalla Serie 1000 y Serie 2000 se describe en la Sección 2.4. A partir de esta descripción, es posible determinar si los valores de kWh y/o demanda desplegados en la pantalla LCD concuerdan con la carga aplicada. Debe aplicarse una carga para el valor de kWh con el fin de mostrar cambios significativos.

3.9 Sujeción de la Caja

De acuerdo a los requisitos de seguridad, las cajas deben sujetarse utilizando el bloqueo con llave suministrado una vez que la instalación está completa. El propósito del bloqueo es impedir el acceso a las partes energizadas que representan riesgos de seguridad potenciales. Para instalar el bloqueo, deslice a través de los orificios suministrados en el lado de la abrazadera de la caja y sujete firmemente.

4 MANTENIMIENTO

Los medidores instalados adecuadamente con conexiones sólidas y accesorios del conducto bien sujetos no deben necesitar mantenimiento por parte del usuario. En caso de que el medidor no esté funcionando normalmente, consulte la guía de Detección y Corrección de Fallas / Preguntas Frecuentes. Si no encuentra la respuesta en la guía, póngase en contacto con Soporte Técnico de Leviton.

5 DETECCIÓN Y CORRECCIÓN DE FALLAS / PREGUNTAS FRECUENTES

<u>Problema</u>	<u>Solución</u>
1. La pantalla LCD no se ilumina	<ul style="list-style-type: none">• Revise para asegurarse de que todas las conexiones estén cableadas.• Pruebe el voltaje que se está suministrando al medidor utilizando un voltímetro CA.• Con la electricidad apagada, retire cualquier fusible en línea adicional y pruebe el circuito con el equipo de prueba adecuado.
2. El LED de carga no parpadea	<ul style="list-style-type: none">• Verifique las conexiones y orientaciones del TC.• Asegúrese de que existe suficiente carga para atraer una corriente significativa.• Pruebe el voltaje que se está suministrando al medidor utilizando un voltímetro CA.
3. Consumo bajo registrado	<ul style="list-style-type: none">• Revise para asegurarse de que el LED de fase inversa no está encendido.• Aun cuando la luz de la fase inversa esté apagada, vuelva a revisar las orientaciones del TC. Un TC instalado en la dirección incorrecta no siempre ilumina el LED de fase inversa.• Asegúrese de que las conexiones de la corriente y voltaje estén en fase.• Revise las conexiones eléctricas y fusibles.
4. LED de fase inversa iluminado	<ul style="list-style-type: none">• Verifique la conexión y orientación de los cables del TC.• Asegúrese de que la sincronización de fases esté correcta (TC1 en Línea 1, TC2 en Línea 2).• Verifique que esté conectada al medidor una carga que atraiga más de 1 Amperio.

7 WARRANTY / GARANTIE / GARANTÍA

LIMITED 5 YEAR WARRANTY AND EXCLUSIONS

Leviton warrants to the original consumer purchaser and not for the benefit of anyone else that this product at the time of its sale by Leviton is free of defects in materials and workmanship under normal and proper use for five years from the purchase date. Leviton's only obligation is to correct such defects by repair or replacement, at its option. This warranty excludes and there is disclaimed liability for labor for removal of this product or reinstallation. This warranty is void if this product is installed improperly or in an improper environment, overloaded, misused, opened, abused, or altered in any manner, or is not used under normal operating conditions or not in accordance with any labels or instructions. **There are no other or implied warranties of any kind, including merchantability and fitness for a particular purpose, but if any implied warranty is required by the applicable jurisdiction, the duration of any such implied warranty, including merchantability and fitness for a particular purpose, is limited to five years. Leviton is not liable for incidental, indirect, special, or consequential damages, including without limitation, damage to, or loss of use of, any equipment, lost sales or profits or delay or failure to perform this warranty obligation.** The remedies provided herein are the exclusive remedies under this warranty, whether based on contract, tort or otherwise.

GARANTIE LIMITÉE DE 5 ANS ET EXCLUSIONS

Leviton garantit au premier acheteur, et uniquement au crédit du dit acheteur, que ce produit ne présente ni défauts de fabrication ni défauts de matériaux au moment de sa vente par Leviton, et n'en présentera pas tant qu'il est utilisé de façon normale et adéquate, pendant une période de 5 ans suivant la date d'achat. La seule obligation de Leviton sera de corriger les dits défauts en réparant ou en remplaçant le produit défectueux si ce dernier est retourné port payé, accompagné d'une preuve de la date d'achat, avant la fin de la dite période de 5 ans. Par cette garantie, Leviton exclut et décline toute responsabilité envers les frais de main d'oeuvre encourus pour retirer et réinstaller le produit. Cette garantie sera nulle et non avenue si le produit est installé incorrectement ou dans un environnement inadéquat, s'il a été surchargé, incorrectement utilisé, ouvert, employé de façon abusive ou modifié de quelle que manière que ce soit, ou s'il n'a été utilisé ni dans des conditions normales ni conformément aux directives ou étiquettes qui l'accompagnent. **Aucune autre garantie, explicite ou implicite, y compris celle de qualité marchande et de conformité au besoin, n'est donnée, mais si une garantie implicite est requise en vertu de lois applicables, la dite garantie implicite, y compris la garantie de qualité marchande et de conformité au besoin, est limitée à une durée de 5 ans. Leviton décline toute responsabilité envers les dommages indirects, particuliers ou consécutifs, incluant, sans restriction, la perte d'usage d'équipement, la perte de ventes ou les manques à gagner, et tout dommage-intérêt découlant du délai ou du défaut de l'exécution des obligations de cette garantie.** Seuls les recours stipulés dans les présentes, qu'ils soient d'ordre contractuel, délictuel ou autre, sont offerts en vertu de cette garantie.

GARANTIA LIMITADA POR CINCO AÑOS Y EXCLUSIONES

Leviton garantiza al consumidor original de sus productos y no para beneficio de nadie más que este producto en el momento de su venta por Leviton esta libre de defectos en materiales o fabricación por un periodo de cinco años desde la fecha de la compra original. La única obligación de Leviton es corregir tales defectos ya sea con reparación o reemplazo, como opción. Esta garantía excluye y renuncia toda responsabilidad de mano de obra por remover o reinstalar este producto. Esta garantía es inválida si este producto es instalado inapropiadamente o en un ambiente inadecuado, sobrecargado, mal usado, abierto, abusado o alterado en cualquier manera o no es usado bajo condiciones de operación normal, o no conforme con las etiquetas o instrucciones. **No hay otras garantías implicadas de cualquier otro tipo, incluyendo mercadotecnia y propiedad para un propósito en particular pero si alguna garantía implicada se requiere por la jurisdicción pertinente, la duración de cualquiera garantía implicada, incluyendo mercadotecnia y propiedad para un propósito en particular, es limitada a cinco años. Leviton no es responsable por daños incidentales, indirectos, especiales o consecuentes, incluyendo sin limitación, daños a, o pérdida de uso de, cualquier equipo, pérdida de ventas o ganancias o retraso o falla para llevar a cabo la obligación de esta garantía.** Los remedios provistos aquí son remedios exclusivos para esta garantía, ya sea basado en contrato, agravio o de otra manera.

SÓLO PARA MÉXICO

Garantiza este producto por el término de un año en todas sus partes y mano de obra contra cualquier defecto de fabricación y funcionamiento a partir de la fecha de entrega o instalación del producto bajo las siguientes **CONDICIONES**:

- Para hacer efectiva esta garantía, no podrán exigirse mayores requisitos que la presentación de esta póliza junto con el producto en el lugar donde fue adquirido en cualquiera de los centros de servicio que se indican a continuación.
- La empresa se compromete a reemplazar o cambiar el producto defectuoso sin ningún cargo para el consumidor, los gastos de transportación que se deriven de su cumplimiento serán cubiertos por: LEVITON S de RL de CV.
- El tiempo de reemplazo en ningún caso será mayor a 30 días contados a partir de la recepción del producto en cualquiera de los sitios en donde pueda hacerse efectiva la garantía.
- Cuando se requiera hacer efectiva la garantía mediante el reemplazo del producto, esto se podrá llevar a cabo en: LEVITON S de RL de CV.
- Esta garantía no es válida en los siguientes casos: A) Cuando el producto ha sido utilizado en condiciones distintas a las normales. B) Cuando el producto no ha sido operado de acuerdo con el instructivo de uso en idioma español proporcionado. C) Cuando el producto ha sido alterado o reparado por personas no autorizadas por LEVITON S de RL de CV.
- El consumidor podrá solicitar que se haga efectiva la garantía ante la propia casa comercial donde adquirió el producto.
- En caso de que la presente garantía se extraviara el consumidor puede recurrir a su proveedor para que se le expida otra póliza de garantía previa presentación de la nota de compra o factura respectiva.

DATOS DEL USUARIO	
NOMBRE: _____	DIRECCION: _____
COL: _____	C.P. _____
CIUDAD: _____	
ESTADO: _____	
TELEFONO: _____	
DATOS DE LA TIENDA O VENDEDOR	
RAZON SOCIAL: _____	PRODUCTO: _____
MARCA: _____	MODELO: _____
NO DE SERIE: _____	
NO. DEL DISTRIBUIDOR: _____	
DIRECCION: _____	
COL: _____	C.P. _____
CIUDAD: _____	
ESTADO: _____	
TELEFONO: _____	
FECHA DE VENTA: _____	
FECHA DE ENTREGA O INSTALACION: _____	

© 2018 Leviton Mfg. Co., Inc.