

# INSTRUCTIONS

## Splash Shields Catalog No. F24966 Series

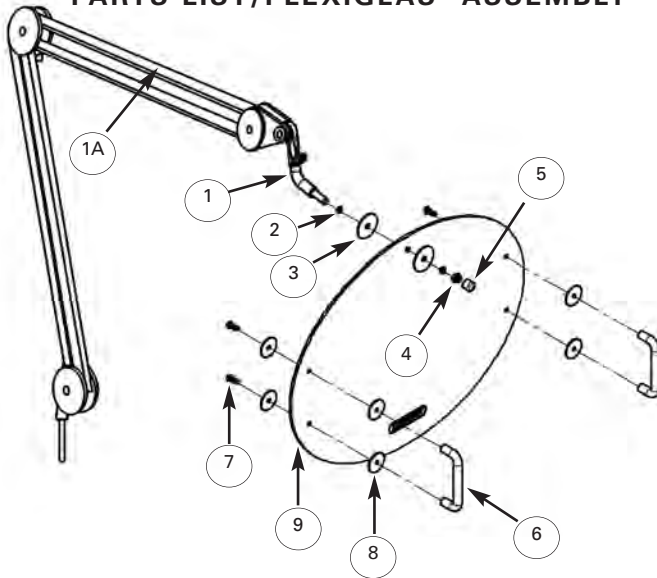
### SINGLE ARM SHIELD

1 arm with neck fitting  
2 handles with bolts/washers  
(these shields need 1 attachment bracket!)

### TWIN ARM SHIELD

2 arms with neck fittings  
2 handles with bolts/washers  
(these shields need 2 attachment brackets!)

### PARTS LIST/PLEXIGLAS® ASSEMBLY



### PART NUMBER AND QUANTITY

- |                           |                         |
|---------------------------|-------------------------|
| 1A. Arm (1).              | 5. Cap, Red (1).        |
| 1. Neck (1).              | 6. Handle (2).          |
| 2. Washer, Lock (2).      | 7. Screw (4).           |
| 3. Washer, 1.25 O.D. (2). | 8. Washer, 1" O.D. (8). |
| 4. Lock Nut (1).          | 9. Shield, Oval (1).    |

**NOTE: ALL SHIELDS NEED ATTACHMENT BRACKETS!**

**WEIGHTED BASE  
ADAPTER**  
F24966-0008



See opposite  
side for assembly.

**FIXED TABLE  
BRACKET**  
F24966-0006



**C CLAMP**  
F24966-0005

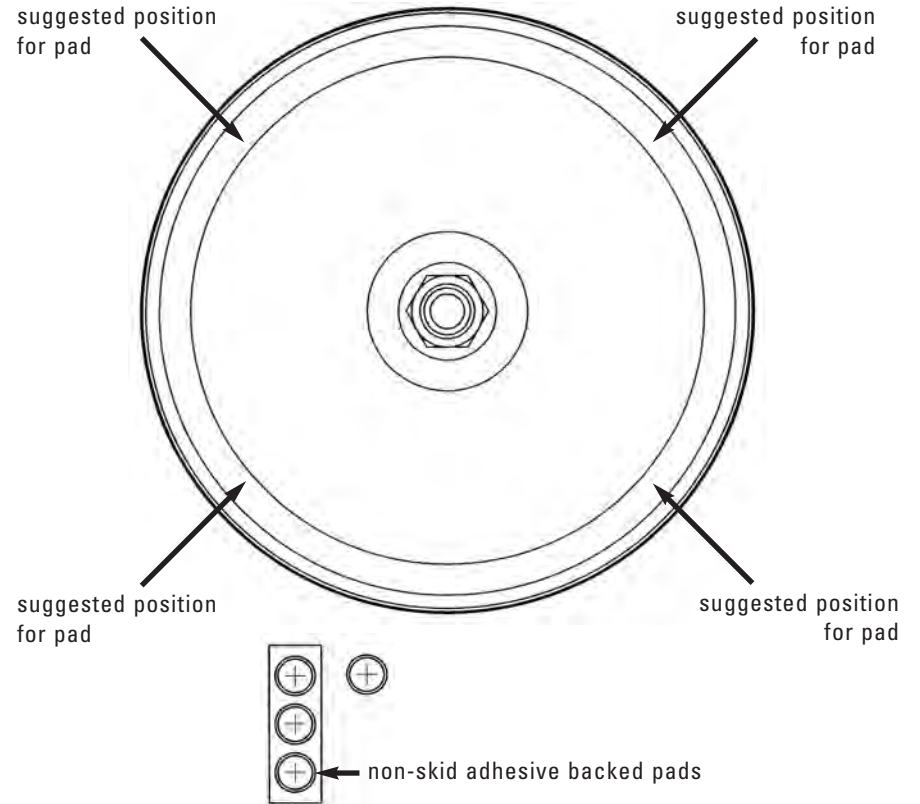


**WALL  
BRACKET**  
F24966-0007



# INSTRUCTIONS

## Weighted Base Bracket Catalog No. 24966-0008



1. Apply the four (4) non-skid adhesive backed pads, included with your Scienceware® Weighted Base Bracket, to the four positions on the underside of the base.
2. Insert the shield arm into the receptor on the upper side of the weighted base.

924966109

Scienceware® is a reg. TM of Bel-Art Products  
Bel-Art Products assumes no obligation or liability for any advice furnished by it, or for results obtained with respect to these products. All such advice is given and accepted at the buyer's risk.

08/12

