

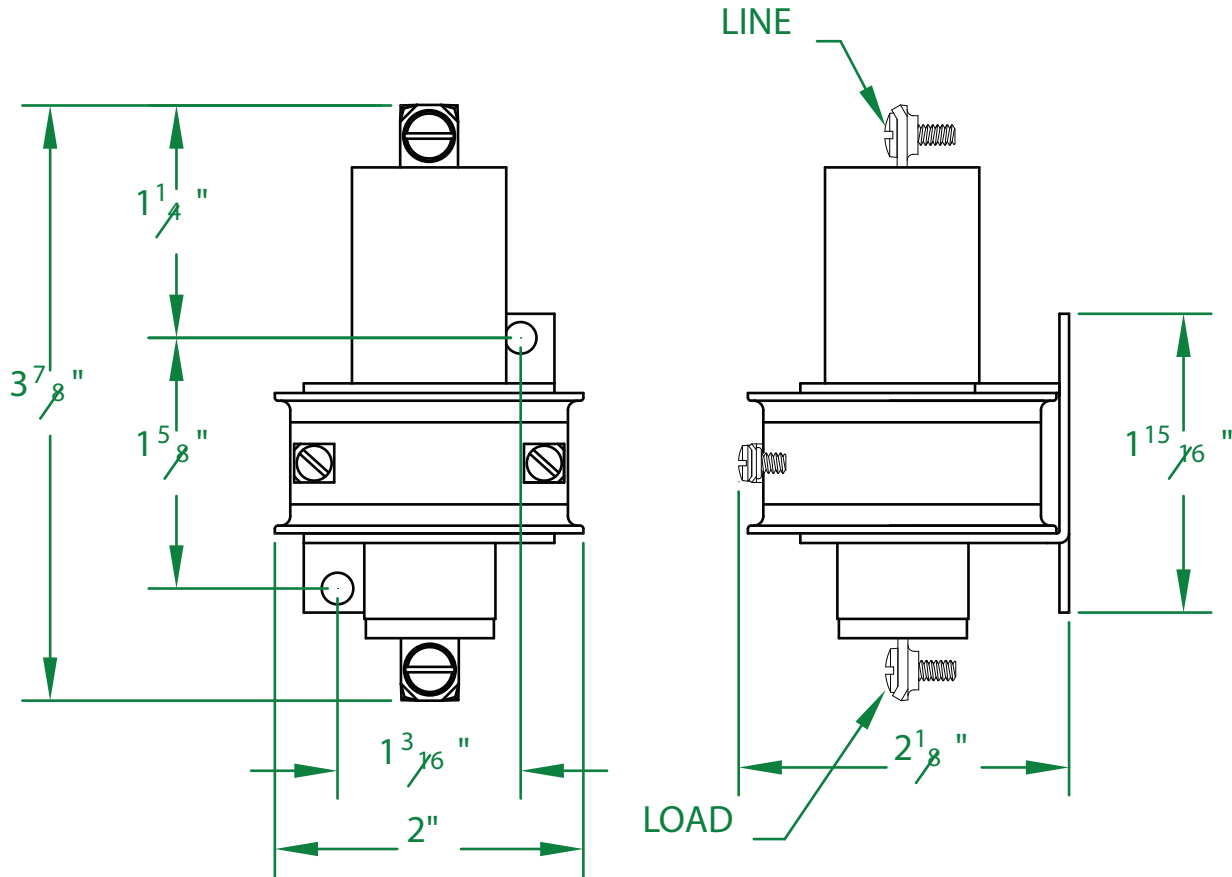


MERCURY DISPLACEMENT INDUSTRIES, INC.



INDUSTRIAL CONTROL EQUIPMENT

# 30NO-120A



- \* CONTACT RESISTANCE .003 ohms
- \* DIELECTRIC WITHSTAND 2,500 VAC RMS
- \* OPERATE TIME 50 MILLISECONDS
- \* RELEASE TIME 80 MILLISECONDS
- \* RATINGS:  
 CONTACTS: 30 AMP @ 600 VAC  
 RESISTIVE  
 COIL: 120V 50/60 Hz  
 RESISTANCE: 725  $\Omega$   
 CURRENT: 65 mA  
 VA: 7.8 WATTAGE: 3.1

- \* TEMPERATURE RANGE -35° TO +85° C
- \* COIL TERMINALS #6 BINDING HEAD SCREWS
- \* LOAD TERMINALS #8 BINDING HEAD SCREWS
- \* SINGLE POLE / SINGLE THROW
- \* MAGNETICALLY ACTIVATED
- \* MERCURY CONTACTOR

\* LIFE CYCLE ENDURANCE TESTS: U.L. 508 @ 100,00 & CSA 22.2 @ 250,000 CYCLES

Contactors - Relays - Switches