

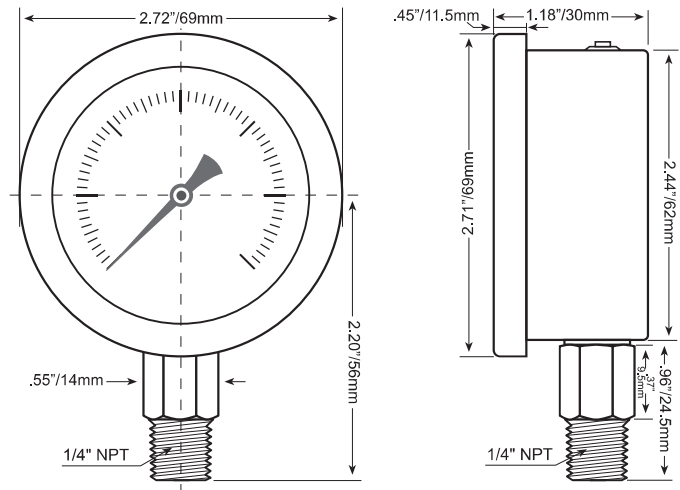


All SS Liquid Fillable Gauges

310L-254/310D-254

Applications:

310 Series liquid fillable gauges are designed for industrial applications where the media or the environment contains chemical aggressive substances.



Specification:

Model: 310L-254 or 310D-254

Dial size: 2.5"/63mm

Case: 304 Stainless Steel

Bezel: 304 Stainless Steel bayonet ring

Oil Cap: Blow out plug

Window: Tempered Safety Glass

Dial: Dished Aluminum, white background, black figures & graduations

Pointer: Aluminum, black finish

Bourdon Tube: 316 stainless steel

Movement: 304 stainless steel

Connection: Stainless Steel one pc, lower mount, 1/4" NPT male, welded connection and case, G1/4" BSP

Execution: 310L-254 fill Glycerin, 310D-254 dry but fillable

Accuracy: +/-1.6% of span

Range: Vacuum to 15,000psi

Operating Temperature: Ambient: -40+140°F, Medium: 392°F Max without liquid fill, 212°F
-40+60°C, Medium: 200°C Max without liquid fill, 100°C

How to order: Model/Pressure Range
See last page in gauge section

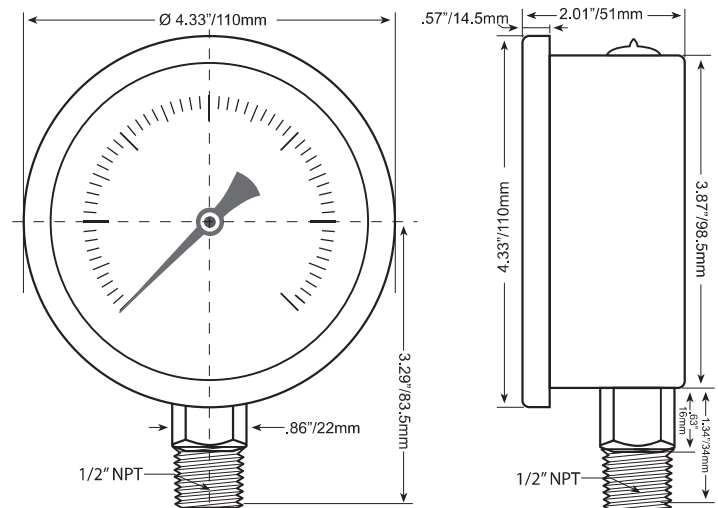


All SS Liquid Fillable Gauges

310L-402/310D-402

Applications:

310 Series liquid fillable gauges are designed for industrial applications where the media or the environment contains chemical aggressive substances.



Specification:

Model: 310L-402 or 310D-402

Dial size: 4"/100mm

Case: 304 Stainless Steel

Bezel: 304 Stainless Steel bayonet ring

Oil Cap: Blow out plug

Window: Tempered Safety Glass

Dial: Dished Aluminum, white background, black figures & graduations

Pointer: Aluminum, black finish, micro-adjustable

Bourdon Tube: 316 stainless steel

Movement: 304 stainless steel, with restriction

Connection: Stainless Steel one pc, lower mount, 1/2" NPT male, welded connection and case, G1/2" BSP

Execution: 310L-402 fill Glycerin, 310D-402 dry but fillable

Accuracy: +/-1.0% of span

Range: Vacuum to 15,000psi

Operating Temperature: Ambient: -40+140°F, Medium: 392°F Max without liquid fill, 212°F
-40+60°C, Medium: 200°C Max without liquid fill, 100°C

How to order: Model/Pressure Range
See last page in gauge section

CHEM OIL GAUGE PART NUMBER CHART

3 1 0 L S 4 0 2 C C B

TYPE SERIES

- 1= ABS-STEEL CASE, W/CHROME RING BRASS INTERNALS
- 2=SS CASE BRASS INTERNALS
- 3=SS CASE SS/INTERNALS
- 5=AMMONIA GAUGE SS/INTERNALS
- 6=BRASS CASE BRASS INTERNALS

SPECIAL FEATURES

- 0=STANDARD GAUGE
- 1=REMOVEABLE RING ADJUSTABLE POINTER
- 2=RR/SOLID POINTER
- 3=PLASTIC SCREW LENS

TYPE FILLING

- D=DRY GAUGE
- L=GLYCERINE FILLED
- S=SILICONE FILLED

MOUNTING STYLE

- 0=BOTTOM CONNECTION\ STEM MOUNTED
- 1=BOTTOM CONNECTION STEM MOUNTED
- 2=BACK CONNECTION STEM MOUNTED
- 3=BACK CONNECTION U-CLAMP, PANEL MT
- 4=LOWER BACK CONNECTION FRONT FLANGED, PNL MT
- 5=BOTTOM CONNECTION BACK FLANGED

SAFETY FEATURES

- B=BLOW-OUT BACK
- S=LAMINATED SAFETY GLASS
- BLANK=STANDARD

DIAL SIZE (diameter)

- 15=1 1/2"
- 20=2"
- 25=2 1/2"
- 35=3 1/2"
- 40=4"
- 45=4 1/2"
- 60=6"

CONN. SIZE

- 8=1/8" NPT MALE
- 4=1/4" NPT MALE
- 2=1/2" NPT MALE
- 9=AUTO CLAVE

RANGES

- A=30/0 HG VAC
- CB=30/0/15 PSI
- CC=30/0/30 PSI
- CD=30/0/60 PSI
- CE=30/0/100 PSI
- CF=30/0/160 PSI
- CG=30/0/200 PSI
- CH=30/0/300 PSI
- B=0/15 PSI
- C=0/30 PSI
- D=0/60 PSI
- E=0/100 PSI
- F=0/160 PSI
- G=0/200 PSI
- H=0/300 PSI
- I=0/400 PSI
- J=0/500 PSI
- K=0/600 PSI
- L=0/800 PSI
- M=0/1,000 PSI
- N=0/1,500 PSI
- O=0/2,000 PSI
- P=0/3,000 PSI
- Q=0/4,000 PSI
- R=0/5,000 PSI
- S=0/6,000 PSI
- U=0/10,000 PSI
- V=0/15,000 PSI
- W=0/20,000 PSI
- X=Other Single
- Y=0/30,000 PSI

DUAL SCALE

- B=PSI/BAR
- K=PSI/KPA

