

## EJ-102N/Interface unit CC-Link/Interface unit USB

### SPECIFICATIONS

Order No.	<b>542-081A</b>	<b>542-081</b>
	Includes AC components	
Unit	inch/mm	
Resolution	0.0002, 0.00005, 0.00002, 0.000005 (inch)/ 0.005, 0.001, 0.0005, 0.0001 (mm)	
Number of linear gage connection ports	2	
Supported gage signal	Differential square wave, differential square wave with reference point mark	
Maximum input frequency	5 MHz	
User Interface	Display	Negative sign + 8 digits and indicator (1 gage value displayed, manually switchable)
External I/O	Number of I/O ports	Input: 4 ports (Ch switch, peak clear, data hold, preset) Output: 4 ports (Err/ALLGO, Tolerance judgment)
	Compatible communication standards	CC-Link, USB (Supported with optional interface units)
Max. number of linked units	EJ Counter 8 units + 1 (optional) interface unit (Max. number of linear gage connections: 16)	
Power supply	Input voltage	10 V to 27 V DC
	Power consumption	1 unit only: 3 W or less (Includes 2 linear gages) Max. number of links: 30 W or less (Interface unit and 16 linear gages included)
Operating temperature (humidity) ranges	0 to 50 °C (RH 20 to 80%, non-condensing)	
Storage temperature (humidity) ranges	-10 to 60 °C (RH 20 to 80%, non-condensing)	
Mass	Approx. 120 g	
CE Marking	EMC Directive: EN 61326-1 Immunity test requirement: Clause 6.2 Table 2 Emission limit: Class A RoHS Directive: EN IEC 63000	

Connectable linear gage series	Conversion cable (optional)
LG100	Not necessary
LGF-Z	Necessary ( <b>21HZA194</b> )
LGF/LGK/LGB/LG	Necessary ( <b>21HZA193</b> )

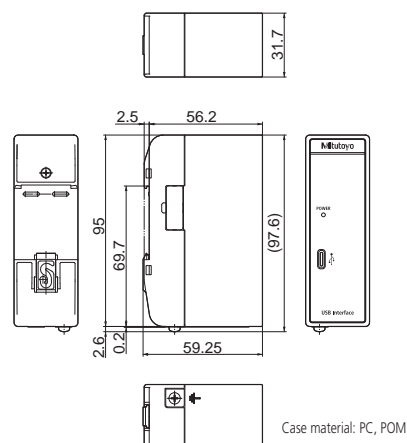
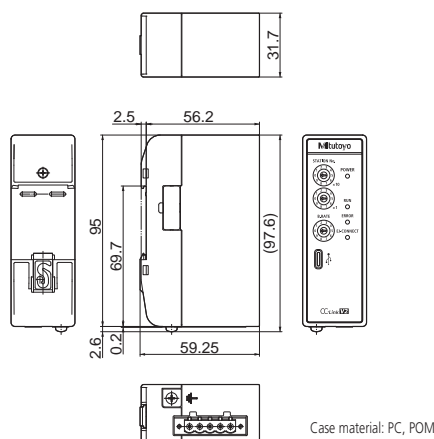
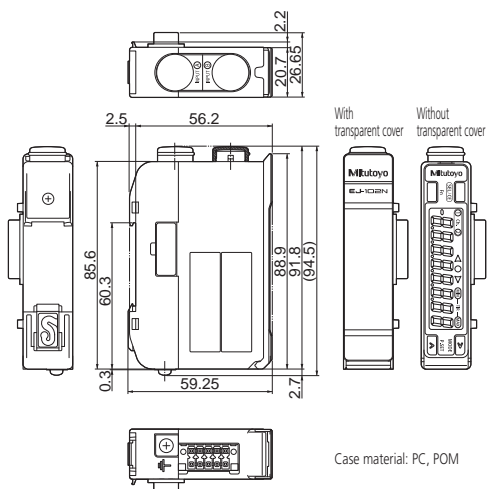
## DIMENSIONS

• 542-081A/542-081

• Interface unit CC-Link

• Interface unit USB

Unit: mm



### SPECIFICATIONS

Order No.	<b>21HZA186</b>
Model No.	<b>Interface unit CC-Link</b>
Applicable interface	USB 2.0 Full Speed
	CC-Link Ver. 1.10
	CC-Link Ver. 2.00
User Interface	Display
	Switch
Functions	POWER (green), RUN (green), ERROR (red), EJ-CONNECT (green) Rotary switch×3 (Exchange number settings×2, communication speed settings×1) Common protocols for USB and CC-Link, Readout of current value*1, Current value hold (software hold), Parameter setting on EJ counter, Tolerance judgment value settings, Preset value settings, preset/zero-set clear, peak clear, error clear *1 Only Ver. 2.00 is supported with CC-Link.
Power supply	Power is supplied from <b>542-081A/542-081</b> (Cannot be charged via USB)
Operating temperature (humidity) ranges	0 to 50 °C (RH 20 to 80%, non-condensing)
Storage temperature (humidity) ranges	-10 to 60 °C (RH 20 to 80%, non-condensing)
CE Marking	EMC Directive: EN 61326-1 Immunity test requirement: Clause 6.2 Table 2 Emission limit: Class A RoHS Directive: EN IEC 63000

### SPECIFICATIONS

Order No.	<b>21HZA149</b>
Model No.	<b>Interface unit USB</b>
Applicable interface	USB 2.0 Full Speed
User Interface	POWER (green)
Functions	Readout of current value, Current value hold (software hold), Parameter setting on EJ counter, Tolerance judgment value settings, Preset value settings, preset/ zero-set clear, peak clear, error clear
Power supply	Power is supplied from <b>542-081A/542-081</b> (Cannot be charged via USB)
Operating temperature (humidity) ranges	0 to 50 °C (RH 20 to 80%, non-condensing)
Storage temperature (humidity) ranges	-10 to 60 °C (RH 20 to 80%, non-condensing)
CE Marking	EMC Directive: EN 61326-1 Immunity test requirement: Clause 6.2 Table 2 Emission limit: Class A RoHS Directive: EN IEC 63000