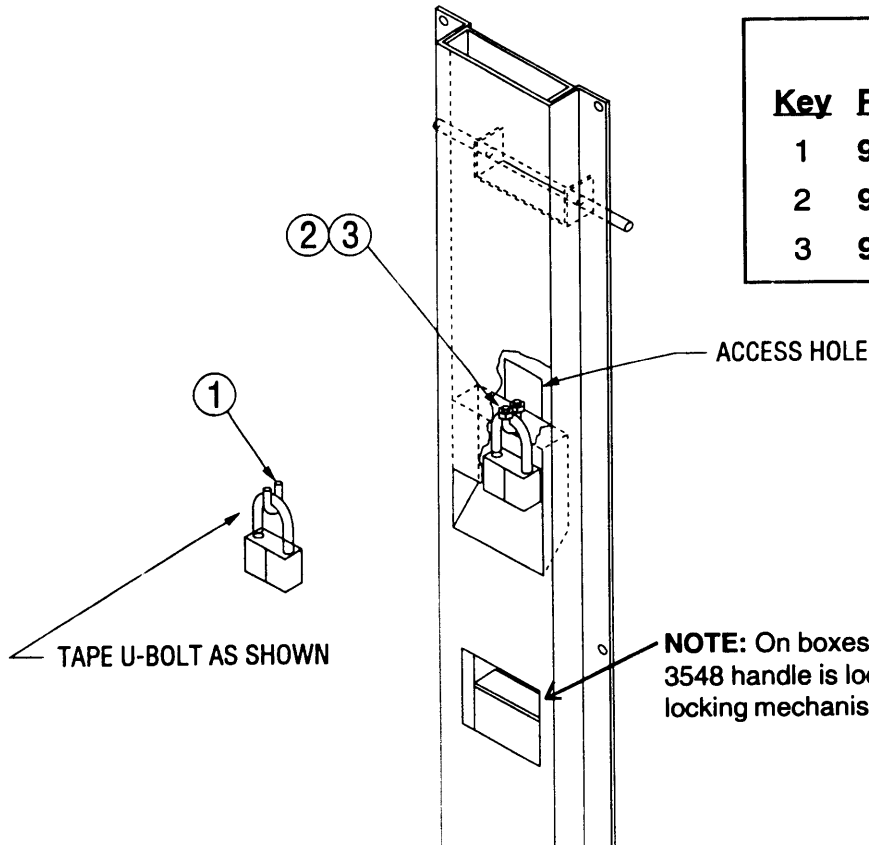




# LOCK INSTALLATION

**for Storage Boxes 3448, 3460, 3548, 5760, 5660L**



| PARTS LIST |            |                  |      |
|------------|------------|------------------|------|
| Key        | Part No.   | Description      | Qty. |
| 1          | 905 4318.1 | U-Bolt           | 1    |
| 2          | 905 1674.5 | 1/4" Lock Washer | 2    |
| 3          | 905 1669.9 | 1/4-20 Hex Nut   | 2    |

1. Locate U-bolt, nuts and washers. Supplied loose.
2. Open doors of box for access to back of lock mechanism.
3. Open #1 or #5 master lock with standard shackle (or exact equivalent) with key.
4. Slide U-Bolt ① on to shackle of lock and tape into position as shown, leaving lock open.
5. Feed lock and U-bolt carefully into pocket on front of lock mechanism.

6. Position shackle over rod located inside pocket and position U-bolts through holes located at top of pocket. To check if U-bolt is through holes, an access hole is located on the back of the lock mechanism.
7. When in position, thread lock washers ② and nuts ③ to U-bolt through access hole, tighten securely.

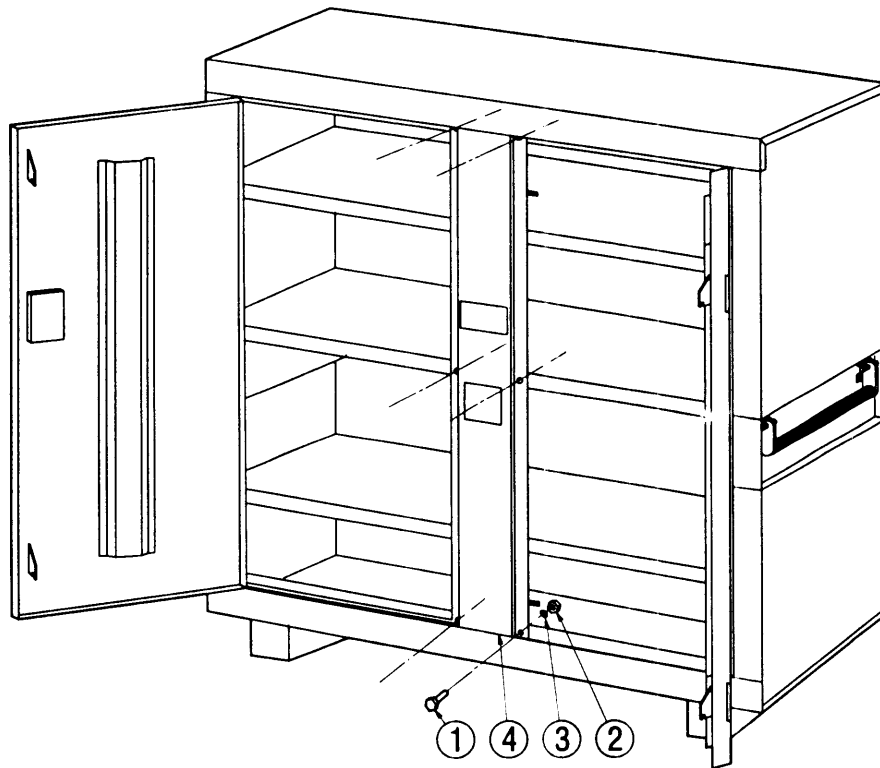
**NOTE:** Doors cannot be shut when padlock is in locked position.

**NOTE:** Procedure is reversed to remove or change locks.



# DOOR LOCK MECHANISM

**for Storage Boxes 3448, 3460, 3548, 5760, 5660L**



| <b>PARTS LIST</b> |                 |                                |             |
|-------------------|-----------------|--------------------------------|-------------|
| <b>Key</b>        | <b>Part No.</b> | <b>Description</b>             | <b>Qty.</b> |
| 1                 | 905 3710.6      | 1/4-20 X<br>5/8 Hex Mach. Scr. | 6           |
| 2                 | 905 1669.9      | 1/4-20 Hex Nut                 | 6           |
| 3                 | 905 1674.5      | 1/4" Lock Washer               | 6           |
| 4                 | SEE             | Door Lock Mech.                | 1           |

| <b>Box No.</b> | <b>Lock Mech.</b> |
|----------------|-------------------|
| 3448           | 503 8835.5        |
| 3460           | 503 8835.5        |
| 3548           | 503 8835.5        |
| 5660L          | 503 8836.3        |
| 5760           | 503 8836.3        |

1. Remove old or damaged lock mechanism by removing hex screws and nuts located along each side of mechanism.
2. Position ④ new mechanism and line up holes on sides with existing holes in box.
3. Insert ① 1/4-20 hex screws (supplied) into holes with heads facing out.
4. Thread ③ washers and ② nuts (supplied) onto screws and tighten securely.
5. Install padlock.

**GREENLEE TEXTRON**