



625/626 SERIES

- Low pressure ranges for vapor recovery applications, vacuum and compound ranges through 0 psig to 15,000 psig; absolute ranges from 0 psia to 15 psia through 0 psia to 300 psia
- Current output
- 316 and 14-4PH stainless steel wetted parts
- Factory Mutual and Canadian Standards Association approved
- CE compliant to suppress RFI, EMI and ESD
- NSI/ISA-12.27.01-2003 approved single seal

APPLICATIONS

- Chemical processing
- Gas pressure measurement
- Oil field & offshore
- Mining
- Vapory recovery systems
- Well head measurement

NOSHOK 625 and 626 Series transmitters are Factory Mutual and Canadian Standards Association approved for use in hazardous location applications as follows:

Intrinsically Safe, entity approval for Class I, II and III, Division 1, Groups A, B, C, D, E, F and G; and Class I, Zone 0 Aex ia IIC Dust Ignition-proof for Class II and III, Division 2, Groups F and G Non-incendive for Class I, Division 2, Groups A, B, C and D. CE compliant with pressure equipment directive 97/23EC. ANSI/ISA-12.27.01-2003, Approved single seal.

SPECIFICATIONS

Output signal	4 mA to 20 mA, 2-wire
Pressure ranges	Vacuum through 0 psig to 15,000 psig Absolute from 0 psia to 15 psia through 0 psia to 300 psia
Accuracy	±0.25% full scale (BFSL); optional ±0.125% full scale (BFSL) (Includes the effects of non-linearity, hysteresis, non-repeatability, zero point and full scale errors)
Stability	≤ ±0.2% full scale for 1 year, non-accumulating
Adjustment	± 10% full scale for zero and span
Response time	≤ 1 ms (between 10% and 90% full scale)
Pressure cycle limit	150 Hz
Durability	> 100,000,000 full scale cycles
Temperature ranges	Compensated 32 °F to 176 °F (0 °C to 80 °C) Zero effect is ±0.011% full scale/ °F Span effect is ±0.011% full scale/ °F Media -4 °F to 185 °F (-20 °C to 85 °C) Ambient -4 °F to 176 °F (-20 °C to 80 °C) Storage -22 °F to 221 °F (-30 °C to 105 °C)
Power requirement*	10 Vdc to 30 Vdc (4 mA to 20 mA, 2-wire)
Load limitations	≤ (VPower-10)/0.020 Amp
Proof pressure	3.5 times full scale for ranges 0 psi to 5 psi through 0 psi to 200 psi 2 times full scale for ranges 0 psi to 300 psi through 0 psi to 10,000 psi 1.5 times full scale for 0 psi to 15,000 psi
Burst pressure	4 times full scale for ranges 0 psi to 5 psi through 0 psi to 200 psi 4 times full scale for ranges 0 psi to 300 psi through 0 psi to 10,000 psi 3 times full scale for 0 psi to 15,000 psi
Measuring element	625 Series is 316 stainless steel for ranges up through 0 psi to 300 psi, 316 stainless steel with 17-4PH stainless steel for ≥300 psi; 626 Series is 316 stainless steel with NBR o-ring
Connection	316 stainless steel
Housing material	316 stainless steel
Environmental rating	IP65 to IP67 depending upon electrical connection
Electromagnetic rating	CE compliant to EMC norm EN 61326:1997/A1:1998 RFI, EMI and ESD protection
Electrical protection	Reverse polarity, over-voltage and short circuit protected
Shock	1,000 g's according to IEC 60068-2-27
Vibration	20 g's according to IEC 60068-2-6
Weight	Approximately 7 oz.

* Unregulated

ORDERING INFORMATION										
SERIES	625	Stainless steel threaded connection	626	316 Stainless steel flush diaphragm	626H	Hastelloy flush diaphragm				
PRESSURE RANGES	4/12 oz/in ²	-4 oz/in ² to 12 oz/in ²	30/100	-30 inHg to 100 psig	150	0 psig to 150 psig	5000	0 psig to 5,000 psig	100A	0 psia to 100 psia
	12 oz/in ²	0 oz/in ² to 12 oz/in ²	30/150	-30 inHg to 150 psig	200	0 psig to 200 psig	6000	0 psig to 6,000 psig	150A	0 psia to 150 psia
	16 oz/in ²	0 oz/in ² to 16 oz/in ²	30/200	-30 inHg to 200 psig	300	0 psig to 300 psig	7500	0 psig to 7,500 psig	200A	0 psia to 200 psia
	50 inH ₂ O	0 inH ₂ O to 50 inH ₂ O	3	0 psig to 3 psig	500	0 psig to 500 psig	8000	0 psig to 8,000 psig	250A	0 psia to 250 psia
	100 inH ₂ O	0 inH ₂ O to 100 inH ₂ O	5	0 psig to 5 psig	750	0 psig to 750 psig	10000	0 psig to 10,000 psig		
	30vac	-30 inHg to 0 psig	15	0 psig to 15 psig	1000	0 psig to 1,000 psig	15000	0 psig to 15,000 psig		
	30/15	-30 inHg to 15 psig	30	0 psig to 30 psig	1500	0 psig to 1,500 psig	15A	0 psia to 15 psia		
	30/30	-30 inHg to 30 psig	60	0 psig to 60 psig	2000	0 psig to 2,000 psig	30A	0 psia to 30 psia		
	30/60	-30 inHg to 60 psig	100	0 psig to 100 psig	3000	0 psig to 3,000 psig	60A	0 psia to 60 psia		
	psig = gauge pressure psia = absolute pressure Other ranges available on request		Note: 626 Series is available for pressure ranges up to 0 psig to 8,000 psig							
ACCURACY	1	±0.25% full scale (BFSL)	2	±0.125% full scale (BFSL)						
OUTPUT SIGNAL	1	4 mA to 20 mA, 2-wire								
PROCESS CONNECTIONS	2	1/4" NPT male	13	G 1 B (626 Series only, <30 psig)						
	8	1/2" NPT male	45	SAE J1926-3/7/16-20						
	11	G 1/2 B*								
ELECTRICAL CONNECTIONS	1	36" cable (connected to option 8)	14	Hirschmann connector 1/2" NPT conduit - IP65						
	3	6-pin Bendix - IP65	25	M12x1 (4-pin) IP67						
	8	Hirschmann (DIN EN 175301-803 Form A)	36	Integral cable 36" - IP67						
OPTION	ST8	Threaded Orifice (625 Series only)								

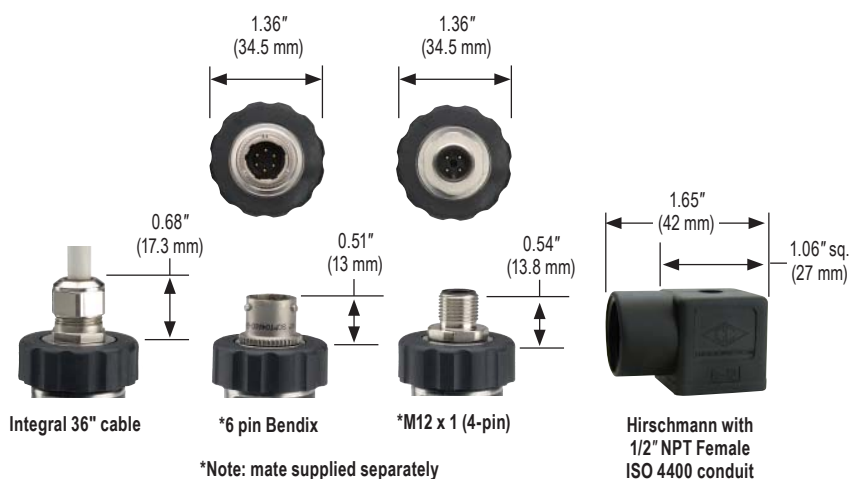
Please consult your local NOSHOK Distributor or NOSHOK, Inc. for availability and delivery information.

* 626 Series only, G 1/2 B Flush (≥ 30 psig).

EXAMPLE

Series 625 Series
 Pressure range 0 psig to 500 psig
 Accuracy ±0.25% full scale (BFSL)
 Output signal 4 mA to 20 mA, 2-wire
 Process connection 1/2" NPT Male
 Electrical connection Hirschmann (DIN EN 175301-803 Form A)
 Option Threaded Orifice

625 - 500 - 1 - 1 - 8 - 8 - ST8



2-WIRE WIRING

	Hirschmann	Cable	M12	Bendix
+ Supply	1	Red/Brown	1	A
+ Output	2	Black/Green	3	B

NOTE
 See 621/622 Series for G1/2B and G1B Front Flush Process Connection Dimensions pg. 85

