



## 627 SERIES

- Ranges from 0 inH<sub>2</sub>O to 50 inH<sub>2</sub>O through 0 psig to 350 psig
- Current output
- 316 Stainless and 17-4PH Steel wetted parts
- Canadian Standards Association approved
- CE compliant to suppress RFI, EMI and ESD

### APPLICATIONS

- Irrigation
- Tank monitoring
- Water & wastewater
- Well head measurement

**NOSHOK 627 Series transmitters are Canadian Standards Association approved for use in hazardous location applications as follows:**

Intrinsically Safe, entity approval for Class I, II and III, Division 1, Groups A, B, C, D, E, F and G; and Class I, Zone 0 Aex ia IIC  
 Dust ignition-proof for Class II and III, Division 1, Groups E, F and G  
 Non-incendive for Class I, Division 2, Groups A, B, C and D  
 FMRC 3600, 3610, 3611, 3810 (including supplement #1),  
 ISA-S12.0. 01, IEC 60529 (including amendment #1).  
 CE compliant with pressure equipment directive 97/23EC.

### SPECIFICATIONS

<b>Output signal</b>	4 mA to 20 mA, 2-wire
<b>Pressure ranges</b>	0 inH <sub>2</sub> O to 50 inH <sub>2</sub> O through 0 psig to 350 psig
<b>Accuracy</b>	±0.25 % full scale (BFSL); optional ±0.125% full scale (BFSL), for ranges ≥ 150 inH <sub>2</sub> O (Includes the effects of non-linearity, hysteresis, non-repeatability, zero point and full scale errors)
<b>Stability</b>	≤ ±0.2% full scale for 1 year, non-accumulating
<b>Response time</b>	≤1 ms (between 10% and 90% full scale)
<b>Service life</b>	>100,000,000 load cycles
<b>Temperature ranges</b>	Compensated 32 °F to 122 °F (0 °C to 50 °C) Zero effect is ±0.011% full scale/ °F within compensated range Span effect is ±0.011% full scale/ °F within compensated range Media 15 °F to 175 °F (-10 °C to 60 °C) Ambient 15 °F to 122 °F (-10 °C to 50 °C) Storage -30 °F to 175 °F (-34 °C to 60 °C)
<b>Power requirement*</b>	10 Vdc to 30 Vdc (4 mA to 20 mA, 2-wire)
<b>Load limitations</b>	≤ (VPower-10)/0.020 Amp-(0.043 Ω x length of cable in feet)
<b>Proof pressure</b>	2 times range
<b>Burst pressure</b>	3 times range
<b>Measuring element</b>	Diaphragm and cap: 316 Stainless Steel 17-4PH Stainless Steel for 0 psig to 350 psig Cable: Polyurethane, optional FEP
<b>Connection</b>	316 Stainless Steel
<b>Housing material</b>	316 Stainless Steel
<b>Environmental rating</b>	IP68
<b>Electromagnetic rating</b>	CE compliant to EMC norm EN 61326:1997/A1:1998 RFI, EMI and ESD protection
<b>Electrical protection</b>	Reverse polarity, over-voltage and short circuit protected
<b>Weight</b>	Approximately 7 oz. with standard nosecone - cable extra

\* Unregulated

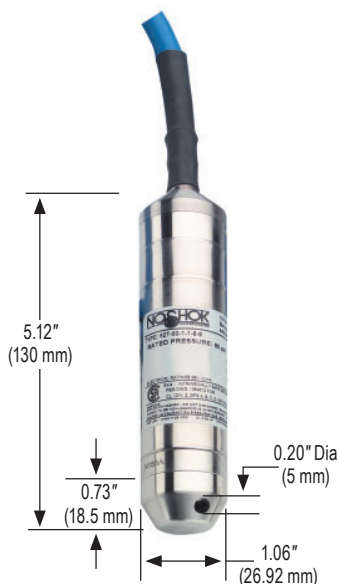
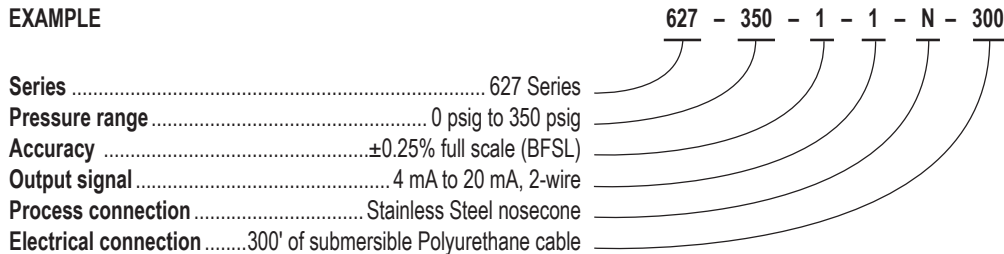


**WARNING:** This product can expose you to chemicals including Chromium (VI) and Nickel, which are known to the State of California to cause cancer and birth defects or other reproductive harm. For more information go to [www.P65Warnings.ca.gov](http://www.P65Warnings.ca.gov)

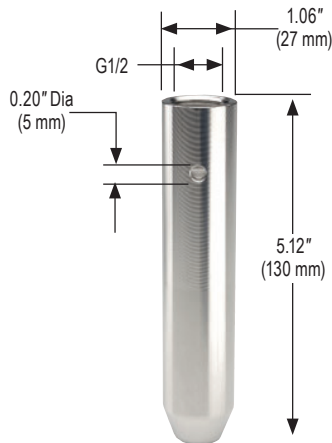
ORDERING INFORMATION			
<b>SERIES</b>	<b>627</b>		
<b>PRESSURE RANGES</b>	<b>50inH<sub>2</sub>O</b>	0 inH <sub>2</sub> O to 50 inH <sub>2</sub> O	<b>5</b> 0 psig to 5 psig (11.5 ftH <sub>2</sub> O)
	<b>100inH<sub>2</sub>O</b>	0 inH <sub>2</sub> O to 100 inH <sub>2</sub> O	<b>10</b> 0 psig to 10 psig (23.1 ftH <sub>2</sub> O)
	<b>150inH<sub>2</sub>O</b>	0 inH <sub>2</sub> O to 150 inH <sub>2</sub> O	<b>15</b> 0 psig to 15 psig (34.6 ftH <sub>2</sub> O)
	<b>250inH<sub>2</sub>O</b>	0 inH <sub>2</sub> O to 250 inH <sub>2</sub> O	<b>25</b> 0 psig to 25 psig (57.7 ftH <sub>2</sub> O)
	<b>400inH<sub>2</sub>O</b>	0 inH <sub>2</sub> O to 400 inH <sub>2</sub> O	<b>30</b> 0 psig to 30 psig (69.2 ftH <sub>2</sub> O)
	psig = gauge pressure	inH <sub>2</sub> O = inches of water	ftH <sub>2</sub> O = feet of water      Other ranges available on request.
<b>ACCURACIES</b>	<b>1</b> ±0.25% full scale (BFSL)	<b>2</b> ±0.125% full scale (BFSL) on ≥ 150 inH <sub>2</sub> O	
<b>OUTPUT SIGNAL</b>	<b>1</b> 4 mA to 20 mA, 2-wire		
<b>PROCESS CONNECTIONS</b>	<b>N</b> Stainless Steel nosecone	<b>W</b> Stainless Steel weighted nosecone (1.1 lb.)	
	<b>T</b> G 1/2 B x 1/2" NPT male with 1/4" NPT female		
<b>ELECTRICAL CONNECTIONS</b>	<b>XX</b> Standard Polyurethane cable		
	<b>38-XX</b> Optional FEP cable	<b>NOTE: XX = length of cable in feet</b>	
<b>OPTIONS</b>	<b>CBC</b> Cable Clamp	<b>FE</b> Filter Element	
	<b>DC</b> Desiccant Cartridge	<b>JB</b> Cable Junction Box	

Please consult your local NOSHOK Distributor or NOSHOK, Inc. for availability and delivery information.

**EXAMPLE**



**Weighted Nosecone**



**NPT Adapter**



**2-WIRE WIRING**

+ Supply	Brown
+ Output	Green