

High-Performance Height Gage QM-Height Series

Small Tool Instruments
and Data Management



• Design registered in Japan, EU and China

High-Performance Height Gage QM-Height Series



- Best-in-class accuracy $\pm(2.4+2.1L/600)$ μm
- Built-in pneumatic flotation system enables smooth movement over a surface plate. Models without the air suspension feature are also available.
- Simple-to-use control panel enables most measurements to be made with a single keystroke.
- Battery life of 1200 hours in continuous use with four AA batteries, an improvement from 300 hours. (Four commercially available nickel hydride batteries can also be used.)
- Install the optional U-WAVE-T measurement data communication system to output measurement data directly to Excel or SPC software on your PC.
The USB communication driver can be downloaded from the Mitutoyo website. (Communication software is separately required.)
<https://www.mitutoyo.co.jp/eng/contact/products/usb/index.html>



GO/ \pm NG judgment by LED and display symbols

- LEDs indicate tolerance judgment status – green for GO, red for +NG, and orange for -NG. Status is also indicated by corresponding symbols appearing on the display.



Intuitive buttons and layout

- The symbols are for frequently used keys.
- Cross-keys provide better operability.



Inside/outside diameters, maximum/minimum heights and displacement can be measured using a standard probe

- Besides height measurement, Mitutoyo's proprietary mechanism and firmware enables scanning measurement of inside/outside diameters, maximum/minimum heights, and height differences.



ID measurement



OD measurement



"d2" is a generic term given to Digimatic output that supports up to eight input/output digits.

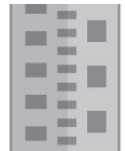
QM-Height measures height, height difference (step), inside/outside widths, inside/outside diameters, circle pitch, free-form surface maximum/minimum heights and height difference by scanning measurement*.

Two subdisplay modes display the value from the previous measurements or the value from the zero/origin point. Origin points can also be set from hole centers.

*Scanning measurement stroke is approx. 1 mm above and below from the start point of measurement.

ABSOLUTE encoder maintains the origin

- The electromagnetic induction type ABSOLUTE encoder maintains the origin. There is no need to set the origin after turning on the power. (Except when there is a considerable environmental change.)



New d2 Digimatic and USB outputs

- Digimatic and USB ports are provided as standard. Using the U-WAVE-T measurement data wireless communication system enables instant transmission of measurement data to a PC via wireless communication which reduces manual input errors and improves data reliability and operational efficiency.



To install U-WAVE-T, separately purchase the optional mounting plate (02AZE990).



Power supply

- Four alkaline AA/LR6 batteries (standard accessories)
- Also operates on four NiMH AA rechargeable batteries
- AC adapter (packages available with or without AC adapter)
- 1200 hours of battery life in continuous use



Probe elevation wheel

- Used for measurement, allowing fine or coarse adjustment of probe height.



Air-suspension feature

- Pressing a button on the grip activates the internal air pump. The base rises on a cushion of air and is able to be moved smoothly over the surface plate.

Note: Measurements should not be made while this function is in use as it will cause measurement error.

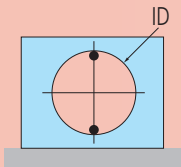


Measurement examples

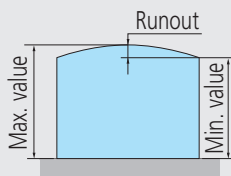
Height measurement



ID measurement



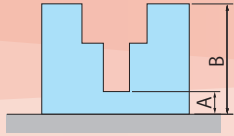
Runout measurement



After scanning the surface, the runout will be shown in the display as (Max. value - Min. value)



Height difference measurement (1)



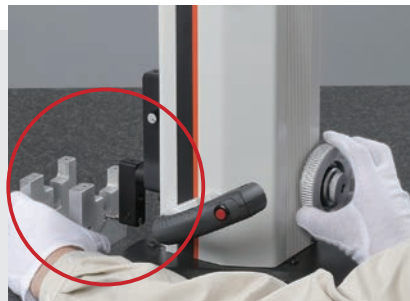
Height A and height B from the surface plate will be displayed.



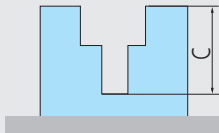
Height A



Height B



Height difference measurement (2)



After measuring heights A and B, the height difference C between them can be shown in the lower row of the display.



Upper row: Meas. value (Height or Dia.)
Lower row: Height difference C



Centralized Data Management

Misinput due to manual input can be eliminated and dramatically improve operational efficiency.

600 mm stroke type

Without air-suspension: 518-242, 518-243

With air-suspension: 518-246, 518-247

- The USB communication driver can be downloaded from the Mitutoyo website.
<https://www.mitutoyo.co.jp/eng/>

USB output

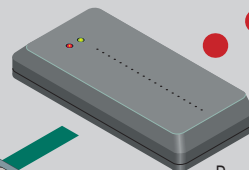
Note: Use a commercially available USB micro-cable (for communication use only).



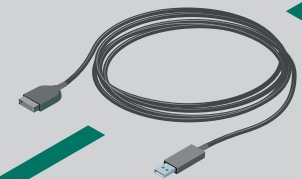
Transmitter
U-WAVE-T

IP67 type: 02AZD730G
Buzzer type: 02AZD880G

Wireless

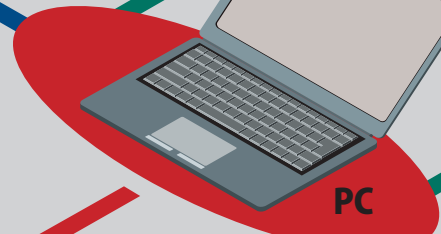


Receiver
U-WAVE-R
02AZD810D



USB Input Tool Direct
USB-ITN-D
06AFM380D

06AFZ050 USB cable
(A-microB)



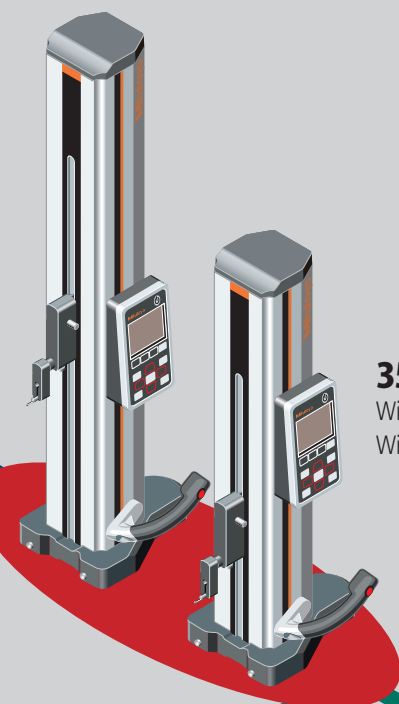
PC

Measurement Data Network System

MeasurLink®

MeasurLink® is an IoT platform for quality management that realizes "Visualization of Quality" by enabling real-time data collection from the networked Digimatic gages and global control and analysis.

MeasurLink® is a registered trademark of Mitutoyo Corporation in Japan and Mitutoyo America Corporation in the United States.



350 mm stroke type

Without air-suspension: **518-240, 518-241**

With air-suspension: **518-244, 518-245**

Wired communication

Digimatic output

Wired communication

Digimatic output

936937 Digimatic connecting cable (1 m)

965014 Digimatic connecting cable (2 m)



Digimatic Mini-Processor
DP-1VA LOGGER
264-505A

Data logger function gives ability to store up to 1000 records of measurement data.

Optional parts that enable centralized data management

Order No.	Item name
Small printer equipped with Data Logger	
264-505A	DP-1VA LOGGER
936937	Digimatic connecting cable (1 m)
965014	Digimatic connecting cable (2 m)
06AFZ050	USB cable (A-microB)
Measurement Data Input Unit	
06AFM380D	USB Input Tool Direct USB-ITN-D
Measurement data wireless communication system	
02AZD730G	U-WAVE-T (Transmission unit) (IP67 type)
02AZD880G	U-WAVE-T (Transmission unit) (Buzzer type)
02AZD790D	U-WAVE-T dedicated cable (Standard use)
02AZE140D	U-WAVE-T dedicated cable (For foot switch)
02AZD810D	U-WAVE-R receiver
02AZE990	U-WAVE mounting plate
Measurement data collection software for Excel USB-IT PAK V2.1	
Measurement data network system MeasurLink	

Contact points for a wide range of measurements (Refer to page 8.)

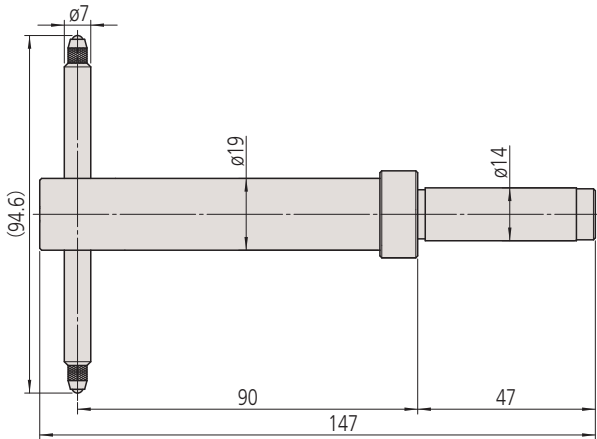
No.	Order No.	Item description
Depth probe		
(1)	12AAC072	Depth probe
Interchangeable contact points for ø5 stepped probe		
(2)	957261	ø2 mm ball (coaxial type)
(3)	957262	ø3 mm ball (coaxial type)
(4)	957263	ø4 mm ball (coaxial type)
(5)	957264	ø14 mm disk
(6)	957265	ø20 mm disk
(7)	12AAA788	ø4 mm ball (eccentric type)
(8)	12AAA789	ø6 mm ball (eccentric type)
Special holder		
(9)	12AAA792	Holder for dial indicator
(10)	12AAA793	Holder (Long)
AC Adapter		
	06AFZ950JA	AD620JA for Japan/U.S.
	06AFZ950D	AD620D for the EU
	06AFZ950E	AD620E for the UK
	06AFZ950K	AD620K for Korea
	06AEG180DC	AD620DC for China
Others		
	05HZA143	9x9 mm adapter (clamp underneath is required)
	05GZA033	Clamp (for 9x9 mm adapter)
	05HZA144	6.35x12.7 mm adapter (clamp underneath is required)
	901385	Clamp (for 6.35x12.7 mm adapter)
	05HZA173	Scriber*

Note: A gage block may be required for the zero-setting depending on the probe or contact point to be used.

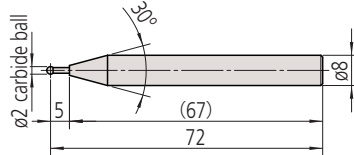
* Used for measurements, cannot be used for scribing.

Contact points for a wide range of measurements

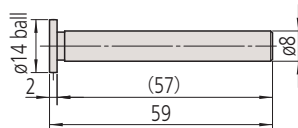
1) **12AAC072**
Depth probe



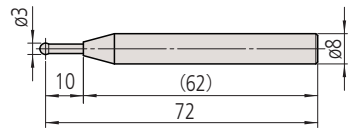
2) **957261**
ø2 mm ball (coaxial type)



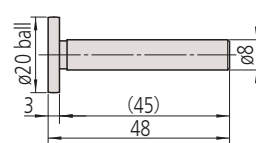
5) **957264**
ø14 mm disk



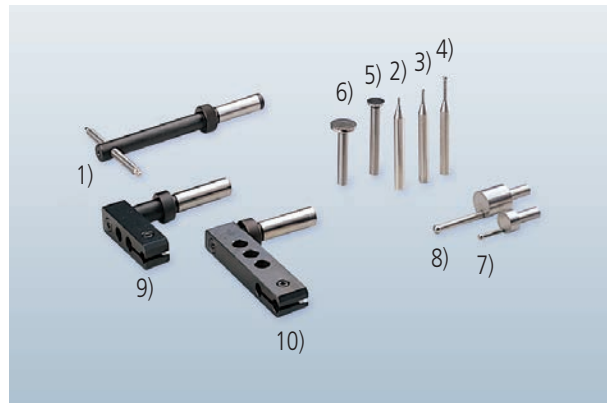
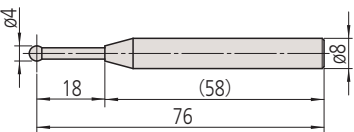
3) **957262**
ø3 mm ball (coaxial type)



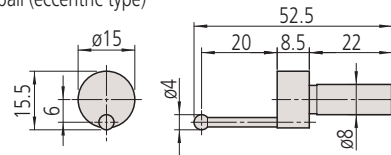
6) **957265**
ø20 mm disk



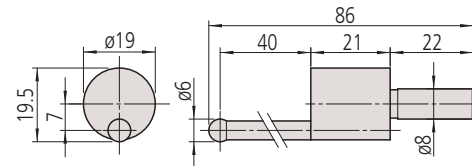
4) **957263**
ø4 mm ball (coaxial type)



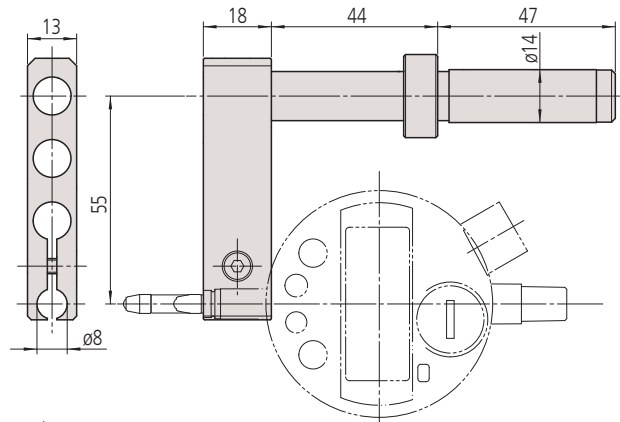
7) **12AAA788**
ø4 mm ball (eccentric type)



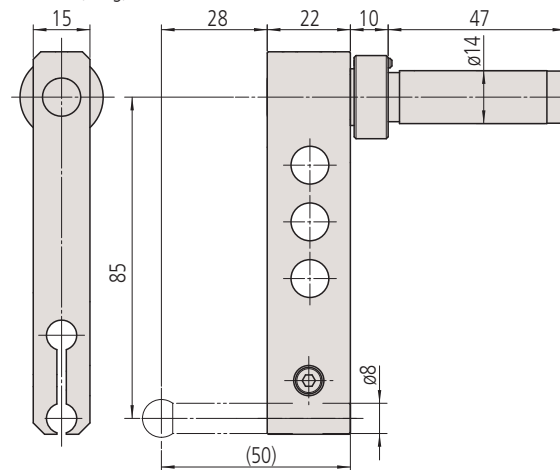
8) **12AAA789**
ø6 mm ball (eccentric type)



9) **12AAA792**
Holder for dial indicator



10) **12AAA793**
Holder (Long)



Specifications



64PKA130B
518-247



64PKA129B
518-245

Order No.	Package w/AC adapter Inch/Metric Main unit	64PKA094B 518-241	64PKA095B 518-243	64PKA129B 518-245	64PKA130B 518-247
Measuring range (Stroke)		(14 in / 350 mm)	(24 in / 600 mm)	(14 in / 350 mm)	(24 in / 600 mm)
Resolution	Inch/Metric	0.001/0.005 mm 0.00005/0.0001/0.0002 in			
Accuracy at 20 °C	Measurement*1 Repeatability*1	± (2.4 + 2.1L/600) μm 2σ ≤ 1.8 μm			
Perpendicularity*2 (20 °C)		7 μm	12 μm	7 μm	12 μm
Guiding method		Roller bearing			
Drive method		Manual (wheel)			
Measurement principle		Electromagnetic induction absolute encoder			
Measuring force		1.5±0.5 N			
Data output ports		Digimatic / Digimatic 2 / USB*3			
Air-suspension feature		Not included		Included (for positioning only)*4	
Power supply		Alkaline AA /LR6 batteries x 4 (standard accessories) / AC adapter (optional accessory)*5 / Supports NiMH (HR6) rechargeable batteries x 4			
Battery life guidelines*6		Approx. 1200 hours (without using the air-suspension feature) Approx. 90 hours (when using the air-suspension feature)			
Mass		25 kg	29 kg	26 kg	30 kg
Size (mm)		Stroke 350 mm type: 280(W) x 273(D) x 784(H) mm Stroke 600 mm type: 280(W) x 273(D) x 1016(H) mm			
Operating temperature range (recommended)		0 to 40 °C (10 to 30 °C)			
Operating humidity range		20 to 80 % RH (non-condensing)			
Storage temperature range		-10 °C to 50 °C			
Storage humidity range		5 to 90 % RH (non-condensing)			

*1 The indication accuracy and repeatability represent the values obtained from the height measurement of a flat surface using the standard holder with ø5 ball contact point. In the case of diameter, minimum (maximum) value, circle pitch or difference measurement, measuring errors may be larger than the accuracy ratings listed in the table due to variations in measuring force during a scanning measurement, which differs from height measurement.

*2 Indicates the value obtained from the measurement of a straight surface placed perpendicular to the the base reference surface using the Lever Head (MLH-521) and Mu-checker (M-551).

*3 Requires special communication driver and software. Consult your local Mitutoyo Sales Office for details.

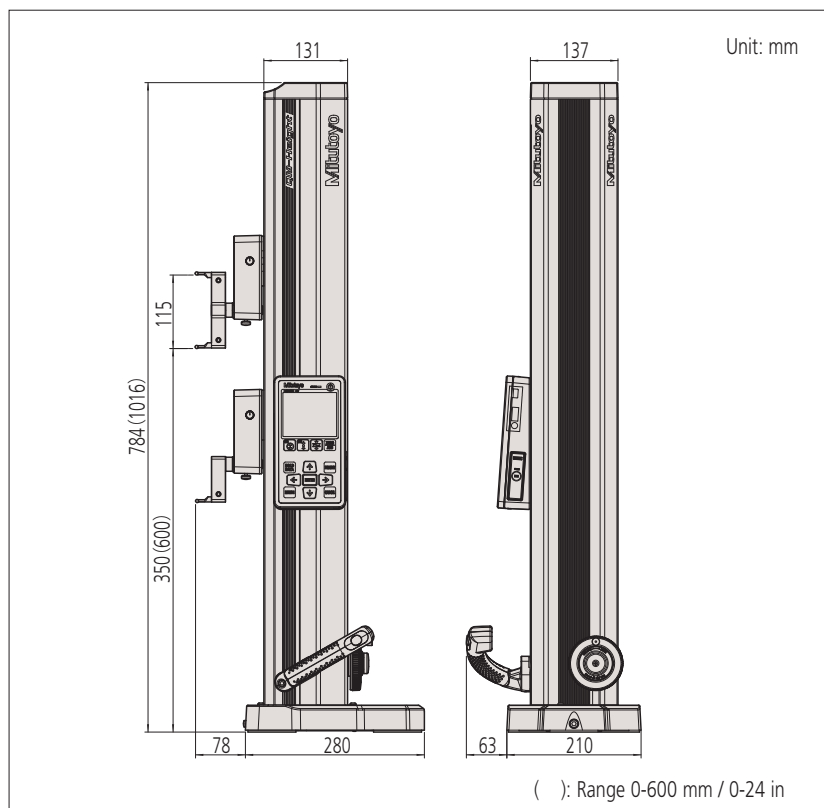
These can be downloaded from the Mitutoyo web site. <https://www.mitutoyo.co.jp/eng/contact/products/usb/index.html>

*4 When using a model with the air-suspension feature, it is advisable to use a JIS 1 class, or higher, surface plate. Using on surfaces with scratches or unevenness may prevent the system operating to the specified performance.

*5 The AC adapter cannot be used to recharge rechargeable batteries.

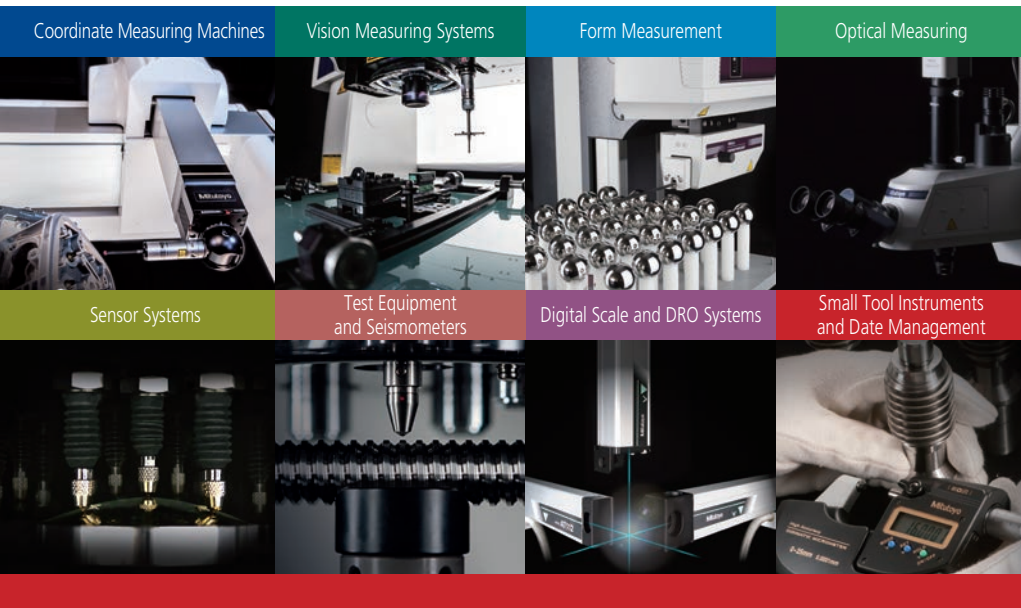
*6 Battery life depends on the operating conditions. In particular, it is more economical to use the optional AC adapter to power the instrument if the application requires prolonged use of the air-suspension feature.

Dimensions



Standard accessories

Order No.	Item
12AAA715	Probe diameter calibration block
05HZA148	ø5 mm stepped probe
—	Alkaline batteries x 4 (AA/LR6)



Whatever your challenges are, Mitutoyo supports you from start to finish.

Mitutoyo is not only a manufacturer of top-quality measuring products but one that also offers qualified support for the lifetime of the equipment, backed by comprehensive services that ensure your staff can make the very best use of the investment.

Apart from the basics of calibration and repair, Mitutoyo offers product and metrology training, as well as IT support for the sophisticated software used in modern measuring technology. We can also design, build, test and deliver measuring solutions and even, if deemed cost-effective, take your critical measurement challenges in-house on a sub-contract basis.

Note: All information regarding our products, and in particular the illustrations, drawings, dimensional and performance data contained in this printed matter as well as other technical data are to be regarded as approximate average values. We therefore reserve the right to make changes to the corresponding designs. The stated standards, similar technical regulations, descriptions and illustrations of the products were valid at the time of printing. In addition, the latest applicable version of our General Trading Conditions will apply. Only quotations submitted by ourselves may be regarded as definitive. Specifications are subject to change without notice.

Mitutoyo products are subject to US Export Administration Regulations (EAR). Re-export or relocation of our products may require prior approval by an appropriate governing authority.

Trademarks and Registrations

Designations used by companies to distinguish their products are often claimed as trademarks. In all instances where Mitutoyo America Corporation is aware of a claim, the product names appear in initial capital or all capital letters. The appropriate companies should be contacted for more complete trademark and registration information.