



OHAUS Triple Beam

Mechanical Balances



This classic mechanical balance is the standard by which all others are measured!

Accurate and dependable, the original OHAUS Triple Beam balance has been the standard in science classrooms for decades. Whether you're weighing solids, liquids, powders or even animals, an OHAUS Triple Beam balance is well equipped to handle the job. These balances offer the accuracy and convenience of a toploading balance while allowing students to gain hands-on experience through manipulation of the poises and attachment weights (sold separately), as well as to visualize mass measurement principles.

The 700 Series accommodates a range of laboratory and education applications. Some models have a tare beam to allow containers up to 225g to be balanced out, and a variety of weighing platforms are also available. The OHAUS Dial-O-Gram® Series combines the convenience of direct-reading dial calibration with the speed of magnetic damping for a balance that accurately and quickly weighs everything.

Standard Features Include:

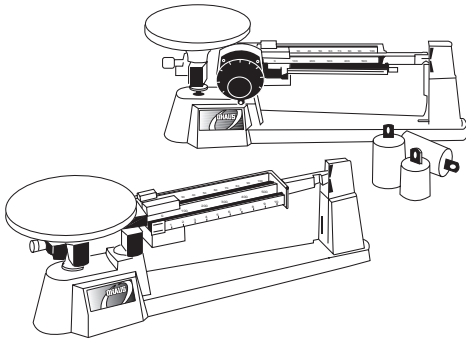
- **Faster Stability** – Three times faster stability reading than any other three-beam balance on the market
- **Greater Accuracy** – The outstanding quality of the beam allows for smooth positioning of the poise, resulting in superior measurement
- **Superior Quality** – Only the OHAUS logo on your Triple Beam balance assures you of over 100 years of OHAUS quality and reliability

Triple Beam Mechanical Balances

Specifications

Model	710-00	710-T0	720-00	720-S0	730-00	750-S0	760-00
Capacity with Accessory Mass Set (707-00)	610 g 2610 g						
Calibrations: Front Beam: Middle Beam: Rear Beam:	10 g x 0.1 g 500 g x 100 g 100 g x 10 g						
Dimensions L x W x H (in/cm)	18 x 12 x 9 / 45.7 x 30.5 x 22.9						
Stainless Steel Pan (removable) Platform Dia.x D. (in/cm) 6 x .8 / 15.2 x 1.9	✓	✓					
Polypropylene Scoop L x W x D (in/cm) 12 x 6 x 2.75 / 30.5 x 15.2 x 7			✓				
Stainless Steel Scoop L x W x D (in/cm) 11.9 x 7.38 x 1.69 / 30.23 x 18.7 x 4.3				✓			
Plastic Animal Box Dia. x H (in/cm) 9 x 6 / 22.9 x 15.2					✓		
Stainless Steel Plate Platform Dia. (in/cm) 6 / 15.2						✓	✓
Tare Range		225 g					225 g
Net weight (lb/kg)	7 / 3.2				8 / 3.6	7 / 3.2	
Shipping weight (lb/kg)	8 / 3.6				10 / 4.5	8 / 3.6	

*Mass set 707-00 sold separately. Mass sets included in item 750-SW not shown in chart



Standard Features

Notched and tiered beams for ease in reading, positive poise positioning for repeatability, specific gravity weighing, magnetically damped, zero adjust compensator, choice of 5 weighing platforms.

Optional Accessories

Specific gravity rod and clamp, vinyl dust cover, attachment mass set, stainless steel scoop with foot, polypropylene scoop with foot, polypropylene scoop with foot and counterweight for balances without tare, stainless steel scoop with foot and counterweight for balances without tare.

Industry Leading Quality and Support

Our rugged construction and stringent quality control have been hallmarks of all Ohaus products for over a century.

* ISO 9001
Registered Quality Management System

80774286_B © Copyright Ohaus Corporation

