



FILL-RITE.

Mechanical Liquid Meter

Series 900 – High Flow

901CL1.5, 901C, 901C1.5, 901CL, 901CL1.5X418 901CN1.5, 901CMK4200,
901CLMK4200, 901CLX418 901CLMK300, 901CIMP, 901CMK300, 901CMK300V
901CIMP1.5, 901CNL1.5X418, 901CLMK300V, 901CLN1.5

Table of Contents

Table of Contents	2
Thank You!	2
About This Manual	2
Safety Information	3
Installation	3
Calibration	4
Procedure for Calibration	4
Operating Instructions	4
Maintenance	4
Cleaning Instructions	4
Storage	5
Troubleshooting	5
Fluid Compatibility	5
Assembly and Disassembly	5
Repair	6
Safety Testing Approvals	6
Replacement Parts Information	7

Thank You!

Thank you for your purchase of the Fill-Rite 900 series meter! Your Fill-Rite product comes with over 80 years of fluid transfer experience behind it, providing you the value that comes with superior performance, user friendly design, long service life, and solid, simple engineering. Experience that gives you peace of mind.

Rest Easy – It’s Tuthill!

About This Manual

From initial concept and design through its final production, your Fill-Rite meter is built to give you years of trouble free use. To insure it provides that service, **it is critical that you read this entire manual prior to attempting to install or operate your new meter.** Become familiar with the terms and diagrams, and pay close attention to the highlighted areas with the following labels:



WARNING! Emphasizes an area in which personal injury or even death could result from failure to follow instructions properly. Mechanical damage may also occur.



IMPORTANT! These boxes contain information that illustrates a point that may save time or may be key to proper operation, or clarifies a step.



CAUTION! Failure to observe a “Caution” can cause damage to the equipment.

At Fill-Rite, your satisfaction with our products is paramount to us. If you have questions or need assistance with your product, please contact us at 1-800-634-2695 (M-F 8 AM–5 PM ET).

Safety Information



WARNING! To insure safe and proper operation of your equipment, it is critical to read and adhere to all of the following safety warnings and precautions. Improper installation or use of this product can cause serious bodily injury or death!

- 1) **NEVER** smoke near the meter, or use the meter near open flames when metering a flammable liquid! Fire can result!
- 2) A "Fill-Rite" Filter should be used on the meter outlet to insure no foreign material is transferred to the fuel tank.
- 3) Threaded pipe joints and connections should be sealed with the appropriate sealant or sealant tape to minimize the possibility of leaks.
- 4) Storage tanks should be securely anchored to prevent shifting or tipping when full or empty.
- 5) To minimize static electricity build up, use only static wire conductive hose when metering flammable fluids, and keep the fill nozzle in contact with the container being filled during the filling process.
- 6) **DO NOT** exceed 50 psi/ 3.5 BARS line pressure.
- 7) **DO NOT** install additional foot valve or check valve without a pressure relief valve; cracking may result.



WARNING! This product should not be used to transfer fluids into any type of aircraft.

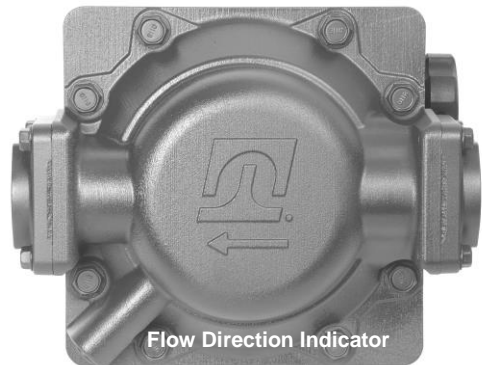


WARNING! This product is not suited for use with fluids intended for human consumption or fluids containing water.

Installation

Meters are furnished for horizontal piping; left to right flow. Flow ports can be changed to any of four positions for horizontal or vertical piping and for either direction of flow.

- 1) Determine direction for fluid to flow.
- 2) Install meter **observing directional arrow on casting.**
- 3) Remove four screws (item 28).
- 4) Rotate meter cover assembly (item 37) to desired orientation.
- 5) Replace four screws (item 28).



CAUTION! Threaded pipe joints and connections should be sealed with the appropriate sealant or sealant tape to minimize the possibility of leaks.



IMPORTANT! If you have purchased this meter as part of a “Kit”, the meter flange base is drilled with 4 holes. This allows the meter to be used with 300 and 700 series pumps. Line the meter bracket up for installation and insert the bolts in the two holes that align with the corresponding holes on the pump outlet. Once the meter bracket is bolted securely in place install the two plugs in the holes that were not used to prevent moisture from entering them.



Calibration

The Fill-Rite Series 900 meters can be calibrated for either U.S. gallons or liters. Calibration is required upon installation, after disassembly, after significant wear or when metering a different viscosity fluid. Depending on the model, Series 900 meters are factory calibrated in either U.S. gallons or liters using mineral spirit. Calibration must be done between 6 and 40 GPM (23 and 151 LPM). Meter calibration can be easily changed by following the calibration procedure. A container of **KNOWN** volume will be needed for the calibration procedure. For the 900 Series meter, a five gallon container or larger should be used.

Procedure for Calibration:

- 1) For the most accurate calibration, install the meter in the application. Fill a container to a known volume with the liquid to be measured.
- 2) If meter amount is incorrect, turn calibration screw (item 31) counterclockwise for less liquid, or clockwise for more liquid.
- 3) Repeat steps 1 and 2 until calibration is acceptable.

Operating Instructions

For accurate measurement and to prevent meter damage, meter and piping must always be filled with liquid and free of air. Meter should be calibrated per instructions in this manual prior to its use.

- 1) Stop flow of liquid.
- 2) Reset register to “0”.
- 3) Meter is ready for use. Start flow of liquid. Do not exceed 50 PSI of line pressure.

Maintenance

Your Fill-Rite 900 series meter should operate virtually maintenance free. Certain Liquids, however, can dry out while in the meter housing, causing the meter to stop or perform poorly. If this happens, meter should be thoroughly cleaned.

Cleaning Instructions

Run a flushing fluid through the meter. For a more thorough cleaning, disassemble the meter per “ASSEMBLY / DISASSEMBLY” section, “Meter Chamber Assembly” subsection. Rinse all meter components thoroughly. Recalibrate meter following calibration instructions above.



IMPORTANT! When returning a meter for service, it must be triple rinsed and accompanied by a note stating what chemicals have been pumped through it. Meters not adhering to these specifications may be refused for service.

Storage

If your meter is to be stored for a period of time, clean it thoroughly. This will help protect the meter from possible damage.

Troubleshooting

The following troubleshooting guide is designed to help you with basic diagnostics and repairs if you should encounter abnormal service from your 900 series meter. We recommend you use only genuine Fill-Rite parts. These parts, and additional service information is available through your authorized Fill-Rite dealer.

Further troubleshooting information can be found in your pump manual. If you need additional assistance, please contact us at 1-800-634-2695 (M-F 8 AM–5 PM ET).

Concern	Possible Cause	Recommended Repair
Counter inaccurate.	Meter mis-calibrated.	Check calibration and recalibrate as necessary (directions on page 4).
	Air in lines or metering chamber.	Check line seals and joints for leakage; seal leaks appropriately.
	Measuring gears or disc are sticking.	Clean or replace internal metering components as necessary.
Fluid leak at shaft seal.	Dirty or damaged seal.	Clean O-Ring seal and seat, replace seal as necessary.
Low flow capacity.	Clogged meter chamber.	Clean meter chamber; clean or replace screens and filters in piping.
Meter body cracks.	Excess line pressure.	Install pressure relief valve to allow high pressure to bleed back to the tank. Replace cracked meter body.
Nutating Disc Broken.	Sudden high pressure fluid hitting disc.	Avoid surge flows by installing a shut-off valve on outlet of meter; install meter as close to the pump as possible, keep piping full of liquid. Replace broken disc.

Fluid Compatibility

The 900 series meter **IS** compatible with the following fluids:

Diesel Fuel Gasoline Kerosene Mineral Spirits Heptane Hexane

The 900 series meter **IS NOT** compatible with the following fluids:

Bleach Hydrochloric Acid Ink Sulfuric Acid Salt Water



CAUTION! If in doubt about compatibility of a specific fluid, contact supplier of fluid to check for any adverse reactions to the following wetted materials:

Ryton® Aluminum Stainless Steel Fluorocarbon Buna N
Polyester Teflon® Nickel

Assembly and Disassembly

The 900 Series Meter consist of a chamber housing, measuring chamber, gear train, counter assembly, and cover. The design of the meter is such that it can be completely disassembled without disturbing the piping (refer to diagram on page 7 for item number parts).

Counter Assembly

For access to the counter assembly:

- 1) Remove the reset knob (item 15) by grasping the edges and pulling firmly away from the meter.
- 2) Remove the two screws (item 14) at the top and bottom of the front bezel.
- 3) Lift bezel (item 11) off.
- 4) Remove the two screws (item 12) to detach the counter face (item 13).
- 5) Remove the two screws (item 9) to extract the counter mechanism.
- 6) Reassemble by reversing this procedure.

Meter Chamber Assembly

The Meter Chamber consists of upper and lower chambers, a nutating disc, and four screws.

- 1) To expose the meter chamber assembly, gear train and seal remove 4 screws (item 28).
- 2) The meter chamber can be dislodged by removing 4 screws (item 5).

Reassemble by reversing this procedure.



IMPORTANT! If replacing any components of the meter chamber, the complete assembly must be replaced due to its precision method of construction. This will assure a proper fit, and correct operation of the chamber.

Gear Train and Seal

To disassemble the gear train and seal:

- 1) Remove two screws (item 8) and gear frame (item 6).
- 2) Remove the gear cluster (item 18), washer (item 19), and shaft (item 17).
- 3) Remove the drive gear (item 24) and washers (item 23) by rotating and pulling the drive gear.
- 4) Remove the O-ring seal (item 25).



IMPORTANT! When reassembling seal, lubricate O-ring with oil or petroleum jelly and replace in cover. Place washer on drive gear shaft. Carefully rotate and push shaft through O-ring and cover to prevent damage to O-ring. Shaft must then be guided into pinion bevel (item 27) if counter has not been removed. Replace remaining parts to complete assembly by reversing disassembly procedure.

Repair

Meters needing repairs should be taken to an authorized repair facility. Meters **MUST** be triple rinsed before taking them in for repairs.

Safety Testing Approvals

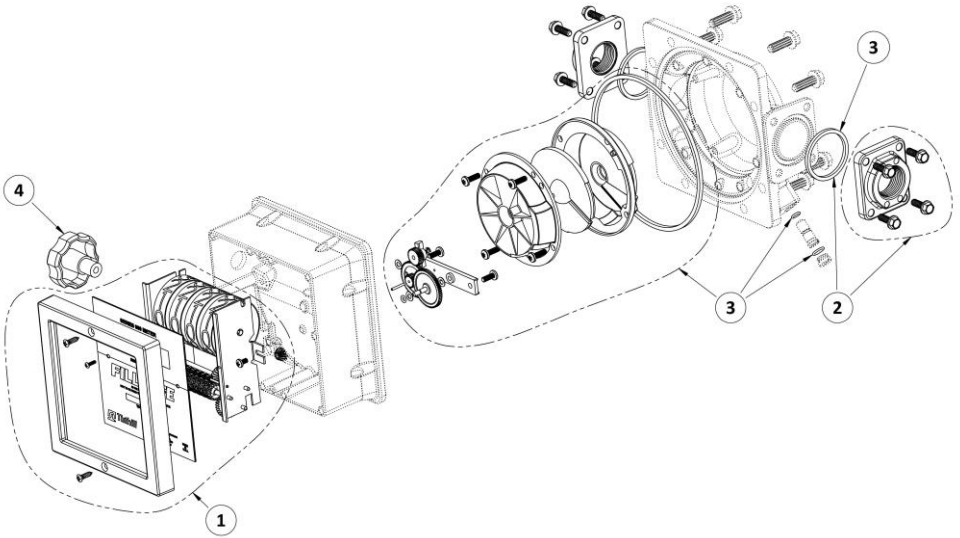
The *Fill-Rite* line of meters have been safety tested for compliance to the standards set forth by UL Laboratories.



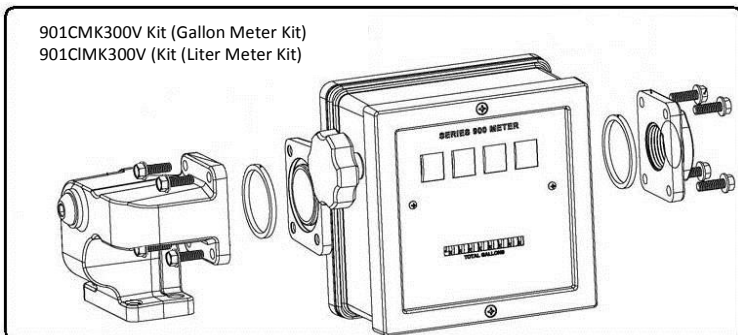
Replacement Parts Information

Replacement parts can be obtained through any authorized Fill-Rite dealer. Be sure to use only genuine Fill-Rite replacement parts for your service and maintenance needs. For a list of authorized dealers, please visit our web site at “www.fillrite.com”.

Models 901, 901N, 9011.5 901MK300, 901MK300V, 901LMK300V, & 901MK4200



Kits and accessories listed on page 8



Replacement Parts Information (cont'd)

Kit #	Kit	Description	Contents
1	KIT900GR (Gallons) KIT900LR (Liters)	900 Series Meter Register Kit	Face Plate, Register, Attaching Hardware
2	KIT900PF1N	1" Meter Flange Kit (NPT)	1" NPT Meter flanges, O-rings, attaching hardware
2	KIT900PF1.5N	1.5" Meter Flange Kit (NPT)	1.5" NPT Meter flanges, O-rings, attaching hardware
2	KIT900PF1B	1" Meter Flange Kit (BSPT)	1" BSPT Meter flanges, O-rings, attaching hardware
2	KIT900PF1.5B	1.5" Meter Flange Kit (BSPT)	1.5" BSPT Meter flanges, O-rings, attaching hardware
3	900KT	Metering and Seal Kit	Metering Chamber, Drive Gears, Associated Seals
4	800G8870	Reset Knob	Reset Knob
	901MK300V	900 Series Meter (gallons) with Inlet Flange for FR300 & FR700 Pumps	900 Series Meter (gallons)
			Inlet Flange (4-hole)
			Required O-rings
			Required Fasteners
	901LMK300V	900 Series Meter (liters) with Inlet Flange for FR300 & FR700 Pumps	900 Series Meter (liters)
			Inlet Flange (4-hole)
			Required O-rings
			Required Fasteners

Tuthill Product Warranty

Tuthill Transfer Systems ("Manufacturer") warrants each consumer buyer of its Fill-Rite products ("Buyer") from the date of invoice or sales receipt, that goods of its manufacture ("Goods") shall be free from defects of materials and workmanship. Duration of the warranty is as follows:

- Heavy Duty Products – Two Years
- Standard Duty Products – One Year
- Economy Duty Products – One Year
- Cabinet Meters, Parts, and Accessories – One Year

Manufacturers sole obligation under the foregoing warranties will be limited to either – at Manufacturers option – repairing or replacing defective goods (subject to limitations hereinafter provided) or refunding the purchase price for such Goods theretofore paid by the buyer, and Buyers exclusive remedy for breach of any such warranties will be enforcement of such obligations of the Manufacturer. If the Manufacturer so requests the return of such Goods, the Goods will be redelivered to the manufacturer in accordance with Manufacturers instructions FOB Factory. The remedies contained herein shall constitute the sole recourse of the Buyer against the Manufacturer for breach of warranty. **IN NO EVENT SHALL THE MANUFACTURER'S LIABILITY FOR ANY CLAIM FOR DAMAGES ARISING OUT OF THE MANUFACTURE, SALE, DELIVERY, OR USE OF THE GOODS EXCEED THE PURCHASE PRICE.** The foregoing warranties will not extend to goods subject to misuse, neglect, accident, improper installation or maintenance, or have been repaired by anyone other than the Manufacturer or its authorized representative. **THE FOREGOING WARRANTIES ARE EXCLUSIVE AND IN LIEU OF ALL OTHER WARRANTIES OF MERCHANTABILITY, FITNESS FOR PURPOSE OF ANY OTHER TYPE, WHETHER EXPRESSED OR IMPLIED.** No person may vary the forgoing warranties or remedies, except in writing signed by a duly authorized officer of the Manufacturer. The Buyer's acceptance of delivery of the Goods constitutes acceptance of the foregoing warranties and remedies, and all conditions and limitations thereof.

Tuthill Corporation recommends you retain your sales receipt as proof of purchase.



Medidor mecánico de líquido

Serie 900 – Flujo alto

901CL1.5, 901C, 901C1.5, 901CL, 901CL1.5X418 901CN1.5, 901CMK4200,
901CLMK4200, 901CLX418 901CLMK300, 901CIMP, 901CMK300, 901CMK300V
901CIMP1.5, 901CNL1.5X418, 901CLMK300V, 901CLN1.5

Índice

Índice.....	2
¡Gracias!.....	2
Acerca de este manual.....	2
Información de seguridad.....	3
Instalación.....	3
Calibración.....	4
Procedimiento para calibración.....	4
Instrucciones de operación.....	4
Mantenimiento.....	4
Instrucciones de limpieza.....	4
Almacenamiento.....	5
Solución de problemas.....	5
Compatibilidad con líquidos.....	5
Montaje y desmontaje.....	5
Reparación.....	6
Aprobaciones de pruebas de seguridad.....	6
Información sobre repuestos.....	7

¡Gracias!

¡Gracias por adquirir el medidor Fill-Rite serie 900! Su producto Fill-Rite cuenta con más de 80 años de experiencia en transferencia de líquidos, lo que le brindará valor, junto con un rendimiento superior, un diseño fácil de usar, una larga vida útil y un diseño de ingeniería simple y resistente. La experiencia que le proporciona tranquilidad.

¡Relájese, es Tuthill!

Acerca de este manual

Desde el concepto y el diseño inicial hasta el producto final, el medidor Fill-Rite se fabrica para darle años de servicio sin ningún problema. Para garantizar dicho servicio, **es fundamental que lea por completo este manual antes de intentar instalar y operar su nuevo medidor**. Familiarícese con los términos y diagramas, y preste mucha atención a las áreas destacadas con las siguientes etiquetas:



¡ADVERTENCIA! Destaca un área en que se pueden producir lesiones corporales e incluso la muerte si no se siguen las instrucciones de manera adecuada. También se pueden producir daños mecánicos.



¡IMPORTANTE! Estos cuadros contienen información que ilustra un punto que podría ahorrar tiempo o ser clave para la operación adecuada, o que clarifica un paso.



¡PRECAUCIÓN! No prestar atención al aviso de "Precaución" podría provocar daños al equipo.

En Fill-Rite, su satisfacción con nuestros productos es primordial para nosotros. Si tiene cualquier duda o necesita asistencia con nuestros productos, comuníquese con nosotros al 1-800-634-2695 (lunes a viernes de 8:00 a. m. a 5:00 p. m., hora del Este).

Información de seguridad



¡ADVERTENCIA! Para garantizar la operación segura y adecuada del equipo, es fundamental que lea y respete todas las precauciones y advertencias de seguridad que se indican a continuación. La instalación o el uso incorrectos de este producto pueden provocar lesiones graves o la muerte.

- 1) **NUNCA** fume cerca del medidor ni lo utilice cerca de una llama abierta mientras mida un líquido inflamable. Se puede producir un incendio.
- 2) En el orificio de salida del medidor se debe usar un filtro "Fill-Rite" para garantizar que ningún material extraño se transfiera al tanque de combustible.
- 3) Las juntas de tuberías roscadas y las conexiones se deben sellar con un sellador adecuado o cinta selladora para minimizar las posibilidades de filtraciones.
- 4) Los tanques de almacenamiento deben estar correctamente anclados para evitar su desplazamiento o volcamiento cuando estén llenos o vacíos.
- 5) Para minimizar la acumulación de electricidad estática, utilice solo un tubo flexible conductor de cableado estático cuando mida líquidos inflamables y mantenga la boquilla llena en contacto con el recipiente que se esté llenando durante el proceso de llenado.
- 6) **NO** exceda las 3,5 bar de presión en la tubería.
- 7) **NO** instale una válvula de contención o una válvula de retención adicional sin una válvula de alivio de presión, de lo contrario el dispensador podría romperse.



¡ADVERTENCIA! Este producto no se debe utilizar para transferir líquidos a ningún tipo de aeronave.



¡ADVERTENCIA! Este producto no es apto para su uso con líquidos destinados al consumo humano o líquidos que contengan agua.

Instalación

Los medidores están diseñados para una disposición horizontal de las tuberías, con flujo de izquierda a derecha. Los puertos de flujo se pueden cambiar a cualquiera de las cuatro posiciones para un sistema de tuberías horizontal o vertical, y para cualquier dirección de flujo.

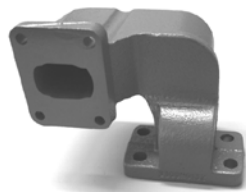
- 1) Determine la dirección de flujo del líquido.
- 2) Instale el medidor **teniendo presente la flecha direccional en la pieza fundida.**
- 3) Retire los cuatro tornillos (elemento 28).
- 4) Gire el conjunto de cubierta del medidor (elemento 37) en la orientación que desee.
- 5) Vuelva a colocar los cuatro tornillos (elemento 28).



¡PRECAUCIÓN! Las juntas de tuberías roscadas y las conexiones se deben sellar con un sellador adecuado o cinta selladora para minimizar las posibilidades de filtraciones.



¡IMPORTANTE! Si compró este medidor como parte de un "juego", la base del reborde del medidor tiene 4 orificios taladrados. Esto permite que el medidor se use con las bombas de las series 300 y 700. Alinee el soporte del medidor para la instalación e inserte los pernos en los dos orificios que se alinean con los orificios correspondientes en la salida de la bomba. Una vez que el soporte del medidor esté emperrado fijamente en su lugar, instale los dos tapones en los orificios que no se usaron para evitar que la humedad entre a ellos.



Calibración

Los medidores Fill-Rite de la serie 900 se pueden calibrar ya sea para galones de EE. UU. o litros. Se debe calibrar después de la instalación, después del desmontaje, cuando presente desgaste significativo o cuando se mida un líquido con una viscosidad distinta. Según el modelo, los medidores de la serie 900 vienen calibrados de fábrica en galones de EE. UU. o en litros con alcohol mineral. La calibración se debe realizar entre 23 y 151 LPM (6 y 40 GPM). La calibración del medidor se puede cambiar fácilmente siguiendo el procedimiento de calibración. Se necesitará un recipiente con un volumen **CONOCIDO** para el proceso de calibración. Para el medidor de la serie 900, se debe usar un recipiente de 19 L (5 galones) o más.

Procedimiento para calibración

- 1) Para obtener la calibración más precisa, instale el medidor en la aplicación. Llene un recipiente hasta un volumen conocido con el líquido que se medirá.
- 2) Si la cantidad del medidor es incorrecta, gire el tornillo de calibración (elemento 31) hacia la izquierda para obtener menos líquido, o hacia la derecha para obtener más.
- 3) Repita los pasos 1 y 2 hasta que la calibración sea aceptable.

Instrucciones de operación

Para obtener mediciones precisas y evitar que el medidor se dañe, el medidor y el sistema de tuberías siempre deben estar llenos con líquido y no deben tener aire. El medidor se debe calibrar según las instrucciones en este manual antes de usarlo.

- 1) Detenga el flujo de líquido.
- 2) Restablezca el registro a "0".
- 3) El medidor está listo para ser usado. Inicie el flujo de líquido. No sobrepase la presión de la tubería de 3,5 bar.

Mantenimiento

Su medidor Fill-Rite de la serie 900 debería operar prácticamente sin mantenimiento. Sin embargo, algunos líquidos pueden secarse mientras están en el alojamiento del medidor, lo que causa que este deje de funcionar o funcione mal. Si esto ocurre, se debe limpiar meticulosamente el medidor.

Instrucciones de limpieza

Haga correr un líquido de enjuague a través del medidor. Para una limpieza más meticulosa, desarme el medidor según la sección "MONTAJE Y DESMONTAJE", subsección "Montaje de la cámara del medidor". Enjuague meticulosamente todos los componentes del medidor. Vuelva a calibrar el medidor según las instrucciones de calibración anteriores.



¡IMPORTANTE! Cuando envíe un medidor a mantenimiento, se debe enjuagar tres veces y se debe acompañar con una nota que indique qué productos químicos se han bombeado por él. Los medidores que se no apeguen a estas especificaciones podrían ser rechazados.

Almacenamiento

Si se va a almacenar el medidor por un periodo prolongado, límpielo completamente. Esto ayudará a proteger el medidor de posibles daños.

Solución de problemas

La siguiente guía de solución de problemas está diseñada para ayudarlo con los diagnósticos y reparaciones básicos en caso de que se encontrara con un funcionamiento anormal de su medidor de la serie 900. Recomendamos que use solo piezas Fill-Rite originales. Estas piezas, así como información de mantenimiento adicional, están disponibles mediante su distribuidor Fill-Rite autorizado.

En el manual de la bomba puede encontrar más información sobre la solución de problemas. Si necesita más asistencia, comuníquese con nosotros al 1-800-634-2695 (lunes a viernes de 8:00 a. m. a 5:00 p. m., hora del Este).

Problema	Causa posible	Reparación recomendada
Coteo no preciso.	Mala calibración del medidor.	Revise la calibración y vuelva a calibrar según sea necesario (instrucciones en la página 4).
	Aire en la tubería o en la cámara del medidor.	Revise los sellos de las tuberías y las juntas en busca de filtraciones. Selle las juntas correctamente.
	El mecanismo de medición o los discos están bloqueados.	Limpe o reemplace los componentes de medición internos según sea necesario.
Fuga de líquido en el sello del eje.	Sello sucio o dañado.	Limpe el sello y el asiento de la junta tórica, reemplace el sello según sea necesario.
Baja capacidad de flujo.	Cámara del medidor obstruida.	Limpe la cámara del medidor, limpie o reemplace las rejillas o los filtros en las tuberías.
Grietas en el cuerpo del medidor.	Presión excesiva en la tubería.	Instale una válvula de alivio de presión para permitir que la presión alta se purgue de vuelta al tanque. Reemplace el cuerpo del medidor con grietas.
Disco de nutación roto.	Alta presión repentina del líquido golpea el disco.	Instale una válvula de cierre en la salida del medidor para evitar las subidas de flujo. Instale el medidor lo más cerca posible de la bomba y mantenga la tubería llena de líquido. Reemplace el disco roto.

Compatibilidad con líquidos

El medidor de la serie 900 **ES** compatible con los siguientes líquidos:

Combustible diesel, gasolina, keroseno, alcoholes minerales, heptano, hexano

El medidor de la serie 900 **NO ES** compatible con los siguientes líquidos:

Cloro, ácido clorhídrico, tinta, ácido sulfúrico, agua salada



¡PRECAUCIÓN! Si tiene dudas sobre la compatibilidad de líquidos específicos, comuníquese con el proveedor del líquido para verificar cualquier reacción adversa con los siguientes materiales húmedos:

Ryton®

Aluminio

Acero inoxidable

Fluorocarburo

Buna N

Poliéster

Teflon®

Níquel

Montaje y desmontaje

El medidor de la serie 900 consta de un alojamiento de la cámara, una cámara de medición, un juego de engranajes, un conjunto de contador y una cubierta. El medidor está diseñado de manera que se puede desmontar completamente sin perturbar el sistema de tuberías (consulte el diagrama en la página 7 para ver los números de piezas de los elementos).

Conjunto de contador

Para acceder al conjunto del contador:

- 1) Tome los bordes de la perilla de reajuste (elemento 15) y tírela firmemente en dirección opuesta al medidor para retirarla.
- 2) Retire los dos tornillos (elemento 14) en la parte superior e inferior de la tapa frontal.
- 3) Retire la tapa (elemento 11).
- 4) Retire los dos tornillos (elemento 12) para desprender la superficie del contador (elemento 13).
- 5) Retire los dos tornillos (elemento 9) para extraer el mecanismo contador.
- 6) Para volver a montar, invierta el procedimiento.

Conjunto de la cámara del medidor

La cámara del medidor consta de las cámaras superior e inferior, un disco de nutación y cuatro tornillos.

- 1) Retire los 4 tornillos para exponer el conjunto de la cámara del medidor, el juego de engranajes y el sello (elemento 28).
- 2) La cámara del medidor se puede sacar si retira los 4 tornillos (elemento 5).

Para volver a montar, invierta el procedimiento.



¡IMPORTANTE! Si se reemplaza cualquier componente de la cámara del medidor, se debe reemplazar el conjunto completo debido a su método de fabricación de precisión. Esto asegurará un ajuste adecuado y un correcto funcionamiento de la cámara.

Juego de engranajes y sello

Para desmontar el juego de engranajes y el sello:

- 1) Retire los dos tornillos (elemento 8) y la estructura del engranaje (elemento 6).
- 2) Retire el juego de engranaje (elemento 18), la arandela (elemento 19) y el eje (elemento 17).
- 3) Gire y tire del engranaje conductor (elemento 24) para retirar este engranaje y las arandelas (elemento 23).
- 4) Retire el sello de la junta tórica (elemento 25).



¡IMPORTANTE! Al volver a montar el sello, lubrique las juntas tóricas con aceite o vaselina y reemplácelo en la cubierta. Coloque la arandela en el eje del engranaje conductor. Gire y presione cuidadosamente el eje a través de la junta tórica y la cubierta para evitar dañar la junta tórica. Entonces, se debe guiar el eje hacia el bisel de piñón (elemento 27) si no se ha retirado el contador. Revierta el proceso de desmontaje para reemplazar las piezas restantes y completar el montaje.

Reparación

Los medidores que necesiten reparaciones se deben llevar a una instalación de reparación autorizada. Los medidores se DEBEN enjuagar tres veces antes de llevarlos a reparaciones.

Aprobaciones de pruebas de seguridad

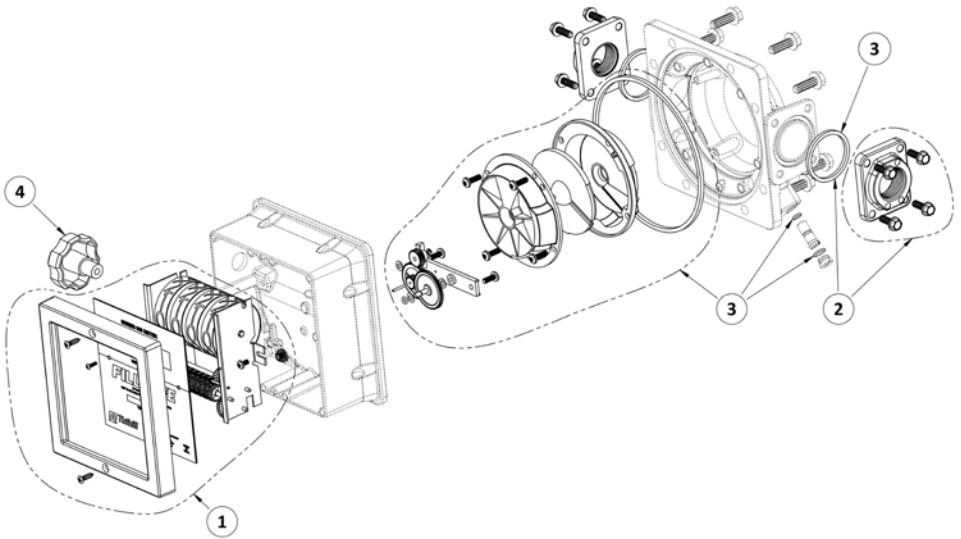
La línea de medidores **Fill-Rite** ha pasado pruebas de seguridad para cumplir las normas establecidas por Underwriters Laboratories (UL).



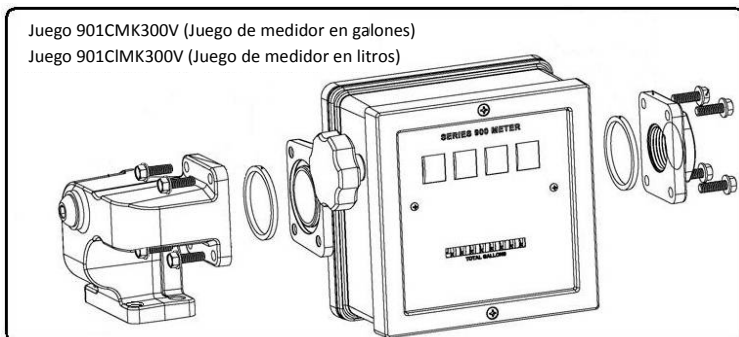
Información sobre repuestos

Los repuestos se pueden obtener por medio de un distribuidor Fill-Rite autorizado. Asegúrese de utilizar solo piezas de repuesto originales de Fill-Rite para sus necesidades de servicio y mantenimiento. Si desea ver una lista de los distribuidores autorizados, visite nuestro sitio Web "www.fillrite.com".

Modelos 901, 901N, 9011.5 901MK300, 901MK300V, 901LMK300V y 901MK4200



Los juegos y accesorios se indican en la página 8



Información sobre repuestos (continuación)

N.º de juego	Juego	Descripción	Contenido
1	KIT900GR (Galones estadounidenses) KIT900LR (Litros)	Juego de registrador del medidor de la serie 900	Placa frontal, registrador, piezas metálicas de sujeción
2	KIT900PF1N	Juego de brida de medidor de 1" (NPT)	Bridas de medidor de 1" NPT, juntas tóricas, piezas metálicas de sujeción
2	KIT900PF1.5N	Juego de brida de medidor de 1,5" (NPT)	Bridas de medidor de 1,5" NPT, juntas tóricas, piezas metálicas de sujeción
2	KIT900PF1B	Juego de brida de medidor de 1" (BSPT)	Bridas de medidor de 1" BSPT, juntas tóricas, piezas metálicas de sujeción
2	KIT900PF1.5B	Juego de brida de medidor de 1,5" (BSPT)	Bridas de medidor de 1,5" BSPT, juntas tóricas, piezas metálicas de sujeción
3	900KT	Juego de medición y sello	Cámara de medición, engranajes impulsores, sellos asociados
4	800G8870	Perilla de reajuste	Perilla de reajuste
	901MK300V	Medidor de la serie 900 (galones) con brida de entrada para las bombas FR300 y FR700	Medidor de la serie 900 (galones) Brida de entrada (4 orificios) Juntas tóricas necesarias Sujetadores necesarios
	901LMK300V	Medidor de la serie 900 (litros) con brida de entrada para las bombas FR300 y FR700	Medidor de la serie 900 (litros) Brida de entrada (4 orificios) Juntas tóricas necesarias Sujetadores necesarios

Garantía de productos Tuthill

Tuthill Transfer Systems (en adelante el "Fabricante") garantiza a cada comprador consumidor de sus productos Fill-Rite (en adelante el "Comprador"), a partir de la fecha de la factura o comprobante de venta, que los productos fabricados por la empresa (en adelante los "Productos") no presentarán defectos de materiales ni de fabricación. La duración de la garantía es la siguiente:

- Productos para servicio pesado: dos años
- Productos para servicio estándar: un año
- Productos para servicio económico: un año
- Medidores de gabinete, piezas y accesorios: un año

La obligación exclusiva del Fabricante, de acuerdo con las garantías anteriores, se limitará, según la opción del Fabricante, a la reparación o reemplazo de los Productos defectuosos, (sujeto a las limitaciones que se indican más adelante) o al reembolso del valor de la compra de tales Productos pagados hasta entonces por el Comprador. El único recurso de los Compradores por el incumplimiento de cualquiera de estas garantías será el cumplimiento de tales obligaciones del Fabricante. Si el Fabricante solicita la devolución de tales Productos, estos se le reenviarán de acuerdo con las instrucciones de franco a bordo de la fábrica del Fabricante. Los recursos que se indican en este documento constituirán el único recurso del Comprador contra el Fabricante por el incumplimiento de la garantía. **EN NINGÚN CASO LA RESPONSABILIDAD DEL FABRICANTE POR CUALQUIER RECLAMO POR DAÑOS QUE SURJAN DE LA FABRICACIÓN, VENTA, ENTREGA O USO DE LOS PRODUCTOS EXCEDERÁ EL VALOR DE LA COMPRA.** Las garantías anteriores no se extenderán a los productos sujetos a un uso indebido, negligencia, accidente, mantenimiento o instalación incorrecta, o que hayan sido reparados por alguien que no sea el Fabricante o sus representantes autorizados. **LAS GARANTÍAS ANTERIORES SON EXCLUSIVAS Y REEMPLAZAN TODA OTRA GARANTÍA DE COMERCIABILIDAD, IDONEIDAD PARA UN PROPÓSITO DE CUALQUIER OTRO TIPO, YA SEA EXPRESA O IMPLÍCITA.** Ninguna persona podrá variar las garantías o recursos anteriores excepto por escrito y firmado por un trabajador debidamente autorizado por el Fabricante. La aceptación de la entrega de los Productos al Comprador constituye la aceptación de los recursos y las garantías anteriores, al igual que de todas las condiciones y limitaciones del presente documento.

Tuthill Corporation recomienda que conserve el comprobante de venta como prueba de su compra.



Compteur mécanique de liquides

Série 900 – Haut débit

901CL1.5, 901C, 901C1.5, 901CL, 901CL1.5X418 901CN1.5, 901CMK4200,
901CLMK4200, 901CLX418 901CLMK300, 901CIMP, 901CMK300, 901CMK300V
901CIMP1.5, 901CNL1.5X418, 901CLMK300V, 901CLN1.5

Sommaire

Sommaire.....	2
Merci !	2
À propos de ce manuel	2
Informations sur la sécurité	3
Installation.....	3
Étalonnage.....	4
Procédure de calibrage	4
Instructions opérationnelles.....	4
Maintenance	4
Instructions de nettoyage	4
Stockage	5
Dépannage	5
Compatibilité des fluides	5
Montage et démontage	5
Réparation	6
Homologations de tests de sécurité.....	6
Informations sur les pièces de rechange	7

Merci !

Nous vous remercions d'avoir acheté un compteur Fill-Rite de Série 900 ! Votre produit Fill-Rite a derrière lui une expérience de plus de 80 ans dans le transfert de fluide et vous apporte la valeur qui découle d'une performance supérieure, d'un modèle convivial, d'une longue durée de vie et d'une construction solide et simple. Une expérience qui vous apporte la tranquillité d'esprit.

Vous pouvez dormir tranquille – c'est Tuthill !

À propos de ce manuel

De la conception et du plan initiaux à la production finale, votre compteur Fill-Rite a été fabriqué pour vous apporter des années d'utilisation sans incident. Pour s'assurer qu'il offre ce service, **il est essentiel de lire le présent manuel dans son intégralité avant de tenter d'installer ou de faire fonctionner votre nouveau compteur**. Familiarisez-vous avec les termes et les schémas, et faites attention aux parties en surbrillance sur les étiquettes suivantes :



AVERTISSEMENT ! Signale une partie où le non-respect des instructions peut entraîner de graves blessures, voire même la mort. Des dommages mécaniques peuvent également se produire.



IMPORTANT ! Ces encadrés contiennent des informations qui illustrent un point qui peut économiser du temps ou peut être essentiel à un bon fonctionnement, ou bien clarifier une étape.



ATTENTION ! Le non-respect d'une « ATTENTION » peut endommager le matériel.

Chez Fill-Rite, votre satisfaction avec nos produits est primordiale pour nous. Si vous avez des questions ou si vous avez besoin d'aide concernant ce produit, contactez-nous au 1-800-634-2695 (du lundi au vendredi, de 8 h à 17 h, heure de New York).

Informations sur la sécurité



AVERTISSEMENT ! Pour assurer un fonctionnement sûr et approprié de votre matériel, il est essentiel de lire et de tenir compte de l'ensemble des avertissements et précautions de sécurité suivants. Une mauvaise installation ou utilisation de ce produit peut entraîner de graves blessures corporelles, voire même la mort !

- 1) Ne fumez **JAMAIS** près d'un compteur, et n'utilisez pas le compteur près d'une flamme nue lorsque vous mesurez un liquide inflammable. Un incendie pourrait se produire !
- 2) Un filtre « Fill-Rite » doit être utilisé sur la sortie du débitmètre pour qu'aucun matériau étranger ne s'infilte dans le réservoir de carburant.
- 3) Les joints et les raccords filetés des tubes doivent être rendus étanches avec l'agent d'étanchéité ou le ruban d'étanchéité approprié afin de minimiser les risques de fuite.
- 4) Les réservoirs de stockage doivent être bien fixés pour éviter le déplacement ou le basculement lorsqu'ils sont pleins ou vides.
- 5) Afin de minimiser l'électricité statique, utilisez uniquement des tuyaux conducteurs à fil statique pour mesurer des fluides inflammables, et maintenez le pistolet de remplissage en contact avec le récipient pendant le processus de remplissage.
- 6) Ne dépassez **PAS** 3,5 bars (50 psi) de pression de ligne.
- 7) N'installez **PAS** de clapet de pied, ni de clapet de retenue sans une soupape de décharge car le compteur pourrait se fêler.



AVERTISSEMENT ! Ce produit ne devra pas être utilisé pour transférer des fluides dans des avions, quel que soit leur type.



AVERTISSEMENT ! Ce produit ne doit pas être utilisé avec des liquides prévus pour la consommation humaine ou des liquides contenant de l'eau.

Installation

Les compteurs sont fournis pour une tuyauterie horizontale à débit allant de gauche à droite. Les orifices de débit peuvent être modifiés dans l'une des quatre positions pour une tuyauterie horizontale ou verticale, et pour tout sens de débit.

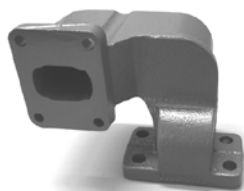
- 1) Déterminez le sens du fluide qui s'écoule.
- 2) Installez le compteur **en observant la flèche directionnelle coulée.**
- 3) Retirez quatre vis (article 28).
- 4) Tournez le couvercle du compteur (article 37) dans l'orientation désirée.
- 5) Remettez les quatre vis (article 28) en place.



ATTENTION ! Les joints et les raccords filetés des tubes doivent être rendus étanches avec l'agent d'étanchéité ou le ruban d'étanchéité approprié afin de minimiser les risques de fuite.



IMPORTANT ! Si vous avez acheté ce compteur dans un « kit », la base de la bride du compteur est percée de quatre trous. Ceci permet de l'utiliser avec les pompes des séries 300 et 700. Alignez le support du compteur pour l'installation et insérez les boulons dans les deux trous alignés avec les orifices correspondants de la sortie de la pompe. Lorsque le support du compteur est bien boulonné, insérez les deux bouchons dans les trous non utilisés pour éviter l'infiltration de l'humidité.



Étalonnage

Les compteurs Fill-Rite de Série 900 peuvent être calibrés pour des gallons américains ou des litres. Le calibrage est nécessaire après l'installation, un démontage, une usure significative ou avec un fluide d'une viscosité différente. En fonction du modèle, les compteurs de Série 900 sont calibrés en usine soit en gallons américains soit en litres à l'aide d'essence minérale. Le calibrage doit être réalisé entre 23 et 151 l/min (6 et 40 gal/min). Le calibrage du compteur peut être facilement modifié en suivant la procédure prévue. Un récipient d'un volume **CONNU** est requis pour la procédure de calibrage. Pour le compteur de Série 900, il faut utiliser un conteneur d'au moins 19 l (5 gal).

Procédure de calibrage

- 1) Pour obtenir le calibrage le plus précis possible, installez le compteur dans l'application. Remplissez un conteneur d'un volume connu avec le liquide à mesurer.
- 2) Si la quantité du compteur est incorrecte, faites tourner la vis de calibrage (article 31) dans le sens contraire des aiguilles pour moins de liquide ou dans le sens des aiguilles d'une montre pour plus de liquide.
- 3) Répétez les étapes 1 et 2 jusqu'à ce que le calibrage soit acceptable.

Instructions opérationnelles

Pour obtenir une mesure précise et éviter d'endommager le compteur, le compteur et la tuyauterie doivent toujours être remplis de liquide et sans air. Le compteur doit être calibré conformément aux instructions de ce manuel avant son utilisation.

- 1) Arrêtez l'écoulement du liquide.
- 2) Réinitialisez l'enregistreur à « 0 ».
- 3) Le compteur est prêt à l'emploi. Démarrez l'écoulement du liquide. Ne dépassez pas 3,5 bar (50 psi) de pression de ligne.

Maintenance

Votre compteur Fill-Rite de Série 900 devrait fonctionner pratiquement sans entretien. Néanmoins, certains liquides peuvent se dessécher dans le carter de compteur, entraînant l'arrêt ou le mauvais fonctionnement du compteur. Dans ce cas, le compteur doit être complètement nettoyé.

Instructions de nettoyage

Faites passer un liquide de rinçage dans le compteur. Pour un nettoyage plus approfondi, démontez le compteur selon la section « MONTAGE ET DÉMONTAGE », la sous-section « Ensemble de la chambre du compteur ». Rincez tous les composants du compteur à fond. Recalibrez les instructions de calibrage suivantes ci-dessus.



IMPORTANT ! Lorsqu'un compteur est envoyé pour réparation, il doit être rincé trois fois et accompagné d'une note mentionnant les produits chimiques pompés. Les compteurs ne respectant pas ces instructions pourront être refusés.

Stockage

Si votre compteur est rangé pendant un certain temps, nettoyez-le soigneusement. Ceci contribue à le protéger des éventuels dommages.

Dépannage

Le guide de dépannage suivant a été conçu pour vous aider à établir les diagnostics et réparations de base en cas de fonctionnement anormal de votre compteur de la série 900. Nous recommandons l'usage des pièces d'origine Fill-Rite uniquement. Ces pièces, ainsi que des informations supplémentaires, sont disponibles auprès de votre distributeur agréé Fill-Rite.

D'autres informations de dépannage figurent dans votre manuel de pompe. Si vous avez besoin d'une assistance supplémentaire, contactez-nous au 1-800-634-2695 (du lundi au vendredi, de 8h à 17h, heure de l'Est).

Souci	Cause probable	Réparation conseillée
Compteur inexact.	Compteur mal calibré.	Vérifiez le calibrage et calibrez à nouveau le cas échéant (les instructions se trouvent à la page 4).
	Il y a de l'air dans les conduites ou dans la chambre de mesure.	Vérifiez les fuites des joints d'étanchéité et des joints de la conduite ; rendez-les étanches de façon appropriée.
	Les engrenages ou disques de mesure sont grippés.	Nettoyez ou remplacez les composants internes le cas échéant.
Fuite de liquide au niveau de la garniture d'étanchéité d'arbre.	Garniture sale ou endommagée.	Nettoyez la garniture d'étanchéité et le siège du joint torique, remplacez la garniture selon les besoins.
Faible pouvoir d'écoulement.	La chambre du compteur est bouchée.	Nettoyez la chambre du compteur, nettoyez ou remplacez les tamis et les filtres de la tuyauterie.
Le corps du compteur se fêle.	Pression de ligne excessive.	Installez une soupape de décharge pour que la haute pression soit purgée vers le réservoir. Remplacez le corps du compteur fêlé.
Disque oscillant cassé.	Une haute pression soudaine a touché le disque.	Évitez les écoulements en surpression en installant une vanne d'isolement à la sortie du compteur ; installez le compteur aussi près que possible de la pompe, gardez la tuyauterie pleine de liquide. Remplacez le disque cassé.

Compatibilité des fluides

Le compteur de la Série 900 EST compatible avec les fluides suivants :

Diesel Essence Kérosène Essences minérales Heptane Hexane

Le compteur de la Série 900 N'EST PAS compatible avec les fluides suivants :

Eau de javel Acide chlorhydrique Encre Acide sulfurique Eau salée



ATTENTION ! En cas de doute sur la compatibilité d'un fluide spécifique, contactez son fournisseur pour vérifier toute réaction aux matériaux mouillés suivants :

Ryton®	Aluminium	Acier inoxydable	Fluorocarbène	Buna N
Polyester	Teflon®	Nickel		

Montage et démontage

Le compteur de la série 900 comporte un boîtier de chambre, une chambre de mesure, un arbre d'entraînement, un ensemble de compteur et un couvercle. La conception du compteur autorise son démontage complet sans déranger toute la tuyauterie (reportez-vous au schéma de la page 7 pour les numéros des pièces).

Ensemble de compteur

Pour accéder à l'ensemble de compteur :

- 1) Retirez le bouton de remise en position (article 15) en saisissant les bords et en l'écartant fermement du compteur.
- 2) Retirez les deux vis (article 14) en haut et en bas de la collerette avant.
- 3) Enlevez la collerette (article 11).
- 4) Retirez les deux vis (article 12) pour détacher la face du compteur (article 13).
- 5) Retirez les deux vis (article 9) pour extraire le mécanisme du compteur.
- 6) Remontez en inversant cette procédure.

Ensemble de la chambre du compteur

La chambre du compteur comporte des chambres supérieures et inférieures, un disque oscillant et quatre vis.

- 1) Pour exposer l'ensemble de la chambre du compteur, l'arbre d'entraînement et le joint d'étanchéité, retirez 4 vis (article 28).
- 2) La chambre du compteur peut être dégagée en enlevant 4 vis (article 5).

Remontez en inversant cette procédure.



IMPORTANT ! Si vous devez remplacer un composant de la chambre du compteur, tout l'ensemble doit être remplacé à cause de la méthode de construction précise. Ainsi, la chambre s'adaptera parfaitement et fonctionnera bien.

Arbre d'entraînement et joint d'étanchéité

Pour démonter l'arbre d'entraînement et le joint d'étanchéité :

- 1) Retirez deux vis (article 8) et le cadre du train (article 6).
- 2) Retirez le groupe d'engrenages (article 18), la rondelle (article 19) et l'arbre (article 17).
- 3) Retirez l'engrenage (article 24) et les rondelles (article 23) en faisant tourner et tirant l'engrenage.
- 4) Retirez le joint torique (article 25).



IMPORTANT ! Lors du remontage du joint, lubrifiez le joint torique avec de l'huile ou de la vaseline et remettez en place dans le couvercle. Mettez la rondelle sur l'arbre d'entraînement. Faites soigneusement tourner et enfoncez l'arbre dans le joint torique et le couvrez pour éviter d'endommager le joint torique. L'arbre doit alors être guidé dans le cône de pignon (article 27) si le compteur n'a pas été retiré. Remettez les pièces restantes en place pour compléter l'ensemble en inversant la procédure de démontage.

Réparation

Les compteurs devant être réparés doivent être apportés à une installation de réparation agréée. Les compteurs DOIVENT être rincés trois fois avant de partir en réparation.

Homologations de tests de sécurité

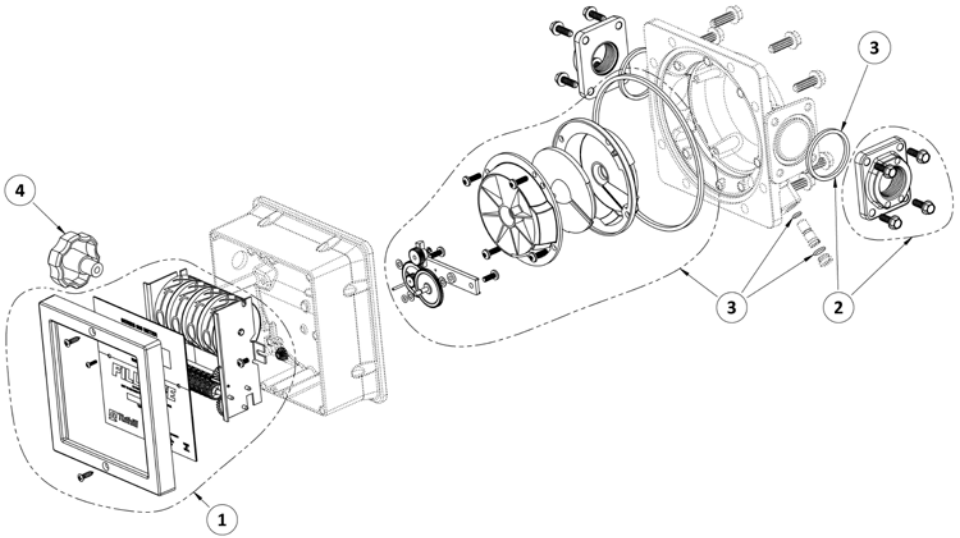
La sécurité de la gamme de compteurs **Fill-Rite** a été testée en conformité aux normes établies par UL Laboratories.



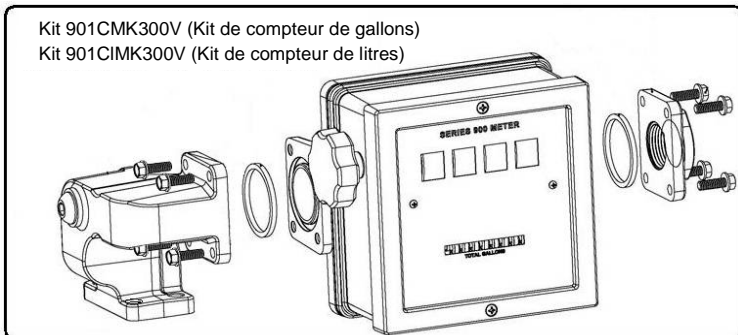
Informations sur les pièces de rechange

Les pièces de rechange peuvent être obtenues auprès d'un distributeur agréé Fill-Rite. S'assurer de n'utiliser que des pièces de rechange originales de Fill-Rite pour l'entretien et les réparations. Pour obtenir une liste de concessionnaires agréés, prière de consulter notre site Web à www.fillrite.com.

Modèles 901, 901N, 9011.5 901MK300, 901MK300V, 901LMK300V et 901MK4200



Kits et accessoires listés en page 8



Informations sur les pièces de rechange (suite)

N° Kit	Kit	Description	Contenu
1	KIT900GR (Gallons) KIT900LR (Litres)	Kit d'enregistreur de compteur de Série 900	Plaque de face, enregistreur, éléments de fixation
2	KIT900PF1N	Kit de brides de compteur de 1" (NPT)	Brides de compteur de 1" NPT, joints toriques, éléments de fixation
2	KIT900PF1.5N	Kit de brides de compteur de 1,5" (NPT)	Brides de compteur de 1,5" NPT, joints toriques, éléments de fixation
2	KIT900PF1B	Kit de brides de compteur de 1" (BSPT)	Brides de compteur de 1" BSPT, joints toriques, éléments de fixation
2	KIT900PF1.5B	Kit de brides de compteur de 1,5" (BSPT)	Brides de compteur de 1,5" BSPT, joints toriques, éléments de fixation
3	900KT	Kit de mesure et de joints d'étanchéité	Chambre de mesure, engrenages, joints connexes
4	800G8870	Bouton de remise en position	Bouton de remise en position
	901MK300V	Compteur de Série 900 (gallons) avec bride d'entrée pour les pompes FR300 et FR700	Compteur de la série 900 (gallons) Bride d'entrée (4 trous) Joints toriques requis Attaches requises
	901LMK300V	Compteur de Série 900 (litres) avec bride d'entrée pour les pompes FR300 et FR700	Compteur de la série 900 (litres) Bride d'entrée (4 trous) Joints toriques requis Attaches requises

Garantie sur le produit Tuthill

Tuthill Transfer Systems (Le « Fabricant ») garantit à chaque acheteur-consommateur de ses produits Fill-Rite (« l'Acheteur ») à compter de la date de la facture ou du ticket de caisse, que les marchandises de sa fabrication (« Marchandises ») sont exemptes de tout vice de matériau et de fabrication. La garantie dure comme suit :

- Produits à usage industriel – deux ans
- Produits d'usage normal – un an
- Produits d'usage économique – un an
- Compteurs pour armoires, pièces et accessoires – un an

La seule obligation du Fabricant au titre des garanties énoncées précédemment sera limitée – à la discrétion du Fabricant – au remplacement ou à la réparation des marchandises défectueuses (sous réserve des restrictions énoncées ci-après), ou bien au remboursement du prix d'achat pour lesdites Marchandises pour autant qu'elles soient payées par l'acheteur, et le recours exclusif de l'acheteur pour rupture desdites garanties sera la mise en application desdites obligations du Fabricant. Si le Fabricant demande donc le retour des Marchandises, celles-ci seront relivrées FOB usine au Fabricant conformément aux instructions du Fabricant. Le recours contenu dans la présente devront constituer le seul et unique recours de l'Acheteur contre le Fabricant pour violation de garantie. **LE FABRICANT NE DEVRA EN AUCUN CAS ÊTRE TENU RESPONSABLE DE TOUTE RÉCLAMATION POUR DES DOMMAGES RÉSULTANT DE LA FABRICATION, DE LA VENTE, DE LA LIVRAISON OU DE L'UTILISATION DES MARCHANDISES ET SUPÉRIEURS AU PRIX D'ACHAT.** Les garanties énoncées précédemment ne s'étendront pas aux marchandises soumises à une mauvaise utilisation, une négligence, un accident, une pose ou une maintenance inappropriée, ou qui ont été réparées ou modifiées par quiconque autre que le Fabricant ou son représentant agréé. **LES GARANTIES ÉNONCÉES PRÉCÉDEMMENT SONT EXCLUSIVES ET TIENNENT LIEU ET PLACE DE TOUTES LES AUTRES GARANTIES DE QUALITÉ MARCHANDE OU LOYALE DE TOUT AUTRE TYPE, QU'ELLES SOIENT EXPRESSES OU TACITES.** Personne ne peut modifier les garanties ou recours précédemment énoncés sauf par écrit et avec la signature d'un membre de la direction du Fabricant dûment autorisé. L'acceptation par l'Acheteur de la livraison des Marchandises constitue l'acceptation des garanties et recours précédemment énoncés ainsi que de toutes les conditions et restrictions correspondantes.

Tuthill Corporation vous recommande de conserver votre ticket de caisse en tant que reçu.



Mechanische Flüssigkeitszähler

Serie 900 – Hoher Durchfluss

901CL1.5, 901C, 901C1.5, 901CL, 901CL1.5X418 901CN1.5, 901CMK4200,
901CLMK4200, 901CLX418 901CLMK300, 901CIMP, 901CMK300, 901CMK300V
901CIMP1.5, 901CNL1.5X418, 901CLMK300V, 901CLN1.5

Inhalt

Inhalt.....	2
Vielen Dank!.....	2
Zu diesem Handbuch	2
Sicherheitsinformationen	3
Montage	3
Kalibrierung.....	4
Kalibrierungsverfahren	4
Betriebsanweisungen	4
Wartung	4
Reinigungsanweisungen	4
Lagerung.....	5
Störungsbeseitigung.....	5
Flüssigkeitsverträglichkeit.....	5
Zusammenbau und Zerlegen	5
Reparatur	6
Sicherheitsprüfungszulassungen.....	6
Ersatzteil-Informationen	7

Vielen Dank!

Vielen Dank für den Kauf des Fill-Rite Zählers der Serie 900! Das Fill-Rite Produkt wird durch mehr als 80 Jahre Erfahrung im Flüssigkeitstransfer gestützt und bietet Ihnen den besten Wert, überlegene Leistung, ein benutzerfreundliches Design, lange Lebensdauer und solide, einfache Technik. Erfahrung, die Ihnen Sorgenfreiheit bietet.

Seien Sie beruhigt – es ist eine Tuthill!

Zu diesem Handbuch

Vom anfänglichen Konzept bis zur endgültigen Produktion ist der Fill-Rite Zähler für problemlosen Betrieb auf Jahre hinaus ausgelegt. Um diese Funktionsweise zu gewährleisten, **müssen Sie dieses gesamte Handbuch durchlesen, bevor der Einbau oder Betrieb des neuen Zählers versucht wird.** Machen Sie sich mit den Begriffen und Diagrammen vertraut und achten Sie genau auf die hervorgehobenen Bereiche mit den folgenden Bezeichnungen:



WARNUNG! Hebt einen Bereich hervor, in dem bei Nichtbefolgung der Anweisungen schwere oder tödliche Verletzungen auftreten können. Es können auch mechanische Schäden entstehen.



WICHTIG! Diese Textfelder enthalten Informationen, die auf Zeitersparnisse hinweisen, für den korrekten Betrieb wichtig sind oder einen Arbeitsschritt weiter erläutern.



VORSICHT! Bei Nichtbeachtung eines „Vorsichtshinweises“ besteht die Gefahr von Maschinenschäden.

Bei Fill-Rite ist Ihre Zufriedenheit mit unseren Produkten von höchster Bedeutung. Bei Fragen oder wenn Sie Hilfe mit dem Produkt benötigen, kontaktieren Sie uns bitte unter der Rufnummer 1-800-634-2695 (Mo-Fr 8.00-17.00 Uhr EST).

Sicherheitsinformationen



WARNUNG! Zur Gewährleistung der sicheren und korrekten Funktionsweise des Geräts müssen alle Sicherheitswarnungen und Vorsichtsmaßnahmen gelesen und befolgt werden. Unsachgemäßer Einbau oder Einsatz dieses Produktes kann zu schweren oder tödlichen Verletzungen führen!

- 1) **NIEMALS** in der Nähe des Zählers rauchen und den Zähler beim Messen entzündlicher Flüssigkeiten nicht in der Nähe von offenen Flammen verwenden! Es besteht Brandgefahr!
- 2) Ein „Fill-Rite“-Filter muss am Auslass des Zählers vorgesehen werden, damit keine Fremdstoffe in den Kraftstofftank eingetragen werden.
- 3) Rohrgewindeverbindungen und Anschlüsse müssen mit geeignetem Dichtmittel oder Dichtband abgedichtet werden, um die Wahrscheinlichkeit von Leckage zu minimieren.
- 4) Lagertanks müssen sicher verankert sein, damit diese beim Füllen oder Entleeren nicht kippen oder sich absetzen.
- 5) Zur Minimierung des Aufbaus statischer Elektrizität darf beim Messen entzündlicher Flüssigkeiten nur ein Schlauch mit einem Statikableitungsdraht verwendet werden; das Zapfventil muss während des Füllens durchgehend Kontakt mit dem Behälter haben, in den abgefüllt wird.
- 6) **KEINESFALLS** 3,5 bar (50 psi) Leitungsdruck überschreiten.
- 7) **KEINESFALLS** ein zusätzliches Fußventil oder Rückschlagventil ohne ein Druckentlastungsventil einbauen, da der Zähler dadurch bersten könnte.



WARNUNG! Dieses Produkt darf nicht zum Transfer von Flüssigkeiten in beliebige Arten von Flugzeugen verwendet werden.



WARNUNG! Dieses Produkt ist nicht für Flüssigkeiten geeignet, die für menschlichen Verzehr geeignet sind bzw. Flüssigkeiten, die Wasser enthalten.

Montage

Zähler werden für horizontale Rohrleitungen mit Durchflussrichtung von links nach rechts geliefert. Die Durchflussanschlüsse können in eine von vier Positionen für horizontale oder vertikale Rohrleitungen und beide Durchflussrichtungen geändert werden.

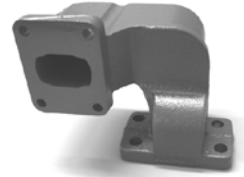
- 1) Die Durchflussrichtung der Flüssigkeit ermitteln.
- 2) Den Zähler **unter Beachtung des Richtungspfeils auf dem Zählergehäuse einbauen**.
- 3) Die vier Schrauben entfernen (Teil 28).
- 4) Die Zählerdeckel-Baugruppe (Teil 37) in die gewünschte Position drehen.
- 5) Die vier Schrauben wieder anbringen (Teil 28).



VORSICHT! Rohrgewindeverbindungen und Anschlüsse müssen mit geeignetem Dichtmittel oder Dichtband abgedichtet werden, um die Wahrscheinlichkeit von Leckage zu minimieren.



WICHTIG! Wenn dieser Zähler als Bestandteil eines „Satzes“ erworben wurde, ist der Zähler-Flanschsockel mit 4 Löchern vorgebohrt. Dadurch kann der Zähler mit Pumpen der Serie 300 und 700 verwendet werden. Die Zählerhalterung für den Einbau ausrichten und die Schrauben in die zwei Löcher einsetzen, die auf die zugehörigen Löcher im Pumpenauslass ausgerichtet sind. Nachdem die Zählerhalterung sicher verschraubt ist, die zwei Stopfen in den nicht verwendeten Löchern anbringen, damit keine Feuchtigkeit eindringen kann.



Kalibrierung

Die Fill-Rite Zähler der Serie 900 können für US-Gallonen oder Liter kalibriert werden. Die Kalibrierung ist nach dem Einbau, nach dem Zerlegen, nach beachtlichem Verschleiß oder beim Pumpen einer Flüssigkeit mit anderer Viskosität erforderlich. Je nach dem Modell werden Zähler der Serie 900 im Werk mit Mineralbeizen entweder in US-Gallonen oder in Liter kalibriert. Die Kalibrierung muss zwischen 23 und 151 l/min (6 und 40 gal/min) durchgeführt werden. Die Kalibrierung des Zählers kann einfach geändert werden, indem das Kalibrierungsverfahren befolgt wird. Für das Kalibrierungsverfahren wird ein Behälter mit **BEKANNTEM** Volumen benötigt. Für Zähler der Serie 900 ist ein Behälter mit mindestens 19 l (5 gal) Fassungsvermögen erforderlich.

Kalibrierungsverfahren

- 1) Zur genauesten Kalibrierung muss der Zähler in der Anwendung montiert werden. Einen Behälter mit einem bekannten Volumen der zu messenden Flüssigkeit füllen.
- 2) Wenn die Zählermenge falsch ist, die Kalibrierschraube (Teil 31) nach links drehen, um die Flüssigkeitsmenge zu verringern, bzw. nach rechts drehen, um die Flüssigkeitsmenge zu erhöhen.
- 3) Schritte 1 und 2 solange wiederholen, bis die Kalibrierung zufriedenstellend ist.

Betriebsanweisungen

Zur genauen Messung und Vermeidung von Zählerschäden müssen Zähler und Rohrleitungen immer mit Flüssigkeit gefüllt und frei von Luft sein. Der Zähler muss vor dem Gebrauch gemäß den Anweisungen in diesem Handbuch kalibriert werden.

- 1) Den Flüssigkeitsstrom stoppen.
- 2) Den Register nullen.
- 3) Der Zähler ist bereit zum Einsatz. Den Flüssigkeitsstrom starten. Keinesfalls 50 psi/3,5 bar Leitungsdruck überschreiten.

Wartung

Der Fill-Rite Zähler der Serie 900 sollte nahezu wartungsfrei funktionieren. Bestimmte Flüssigkeiten können jedoch im Zählergehäuse eintrocknen und dazu führen, dass der Zähler nur mehr mangelhaft oder überhaupt nicht mehr funktioniert. In diesem Fall muss der Zähler gründlich gereinigt werden.

Reinigungsanweisungen

Eine Spülflüssigkeit durch den Zähler laufen lassen. Für eine gründlichere Reinigung den Zähler gemäß „ZUSAMMENBAU UND ZERLEGEN,“ Unterabschnitt „Messkammer-Baugruppe“ zerlegen. Alle Zählerkomponenten gründlich spülen. Den Zähler gemäß den Kalibrierungsanweisungen oben kalibrieren.



WICHTIG! Bei der Rückgabe eines Zählers zur Wartung muss dieser drei Mal gespült worden sein; außerdem muss eine Notiz beigefügt werden, die angibt, welche Chemikalien durch diesen Zähler gepumpt wurden. Die Annahme von Zählern, die diesen Anforderungen nicht entsprechen, kann abgelehnt werden.

Lagerung

Falls der Zähler länger gelagert werden soll, muss er gründlich gereinigt werden. Das schützt den Zähler vor möglichen Schäden.

Störungsbeseitigung

Die folgende Anleitung zur Störungsbeseitigung beschreibt die grundlegende Diagnose und Reparatur des Zählers, falls der Zähler der Serie 900 ungewöhnliche Funktionseigenschaften aufweist. Wir empfehlen, nur Original-Fill-Rite-Ersatzteile zu verwenden. Diese Teile und zusätzliche Wartungsinformationen sind bei Ihrem Fill-Rite-Vertragshändler erhältlich.

Weitere Informationen zur Störungsbeseitigung sind im Pumpenhandbuch zu finden. Wenn Sie zusätzliche Hilfe benötigen, kontaktieren Sie uns bitte unter der Rufnummer 1-800-634-2695 (Mo-Fr 8.00-17.00 Uhr EST).

Problem	Mögliche Ursache	Empfohlene Reparatur
Zähler ist ungenau.	Zähler ist falsch kalibriert.	Die Kalibrierung prüfen und nach Bedarf neu kalibrieren (Anleitung auf Seite 4).
	Luft in den Leitungen oder der Messkammer.	Die Leitungsdichtungen und Verbindungen auf Leckage prüfen; Undichtheiten ordnungsgemäß beheben.
	Die Messzahnäder oder -scheiben verkleben.	Die internen Messkomponenten nach Bedarf reinigen oder austauschen.
Flüssigkeitsleck an der Wellendichtung.	Verunreinigte oder beschädigte Dichtung.	Die O-Ring-Dichtung und den Dichtungssitz reinigen, die Dichtung nach Bedarf austauschen.
Mangelhafte Durchflusskapazität.	Verstopfte Messkammer.	Messkammer reinigen; Siebe und Filter in Rohrleitungen reinigen oder austauschen.
Messgehäuse hat Risse.	Zu hoher Leitungsdruck.	Entlastungsventil einbauen, damit zu hoher Druck zurück in den Tank abgebaut werden kann. Gesprungenes Zählergehäuse austauschen.
Taumelscheibe ist defekt.	Flüssigkeit trifft mit hohem Druck plötzlich auf Scheibe auf.	Strömungsschwälle vermeiden, indem ein Absperrhahn an der Auslassseite des Zählers eingebaut wird; den Zähler so nahe wie möglich an der Pumpe installieren, damit die Rohrleitung mit Flüssigkeit gefüllt bleibt. Gebrochene Scheibe austauschen.

Flüssigkeitsverträglichkeit

Der Zähler der 900 Serie IST mit folgenden Flüssigkeiten verträglich:

Dieseldieselkraftstoff Benzin Kerosin Mineralbeizen Heptan Hexan

Der Zähler der 900 Serie IST NICHT mit folgenden Flüssigkeiten verträglich:

Bleiche Salzsäure Tinte Schwefelsäure Salzwasser



VORSICHT! Wenn die Verträglichkeit einer bestimmten Flüssigkeit nicht gesichert ist, den Flüssigkeitslieferanten kontaktieren und nach nachteiligen Reaktionen mit folgenden benetzten Werkstoffen fragen:

Ryton[®] Aluminium Edelstahl Fluorkohlenstoff Buna N
Polyester Teflon[®] Nickel

Zusammenbau und Zerlegen

Der Zähler der Serie 900 besteht aus einem Kammergehäuse, einer Messkammer, Antriebswelle, Zähler-Baugruppe und einem Deckel. Das Design des Zählers ist so ausgeführt, dass er komplett zerlegt werden kann ohne dass die Rohrleitungen gestört werden (Teilenummern sind im Diagramm auf Seite 7 zu finden).

Zähler-Baugruppe

Zugriff auf die Zähler-Baugruppe:

- 1) Den Rücksetzknopf (Teil 15) an den Kanten anfassen und fest vom Zähler weg ziehen, um ihn zu entfernen.
- 2) Die zwei Schrauben (Teil 14) oben und unten auf der vorderen Einfassung entfernen.
- 3) Die Einfassung (Teil 11) abheben.
- 4) Die zwei Schrauben (Teil 12) entfernen, um die Zähler-Stirnflächenplatte (Teil 13) abzunehmen.
- 5) Die zwei Schrauben (Teil 9) entfernen, um den Zählermechanismus herauszunehmen.
- 6) In verkehrter Reihenfolge wieder zusammenbauen.

Messkammer-Baugruppe

Die Messkammer besteht aus der oberen und unteren Kammer, einer Taumelscheibe und vier Schrauben.

- 1) Zum Freilegen der Messkammer-Baugruppe und Dichtung die 4 Schrauben (Teil 28) entfernen.
- 2) Die Messkammer kann herausgenommen werden, indem die 4 Schrauben (Teil 5) entfernt werden.

In verkehrter Reihenfolge wieder zusammenbauen.



WICHTIG! Falls Komponenten der Messkammer ausgetauscht werden, muss die gesamte Baugruppe ersetzt werden, da sie eine Präzisionsbaugruppe ist. Das gewährleistet die entsprechende Passung und die korrekte Funktionsweise der Kammer.

Zahnrad-Baugruppe und Dichtung

Zerlegen der Zahnrad-Baugruppe und Dichtung:

- 1) Die zwei Schrauben (Teil 8) und das Zahnradgehäuse (Teil 6) entfernen.
- 2) Die Zahnräder als Baugruppe (Teil 18), Unterlegscheibe (Teil 19) und Welle (Teil 17) ausbauen.
- 3) Das Antriebsritzel (Teil 24) und die Unterlegscheiben (Teil 23) ausbauen, indem das Antriebsritzel gedreht und herausgezogen wird.
- 4) Die O-Ring-Dichtung (Teil 25) entfernen.



WICHTIG! Beim Zusammenbau der Dichtung den O-Ring mit Öl oder Vaseline schmieren und in den Deckel einsetzen. Die Unterlegscheibe auf die Zahnradwelle legen. Die Welle drehen und behutsam durch den O-Ring und den Deckel schieben, um den O-Ring nicht zu beschädigen. Die Welle muss nun in den Ritzelkegel (Teil 27) eingeführt werden, falls der Zähler nicht ausgebaut wurde. Die restlichen Teile in umgekehrter Reihenfolge wie beim Zerlegen einbauen, um den Zusammenbau abzuschließen.

Reparatur

Falls Zähler repariert werden müssen, sind sie zu einer Vertragswerkstatt zu bringen. Zähler **MÜSSEN** drei Mal gespült werden, bevor sie zur Reparatur gebracht werden.

Sicherheitsprüfungszulassungen

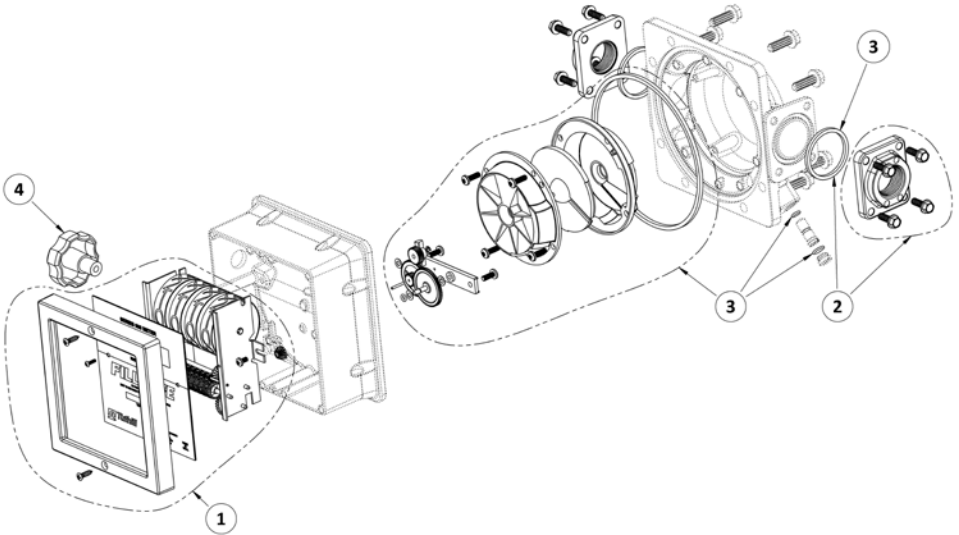
Die **Fill-Rite**-Zähler wurden auf Konformität mit den Normen geprüft, die von Underwriters Laboratories vorgeschrieben werden.



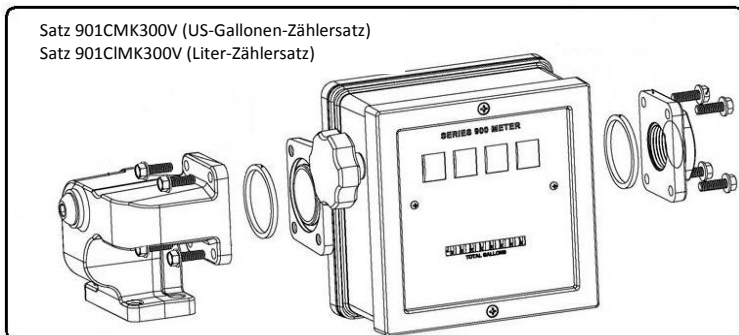
Ersatzteil-Informationen

Ersatzteile können bei einem Fill-Rite-Vertragshändler erhalten werden. Sicherstellen, dass bei der Wartung und Instandsetzung nur Original-Fill-Rite-Ersatzteile verwendet werden. Eine Liste von Vertragshändlern ist auf unserer Website www.fillrite.com zu finden.

Modelle 901, 901N, 9011.5 901MK300, 901MK300V, 901LMK300V und 901MK4200



Sätze und Zubehör sind auf Seite 8 angegeben



Ersatzteil-Informationen (Forts.)

Satz-Nr.	Satz	Beschreibung	Inhalt
1	KIT900GR (US-Gallonen) KIT900LR (Liter)	Zähler der Serie 900, Register-Satz	Stirnseitenplatte, Register, Befestigungsteile
2	KIT900PF1N	1 Zoll Zählerflanschsatz (NPT)	1 Zoll NPT Zählerflansche, O-Ringe, Befestigungsteile
2	KIT900PF1.5N	1,5 Zoll Zählerflanschsatz (NPT)	1,5 Zoll NPT Zählerflansche, O-Ringe, Befestigungsteile
2	KIT900PF1B	1 Zoll Zählerflanschsatz (BSPT)	1 Zoll BSPT Zählerflansche, O-Ringe, Befestigungsteile
2	KIT900PF1.5B	1,5 Zoll Zählerflanschsatz (BSPT)	1,5 Zoll BSPT Zählerflansche, O-Ringe, Befestigungsteile
3	900KT	Mess- und Dichtungssatz	Messkammer, Antriebszahnäder, zugehörige Dichtungen
4	800G8870	Rücksetzknopf	Rücksetzknopf
	901MK300V	Zähler der 900 Serie (US-Gallonen) mit Einlassflansch für Pumpen FR300 und FR700	Zähler der Serie 900 (US-Gallonen) Einlassflansch (4 Löcher) Erforderliche O-Ringe Erforderliche Befestigungsteile
	901LMK300V	Zähler der 900 Serie (Liter) mit Einlassflansch für Pumpen FR300 und FR700	Zähler der Serie 900 (Liter) Einlassflansch (4 Löcher) Erforderliche O-Ringe Erforderliche Befestigungsteile

Tuthill Produktgarantie

Tuthill Transfer Systems (der „Hersteller“) garantiert jedem Käufer von Fill-Rite-Produkten (dem „Käufer“) ab dem Datum des Rechnungsbelegs oder der Verkaufsbestätigung, dass die hergestellten Waren („Waren“) frei von Werkstoffmängeln und Fertigungsfehlern sein werden. Garantiedauer:

- Heavy Duty Produkte – zwei Jahre
- Standard-Produktausführungen – ein Jahr
- Economy-Produktausführungen – ein Jahr
- Schrankzähler, Teile und Zubehör – ein Jahr

Die einzige Verpflichtung des Herstellers unter dieser Garantie ist nach Wahl des Herstellers beschränkt auf den Ersatz oder die Reparatur der defekten Waren (unterliegt später angeführten Einschränkungen) oder die Rückerstattung des Kaufpreises für solche Waren, der vom Käufer bezahlt wurde; und das ausschließliche Rechtsmittel des Kunden bei Verstoß gegen solche Garantien ist die Durchsetzung dieser Verpflichtung gegenüber dem Hersteller. Falls der Hersteller die Rücksendung der Waren anfordert, sind die Waren den Anweisungen des Herstellers entsprechend freigegeben an das Werk zu senden. Die hier enthaltenen Abhilfen sind das einzige Rechtsmittel des Käufers gegenüber dem Hersteller bei einem Verstoß gegen die Garantiebestimmungen. **IN KEINEM FALL HAFTET DER HERSTELLER FÜR ANSPRÜCHE BEI SCHÄDEN AUFGRUND DER FERTIGUNG, DES VERKAUFS, DER LIEFERUNG ODER DER NUTZUNG DER WAREN, DIE HÖHER ALS DER VERKAUFSPREIS SIND.** Die vorstehende Garantie erstreckt sich nicht auf Waren, die misshandelt oder vernachlässigt wurden, Unfällen ausgesetzt waren, falsch installiert oder gewartet wurden oder die von jemandem anderen als dem Hersteller oder seiner autorisierten Vertretung repariert wurden. **DIE VORSTEHENDE GARANTIE IST AUSSCHLIESSLICH UND GILT ANSTELLE ALLER ANDEREN GARANTIEEN DER HANDELSÜBLICHEN QUALITÄT, EIGNUNG FÜR EINEN BESTIMMTEN ZWECK ODER BELIEBIGE ANDERE ART VON GARANTIE – AUSDRÜCKLICH ODER STILLSCHWEIGEND.** Die vorstehende Garantie und Abhilfen dürfen von niemandem geändert werden, außer schriftlich unterzeichnet von einem befugten Vorstandsmitglied des Herstellers. Die Entgegennahme der zugestellten Waren durch den Käufer stellt die Annahme der vorstehenden Garantien und Abhilfen sowie allen Bedingungen und Einschränkungen dieser Garantie dar.

Tuthill Corporation empfiehlt, dass Sie die Quittung als Verkaufsbeleg aufheben.