

Product data sheet

MT010 - EXHAUST GAS THERMOMETERS

Features:

- Silicone oil filled exhaust gas thermometer
- Environmentally friendly
- Stainless steel sliding union available on request to customer choice of connection
- Wide choice of temperature ranges and stem lengths
- **Brannan** quality and accuracy
- Silicone oil protects against vibration using to ensure the maximum life under the most severe conditions
- Stainless steel pockets can be supplied as extra to customer specifications (please enquire for details)

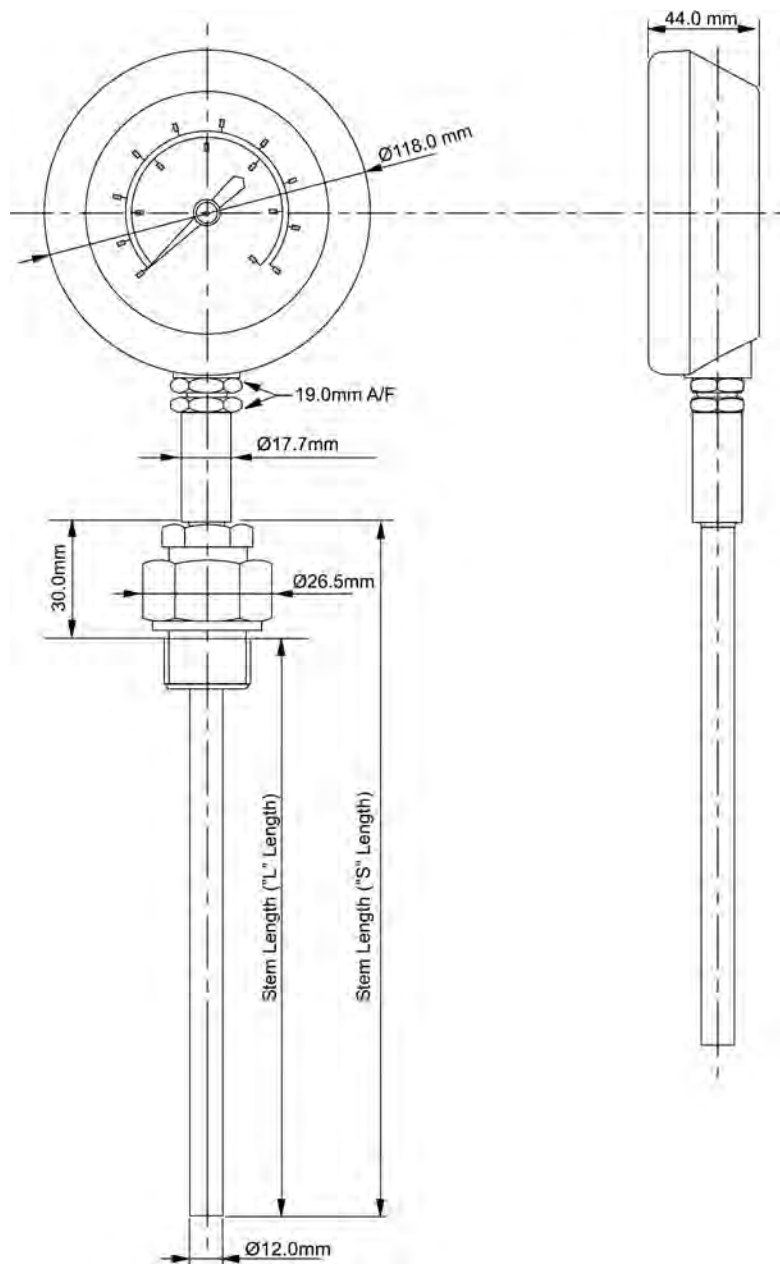


Standard product specifications:

Dial diameter	100mm
Accuracy	+/- 1.5% of full scale
Range	+50 to +650°C&F (0 to +120°C&F, 0 to +160°C&F, 0 to +200°C&F and 0 to +250°C&F available on request)
Case	Black painted die-cast aluminium case and bezel
Connection	Bottom connection (back connection available on request)
Stem	Plain stem
Sliding union (extra)	1/2", 3/4" or 3/8" BSP sliding union in 304 (or 316) stainless steel supplied on request
Stem length	100mm through to 600mm below union
Stem diameter	12mm (10mm, 13mm or 16mm available on request)
Measuring system	N ₂
Window	Glass
Pointer	Black plastic
Filling	Silicone (dry available on request)
Max working temp	Full scale value at continuous operation
Protection	IP 65
Calibration	UKAS certification, certificate traceable to Recognised National Standard or Statement of Conformity, if required

Product data sheet

Dimensions:



Product data sheet

Standard product numbers:

The following are our standard product numbers. Special products can be supplied on request, for example, customer own branding, alternative connection, range, etc. Minimum order quantities apply. Please contact our Sales Team for further information.

Stem length (L)	Product number	Net weight	Box weight	Bubble weight	Gross weight	Gross (box) dimensions
100mm	93/400/0	851.0g	81.5g	2.0g	934.5g	307 x 113 x 68mm
150mm	93/400/1	882.0g	82.0g	2.0g	966.0g	405 x 115 x 69mm
200mm	93/400/2	897.0g	82.0g	2.0g	979.0g	405 x 115 x 69mm
250mm	93/400/3	894.5g	122.0g	2.0g	1018.0g	510 x 145 x 63mm
300mm	93/400/4	927.5g	122.0g	2.0g	1063.0g	510 x 145 x 63mm
350mm	93/400/5	Information on request				
400mm	93/400/6					
450mm	93/400/7					
500mm	93/400/8					
600mm	93/400/9					

Calibration product numbers:

Calibration	No of points	Product number
UKAS	3pt	49/070/0
Traceable to National Standards	1pt	49/099/0
	3pt	49/101/0
	4pt	49/104/0
	5pt	49/105/0

Sliding connections to suit 12mm stems:



Material	Bore	Thread	Net weight	Product number
Plated Mild Steel	12mm	1/2"	93g	39/437/0
		3/4"	122.5g	39/438/0