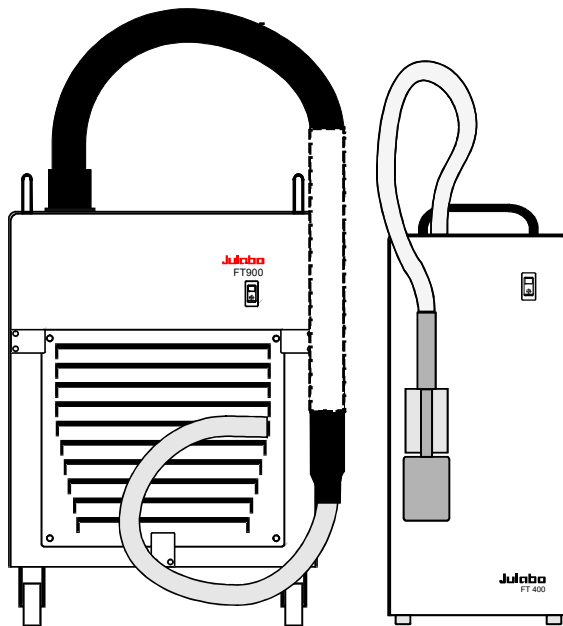


*English*

# Operating manual

Immersion Coolers  
FT200 FT400 FT900

Flow-Through Cooler  
FD200



**Julabo**  
THE TEMPERATURE CONTROL COMPANY

---

## Congratulations!

You have made an excellent choice.

JULABO thanks you for the trust you have placed in us.

This operating manual has been designed to help you gain an understanding of the operation and possible applications of our immersion coolers. For optimal utilization of all functions, we recommend that you thoroughly study this manual prior to beginning operation.

## The JULABO Quality Management System



Temperature control devices for research and industry are developed, produced, and distributed according to the requirements of ISO 9001 and ISO 14001. Certificate Registration No. 01 100044846

## Unpacking and inspecting

Unpack the immersion cooler and accessories and inspect them for possible transport damage. Damage should be reported to the responsible carrier, railway, or postal authority, and a damage report should be requested. These instructions must be followed fully for us to guarantee our full support of your claim for protecting against loss from concealed damage. The form required for filing such a claim will be provided by the carrier.

1.953.4616-V4 05/16 Printed in Germany Changes without prior notification reserved

**Important:** keep original operating manual for future use

---

## **TABLE OF CONTENTS**

OPERATING MANUAL .....	4
1. INTENDED USE .....	4
1.1. Description .....	4
2. OPERATOR RESPONSIBILITY – SAFETY INSTRUCTIONS .....	4
2.1. Disposal .....	6
2.2. Technical specifications .....	7
OPERATING INSTRUCTIONS.....	9
3. OPERATING CONTROLS AND FUNCTIONAL ELEMENTS .....	9
4. SAFETY NOTES FOR THE USER.....	11
4.1. Explanation of safety notes .....	11
4.2. Explanation of other notes .....	11
4.3. Safety instructions .....	11
5. PREPARATIONS .....	13
5.1. Installation.....	13
5.2. Immersion Probe .....	13
5.3. Tube connection FD200 .....	14
6. OPERATING PROCEDURES .....	14
6.1. Power connection .....	14
6.2. Switching On.....	14
7. TROUBLESHOOTING .....	15
8. CLEANING / REPAIRING THE UNIT .....	15
9. WARRANTY PROVISIONS.....	17

## Operating manual

### 1. Intended use

JULABO immersion coolers have been designed for temperature application to specific fluids in a bath tank.

For example: Dewar vessels, beakers, or other containers in conjunction with heating circulators for continuous countercooling or for dry-ice substitution.



JULABO immersion coolers are not suitable for direct temperature control of foods, semi-luxury foods and tobacco, or pharmaceutical and medical products. Direct temperature control means unprotected contact of the object with the bath medium (bath fluid).

#### 1.1. Description

The JULABO immersion coolers FT200, FT 400 and FT900 are employed to cool liquids for working temperatures ranging from +50 °C to -90 °C, such as in:

Dewar vessels, beakers, or other containers  
in conjunction with heating circulators for continuous countercooling  
or for dry-ice substitution.

The JULABO FD200 Flow-Through Cooler is employed to cool liquids in closed circuits. This unit is generally installed at the intake of a heating circulator to draw heat away from the circulating bath liquid.

Models FD200, FT200 and FT400 are provided with a handle for portable use.

Model FT900 is equipped with four castors. Two of the castors include locking levers that should be pressed down after setting up the unit to prevent it from moving.

The immersion probe is connected to the instrument with a flexible, specially insulated tube.

On model FT900 the immersion probe is also flexible and may be adjusted precisely to different positions within the vessel.

## 2. Operator responsibility – Safety instructions

The products of JULABO ensure safe operation when installed, operated, and maintained according to common safety regulations. This section explains the potential dangers that may arise when operating the circulator and also specifies the most important safety precautions to preclude these dangers as far as possible.

The operator is responsible for the qualification of the personnel operating the units.

- The personnel operating the units should be regularly instructed about the dangers involved with their job activities as well as measures to avert these dangers.
- Make sure all persons tasked with operating, installing, and maintaining the unit have read and understand the safety information and operating instructions.

- 
- When using hazardous materials or materials that could become hazardous, the circulator may be operated only by persons who are absolutely familiar with these materials and the circulator. These persons must be fully aware of possible risks.

If you have any questions concerning the operation of your unit or the information in this manual, please contact us!

**Contact** JULABO USA, Inc.

### **Safety instructions for the operator:**

- Avoid strikes to the housing, vibrations, damage to the operating-element panel (keypad, display), and contamination.
- Make sure the product is checked for proper condition regularly (depending on the conditions of use). Regularly check (at least every 2 years) the proper condition of the mandatory, warning, prohibition and safety labels.
- Make sure that the mains power supply has low impedance to avoid any negative effects on the instruments being operated on the same mains.
- This unit is designed for operation in a controlled electromagnetic environment. This means that transmitting devices (e.g., cellular phones) should not be used in the immediate vicinity.
- Magnetic radiation may affect other devices with components sensitive to magnetic fields (e.g., monitors). We recommend maintaining a minimum distance of 1 m.
- Permissible ambient temperature: max. 40 °C, min. 5 °C.
- Permissible relative humidity: 50% (40 °C).
- Do not store the unit in an aggressive atmosphere. Protect the unit from contamination.
- Do not expose the unit to sunlight.

### **Appropriate operation**

Only qualified personnel is authorized to configure, install, maintain, or repair the circulator. Persons who operate the circulator must be trained in the particular tasks by qualified personnel. The summarized user guidance (short manual) and the specification table with information on individual parameters are sufficient for this.

### **Use**

The bath can be filled with flammable materials. Fire hazard!  
There might be chemical dangers depending on the bath medium used.  
Observe all warnings for the used materials (bath fluids) and the respective instructions (safety data sheets).  
Insufficient ventilation may result in the formation of explosive mixtures. Only use the unit in well ventilated areas.




## Operator responsibility – Safety instructions

Only use recommended materials (bath fluids). Only use non-acid and non corroding materials.

When using hazardous materials or materials that could become hazardous, **the operator must** affix the enclosed safety labels to the front of the unit so they are highly visible:

If this unit is intended for use within the United States of America, all 3 warning labels **must** be affixed to the housing of the unit prior to use. Directions for the positioning of the individual warning labels are enclosed with the warning labels included in the delivery.

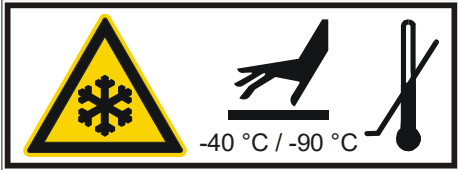
Warning labels must be easily visible to users.

1		Warning label W00: Colors: yellow, black Danger area. Attention! Observe instructions. (operating manual, safety data sheet)
2		Mandatory label M018: Colors: blue, white Carefully read the user information prior to beginning operation. <b>Scope: EU</b>
or		
2		Semi S1-0701 Table A1-2 #9 Carefully read the user information prior to beginning operation. <b>Scope: USA, NAFTA</b>
3	<div style="border: 1px solid black; padding: 5px; width: fit-content;"><b>WARNING:</b> This product contains chemicals known to the state of California to cause cancer, birth defects or other reproductive harm.</div>	Warning label Proposition 65

Particular care and attention is necessary because of the wide operating range.

There are thermal dangers: Touchable parts of the probe can be very cold.

The user must attach the enclosed safety labels to the unit so they are well visible.

	Safety label including warning label W017: Colors: yellow, black Attention: Do not touch cold probe.
---	---

### 2.1. Disposal

The product may be used with oil as bath fluid. These oils fully or partially consist of mineral oil or synthetic oil. For disposal, follow the instructions in the material safety data sheets.

This unit contains the refrigerants R134a R404A, and R-23, which at this time are not considered harmful to the ozone layer. However, over the long operating period of the unit, disposal rules may change. Therefore, only qualified personnel should handle the disposal.

## 2.2. Technical specifications

		FT200	FD200
Temperature range	°C	-20 ... +30	10 ... 30
Cooling capacity (medium ethanol)	$\frac{^{\circ}\text{C}}{\text{kW}}$	$\frac{+20 \quad 0 \quad -30}{0.25 \quad 0.15 \quad 0.04}$	$\frac{+20 \quad +10}{0.22 \quad 0.18}$
Refrigerant		R134a	R134a
Recommended flow rate	l/min	-----	2 - 3
Freezing protection	°C	-----	10
Immersion probe (Lx dia.)	cm	9x4	-----
Connection tubing (L)	cm	120	-----
Dimensions (WxLxH)	cm	18x27x39	18x27x39
Weight	kg	18	16
Ambient temperature	°C	5 ... 35	5 ... 35
Mains power connection	V/Hz	190-253 / 50	230/50
Current draw (at 230 V)	A	2.0	2.0
Mains power connection	V/Hz	103-127 / 60	115 / 60
Current draw (at 115 V)	A	3.0	3.0

		FT400	FT900
Temperature range	°C	-40 ... +30	-90 ... +30
Cooling capacity (medium ethanol)	$\frac{^{\circ}\text{C}}{\text{kW}}$	$\frac{+20 \quad +10 \quad -20 \quad -40}{0.45 \quad 0.36 \quad 0.14 \quad 0.03}$	$\frac{+20 \quad +10 \quad -40 \quad -80}{0.3 \quad 0.27 \quad 0.2 \quad 0.07}$
Cooling compressor		1-stage	2-stage
Refrigerant		R404A	R404A/R23
Immersion probe (Lx dia.)	cm	12x5	65x1.5 (flexible)
Connection tubing (L)	cm	120	160
Dimensions (WxLxH)	cm	20x30x43	38x55x60
Weight	kg	24	50
Ambient temperature	°C	5 ... 35	5 ... 35
Mains power connection	V/Hz	230 / 50	230 / 50/60
Current draw (at 230 V)	A	3.0	6.0
Mains power connection	V/Hz	115 / 60	115 / 60
Current draw (at 115 V)	A	4.0	7.0

**Note:**

All measurements have been carried out at:  
rated voltage and frequency; ambient temperature 20 °C.

**Environmental conditions according to IEC 61 010-1:**

Use indoors only.

Altitude up to 2000 m - normal zero.

Ambient temperature: see Technical specifications

Humidity:

Max. relative humidity 80% for temperatures up to +31 °C,

linear decrease down to 50% relative humidity at a temperature of +40 °C

Max. mains voltage fluctuations of  $\pm 10\%$  are permissible.

Protection class according to IEC 60 529      IP21

The unit corresponds to Class I

Overvoltage category      II

Pollution degree      2



**Caution:**

The unit is not for use in explosive environment.

EMC requirements according to EN 61326-1

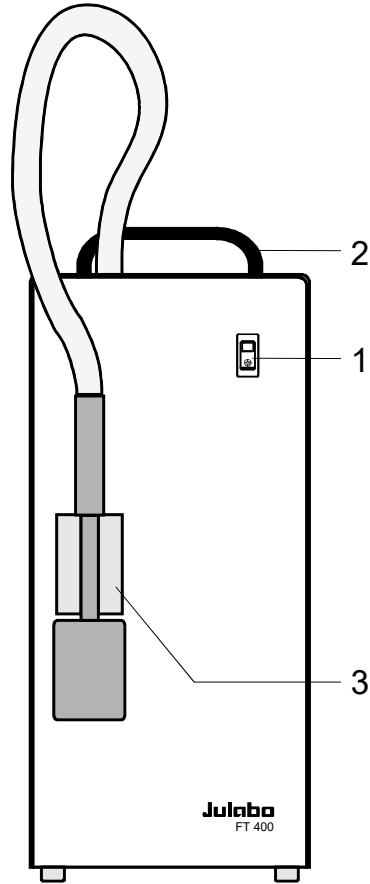
This unit is an ISM device classified in Group 1 (using high frequency for internal purposes), Class A (industrial and commercial range).



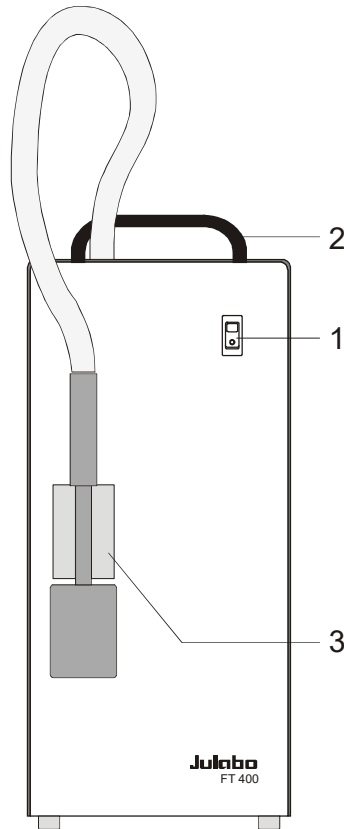
# Operating instructions

## 3. OPERATING CONTROLS AND FUNCTIONAL ELEMENTS

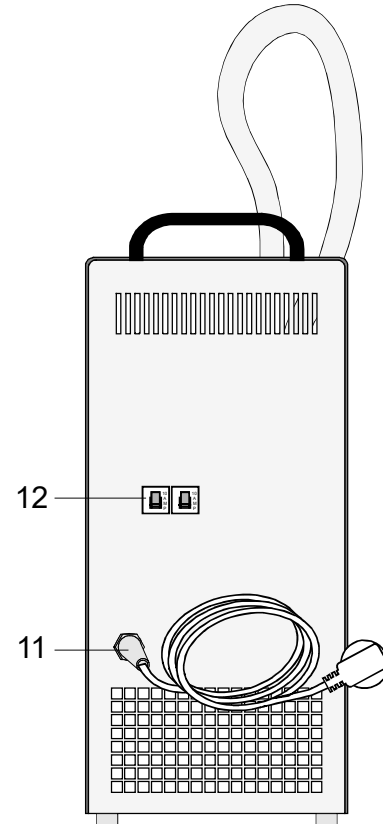
FT400



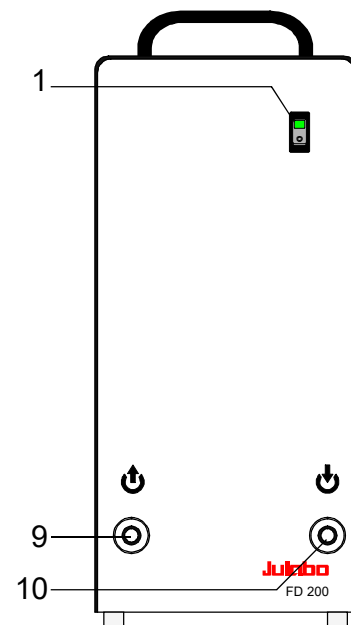
FT200



Rear view



FD200

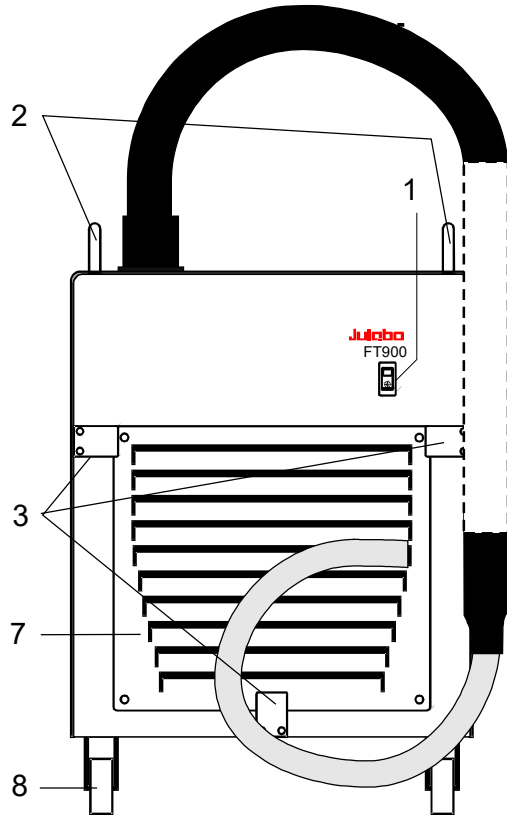


- 1 Mains switch, illuminated
- 2 Cooling control light
- 3 Clamp for immersion probe
- 7 Removable ventilation grid
- 8 Castor with locking lever
- 9 Tube connection - discharge
- 10 Tube connection - intake
- 11 Mains power cable with plug
- 12 Safety cutouts: Mains fuses 10 A

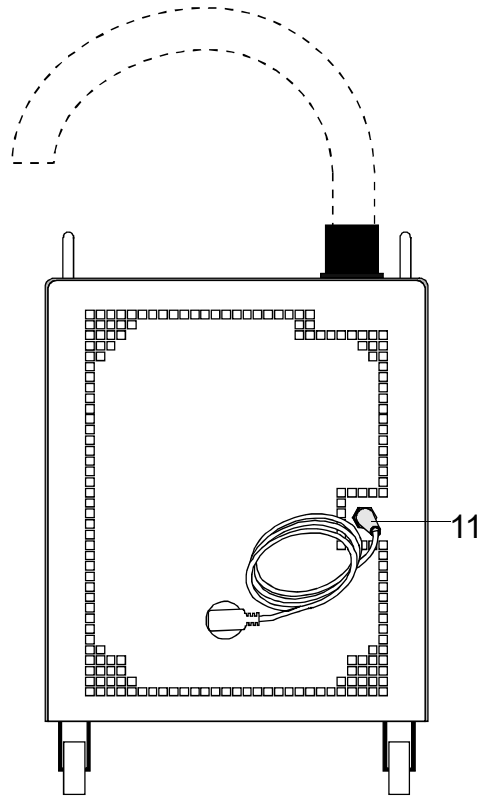


OPERATING CONTROLS AND FUNCTIONAL ELEMENTS

FT900



Rear view



---

## 4. Safety notes for the user

### 4.1. Explanation of safety notes



In addition to the safety warnings listed above, warnings are posted throughout the manual. These warnings are designated by an exclamation mark inside an equilateral triangle. "Warning of a dangerous situation (Attention! Please follow the documentation)."  
The danger is classified using a signal word.  
Read and follow these important instructions.

**Warning:**

Describes a possibly highly dangerous situation. If these instructions are not followed, serious injury and danger to life could result.

**Caution:**

Describes a possibly dangerous situation. If this is not avoided, slight or minor injuries could result. A warning of possible property damage may also be contained in the text.

**Notice:**

Describes a possibly harmful situation. If this is not avoided, the product or anything in its surroundings can be damaged.

### 4.2. Explanation of other notes

**Note!**

Draws attention to something special.

**Important!**

Indicates usage tips and other useful information.

### 4.3. Safety instructions

Follow the safety instructions to avoid personal injury and property damage. Also, the valid safety instructions for workplaces must be followed.



- Only connect the unit to a power socket with an earthing contact (PE – protective earth)!
- The power supply plug serves as a safe disconnecting device from the line and must always be easily accessible.
- Place the unit on an even surface on a base made of nonflammable material.
- Do not stay in the area below the unit.
- Make sure you read and understand all instructions and safety precautions listed in this manual before installing or operating your unit.
- Do not touch the immersion probe if it is frosted.
- Do not bend the tube connection of the immersion probe

## Safety notes for the user

- Keep the air intake and exhaust grids free of obstructions. (Maintain a sufficient distance from all surrounding surfaces!)
- Do not move the unit from the position where it was set up during operation.
- Always turn off the unit and disconnect the mains cable from the power source before performing any service or maintenance procedures, or before moving the unit.
- Always turn off the unit and disconnect the mains cable from the power source before cleaning the unit.
- Transport the unit with care.
- Sudden jolts or drops may cause damage in the interior of the unit.
- Observe all warning labels.
- Never remove warning labels.
- Never operate units with damaged mains power cables.
- Repairs are to be carried out only by qualified service personnel.



- There are thermal dangers: Touchable parts of the probe can be very cold. Therefore, exercise particular caution when touching these parts. Use gloves.

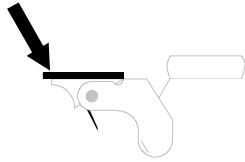


### **WARNING**

This product contains chemicals known to the state of California to cause cancer, birth defects or other reproductive harm.

## 5. Preparations

### 5.1. Installation



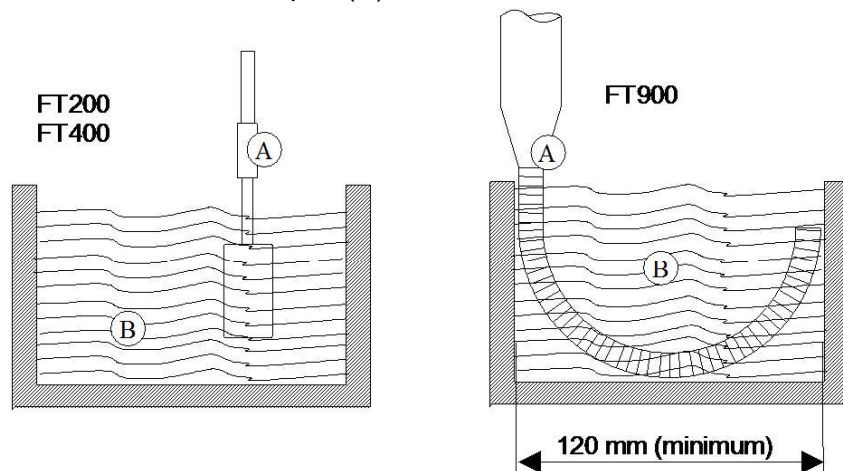
- Place the unit on an even surface on a pad made of non-flammable material.
- Press down the castor levers on model FT900.
- The instrument should be set up at a frost-proof and dry location.
- The place of installation should be large enough and provide sufficient air ventilation to ensure the room does not warm up excessively because of the heat the instrument rejects to the environment. (Max. permissible ambient temperature: 35 °C). For a fault (leakage) in the refrigeration system, the standard EN 378 prescribes a certain room space to be available for each kg of refrigerant.
  - > For 0.25 kg of refrigerant R134a, 1 m<sup>3</sup> of space is required.
  - > For 0.52 kg of refrigerant R404A, 1 m<sup>3</sup> of space is required.
  - > For 0.68 kg of refrigerant R23, 1 m<sup>3</sup> of space is required.
- The ambient temperature must not exceed 35 °C.
- Keep at least 20 cm of open space on the front and rear venting grids.
- Do not set up the unit in the immediate vicinity of heat sources and do not expose to sun light.
- Before operating the unit after transport, **wait about one hour after setting it up**. This will allow any oil that has accumulated laterally during transport to flow back down thus ensuring maximum cooling performance of the compressor.

### 5.2. Immersion Probe



Avoid touching the immersion probe if it is frosted.  
**DANGER OF INJURY.** Use gloves.  
Switch the unit on only if the probe is immersed into the bath fluid.

To prevent the immersion probe (A) from icing, it should be completely immersed into the bath liquid (B).



Accessory: Clamp for cooler probe FT200/400 - order no. 8 970 400

### 5.3. Tube connection FD200



- Connect the tubes and secure with tube clamps.  
discharge (9)  
intake (10)

Recommended flow rate: 2 to 3 l/min

## 6. OPERATING PROCEDURES

### 6.1. Power connection



#### Caution:

- Only connect the unit to a power socket with earthing contact (PE – protective earth)!
- The power supply plug serves as safe disconnecting device from the line and must be always easily accessible.
- Never operate equipment with damaged mains power cables.
- Regularly check the mains power cables for material defects (e.g. for cracks).
- We disclaim all liability for damage caused by incorrect line voltages!

Make sure that the line voltage and frequency match the supply voltage specified on the type plate.  
Deviations of  $\pm 10\%$  are permissible.

### 6.2. Switching On



- The immersion cooler is turned on and off with the mains switch. (1).  
The control light in the switch will illuminate.



The immersion probe – as part of the cooling circuit – should not be exposed to bath temperatures above the working temperature of the immersion cooler. This would cause damage to the compressor.  
Do not immerse a frosted immersion probe into hot bath oil.  
**DANGER OF INJURY!**

## 7. TROUBLESHOOTING

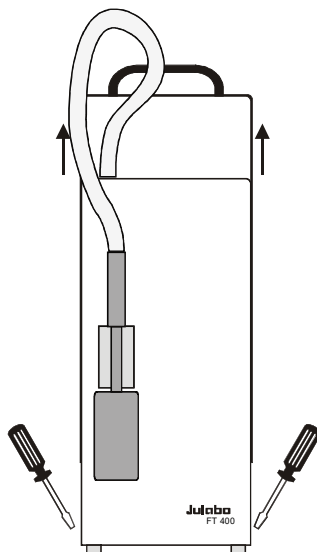
- **Malfunction of compressor:**  
The cooling compressor is equipped with an overload protection device that will be triggered by overheating or excessive current consumption. Possible causes include insufficient ventilation or contamination of the condenser. After a cool-down phase, the motor is automatically switched on again.
- **Interruption of the cooling loop (FD200)** by a bended tube.

## 8. Cleaning / repairing the unit



### **Caution:**

Before cleaning the unit, disconnect the power plug from the mains socket! Always turn off the unit and disconnect the mains cable from the power source before performing any service or maintenance procedures. Service and repair work may be performed only by authorized electricians. Prevent humidity from entering into the immersion cooler.



JULABO coolers are designed for continuous operation under normal conditions.

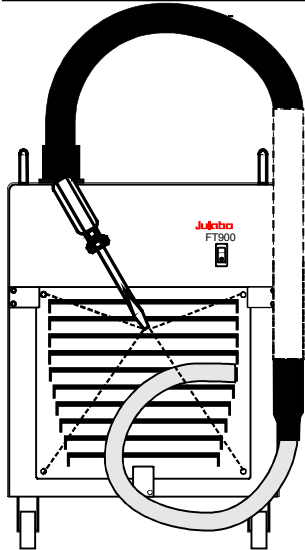
Periodic maintenance is not required.

Regularly check the condensor for dirt contamination. Clean the ribbed condensor, because dust and dirt will reduce cooling performance of the unit.

Cleaning the Cooling Compressor:

- Switch off the unit, disconnect mains power cable.

Remove the hood (FD200, FT200, FT400).

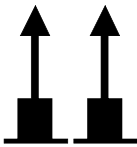


- The ventilation grid (7) is detached by unscrewing the four mounting screws (FT900).
- Clean the ribbed condenser with a vacuum cleaner.
- Replace the hood or the ventilation grid.
- Switch on the unit.

Clean the outside of the unit using a wet cloth and low surface tension water.

### Repairs

Before asking for a service technician or returning a JULABO instrument for repair, please contact an authorized JULABO service station.



When returning the unit:

- Clean the unit in order to avoid any harm to the service personnel.
- Attach a short fault description.
- During transport the unit has to stand upright. Mark the packing correspondingly.
- When returning a unit, take care of careful and adequate packing.
- JULABO is not responsible for damages that might occur from insufficient packing.



---

## 9. WARRANTY PROVISIONS

The following Warranty Provisions shall apply to products sold in North America by Julabo (“**Seller**”) to the entity shown as buyer (“**Buyer**”) on Seller’s invoice.

1. **Initial Warranty.** Upon Seller’s receipt of payment in full for the products and subject to Buyer’s compliance with the terms of sale and any other agreement with Seller relating to the products, Seller warrants to the Buyer that the products manufactured by the Seller are free from defects in material and workmanship for a period not to exceed two (2) years or ten thousand (10,000) hours of operation, whichever comes first, from the date the product is shipped by Seller to Buyer (the “**Initial Warranty**”).

2. **EXCLUSION OF ALL OTHER EXPRESS WARRANTIES; EXCLUSION OF ALL IMPLIED WARRANTIES.** OTHER THAN THE INITIAL WARRANTY, NO OTHER EXPRESS WARRANTIES ARE MADE. ALL IMPLIED WARRANTIES OF EVERY TYPE AND KIND, INCLUDING BUT NOT LIMITED TO ANY IMPLIED WARRANTY OF MERCHANTABILITY OR FITNESS FOR A PARTICULAR PURPOSE OR USE, ARE EXCLUDED IN ALL RESPECTS AND FOR ALL PURPOSES. SELLER DISCLAIMS AND MAKES NO IMPLIED WARRANTIES WHATSOEVER.

3. **Exclusions.** The Initial Warranty does not include damage to the product resulting from accident, misuse, improper installation or operation, unauthorized or improper repair, replacement or alteration (including but not limited to repairs, replacements, or alterations made or performed by persons other than Seller’s employees or authorized representatives), failure to provide or use of improper maintenance, unreasonable use or abuse of the product, or failure to follow written installation or operating instructions. Buyer must return the product’s record of purchase to the Seller or one of Seller’s authorized representatives within thirty (30) days of the date the product is shipped by Seller to Buyer in order to make a claim under the Initial Warranty. Notwithstanding anything contained herein to the contrary, all glassware, including but not limited to reference thermometers, are expressly excluded from the Initial Warranty.

4. **Buyer’s sole remedies; Limitations on Seller’s Liability.** Buyer’s sole and exclusive remedy under the Initial Warranty is strictly limited, in Seller’s sole discretion, to either: (i) repairing defective parts; or (ii) replacing defective parts. In either case, the warranty period for the product receiving a repaired or replaced part pursuant to the terms of the Initial Warranty shall not be extended. All repairs or replacements performed by Seller pursuant to these Warranty Provisions shall be performed at Seller’s facility in Allentown, Pennsylvania, U.S.A. or at the facility of an authorized representative of Seller, which location shall be determined by Seller in its sole discretion; provided, however, that Seller may, in its sole discretion perform such repairs or replacements at Buyer’s facility in which case Buyer shall pay Seller’s travel, living and related expenses incurred by Seller in performing the repairs or replacements at Buyer’s facility. As a condition precedent to Seller’s obligation to repair or replace a product part under the Initial Warranty, Buyer shall (i) promptly notify Seller in writing of any such defect; (ii) shall have returned the product’s record of purchase to Seller or to one of Seller’s authorized representatives within thirty (30) days of the date the product is delivered to Buyer; and (iii) assist Seller in all respects in its attempts to determine the legitimacy and basis of any claims made by or on behalf of Buyer including but not limited to providing Seller with access to the product to check operating conditions. If Buyer does not provide such written notice to Seller within the Initial Warranty period or fails to return the product’s record of purchase as set forth above, Seller shall have no further liability or obligation to Buyer therefore. In no event shall Seller’s liability under the Initial Warranty exceed the original purchase price of the product which is the subject of the alleged defect.

5. **THE REMEDIES PROVIDED IN THE INITIAL WARRANTY ARE THE SOLE AND EXCLUSIVE REMEDIES AVAILABLE TO THE BUYER. NOTWITHSTANDING ANYTHING TO THE CONTRARY CONTAINED HEREIN, AND EVEN IF THE SOLE AND EXCLUSIVE REMEDIES FAIL OF THEIR**

## WARRANTY PROVISIONS

**ESSENTIAL PURPOSE FOR ANY REASON WHATSOEVER, IN NO EVENT SHALL SELLER BE LIABLE FOR BUYER'S MANUFACTURING COSTS, LOST PROFITS, GOODWILL, OR ANY OTHER SPECIAL, INDIRECT, PUNITIVE, INCIDENTAL OR CONSEQUENTIAL DAMAGES TO BUYER OR ANY THIRD PARTY AND ALL SUCH DAMAGES ARE HEREBY DISCLAIMED.**

6. **Assignment.** Buyer shall not assign any of its rights or obligations hereunder without the prior written approval of Seller; provided, however, that if Buyer is a distributor of Seller, the rights and obligations of Buyer under these Warranty Provisions shall inure to the benefit of and be binding upon Buyer's customers who provide the product's proof of purchase to Seller pursuant to the terms set forth herein. Seller may assign any or all of its rights or obligations hereunder without Buyer's prior consent.

7. **Governing Law.** The Warranty Provisions and all questions relating to their validity, interpretation, performance, and enforcement shall be construed in accordance with, and shall be governed by, the substantive laws of the Commonwealth of Pennsylvania without regard to its principles of conflicts of law.

8. **Waiver.** Any failure of the part of Seller to insist on strict compliance with the Warranty Provisions shall no way constitute a waiver of such right. No claim or rights arising out of a breach of the Warranty Provisions by Buyer may be discharged in whole or in part by a waiver of the claim or right, unless the waiver is in writing signed by an authorized representative of Seller. Seller's waiver or acceptance of any breach by Buyer of any provisions of the Warranty Provisions shall not constitute a waiver of or an excuse for nonperformance as to any other provision of the Warranty Provisions nor as to any prior or subsequent breach of the same provision.

9. **Freight.** Buyer will arrange and pay for shipping and handling charges for the unit to be returned to the Seller. Seller will arrange and pay for shipping and handling for the return of the unit to the Buyer.