

Switch-Pro™

Remote Level Isolation Controller



LC90 and LC92 Series Manual



The LC90 & LC92 Series Controllers are isolation level controllers designed for use with intrinsically safe devices. The controller family is offered in three configurations for pump and valve control. The LC90 Series features a single 10A SPDT relay output and can accept one level sensor as an input. The LC92 Series features both a single 10A SPDT and a single 10A Latching SPDT relay. This package allows for a three-input system that can perform an automatic operations (fill or empty) and an alarm operation (high or low). The LC92 series can also be a two-input controller that can perform dual alarms (2-high, 2-low or 1-high, 1-low). Package either controller series with level switch sensors and fittings.

FEATURES

- Fail-Safe relay control of pumps, valves or alarms with a 0.15 to 60 second delay
- Polypropylene enclosure can be DIN rail mounted or back panel mounted.
- Easy setup with LED indicators for sensor(s), power and relay status.
- Invert switch changes relay state from NO to NC without rewiring.
- AC powered

TABLE OF CONTENTS

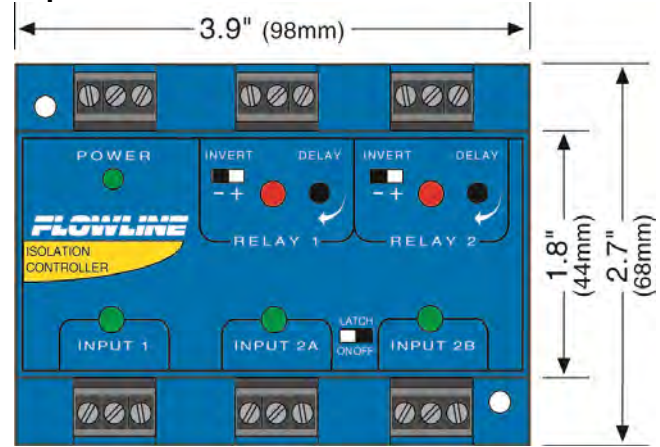
Specifications / Dimensions:..... 3
 Specifications:..... 3
 Dimensions: 3
 Control Diagram:..... 4
 Control Label:..... 4
 Safety Precautions:..... 5
 Make a Fail-Safe System:..... 6
 Getting Started:..... 7
 Components:..... 7
 Features of the Single Input High or Low Alarm Relay: 8
 Features of the Dual Input Automation Fill/Empty Relay: 9
 Guide to Controls: 10
 Wiring: 11
 Connecting Switches to Input Terminals:..... 11
 LED Indication:..... 11
 Relay and Power Terminals:..... 12
 VAC Power Input Wiring: 12
 Changing from 120 to 240 VAC 12
 Installation..... 13
 Application Exmaples 14
 Low Level Alarm: 14
 High Level Alarm:..... 14
 Pump Protection: 15
 Automatic Fill: 15
 Automatic Empty:..... 16
 Leak Detection: 16
 Appendix..... 17
 Relay Logic – Automatic Filling and Emptying:..... 17
 Relay Logic – Independent Relays: 17
 Latch – ON vs. OFF: 18
 Controller Logic..... 18
 Troubleshooting 19
 Warranty 20

SPECIFICATIONS:

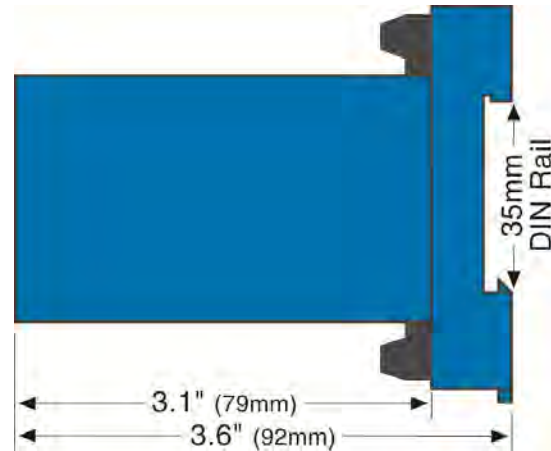
Supply voltage: 120 / 240 VAC, 50 - 60 Hz.
 Consumption: 5 Watts max.
 Sensor inputs: LC90: (1) level switch
 LC92: (1, 2 or 3) level switches
 Sensor supply: 13.5 VDC @ 27 mA per input
 LED indication: Sensor, relay & power status
 Contact type: LC90: (1) SPDT Relay
 LC92: (2) SPDT Relays,
 1 Latching
 Contact rating: 250 VAC, 10A
 Contact output: Selectable NO or NC
 Contact latch: Select On/Off (LC92 only)
 Contact delay: 0.15 to 60 seconds
 Electronics temp.: F: -40°to 140°
 C: -40°to 60°
 Enclosure rating: 35mm DIN (EN 50 022)
 Enclosure material: PP (U.L. 94 VO)
 Classification: Associated apparatus
 Approvals: CSA, LR 79326
 Safety: Class I, Groups A, B, C & D;
 Class II, Groups E, F & G;
 Class III
 Parameters: Voc = 17.47 VDC;
 Isc = 0.4597A;
 Ca = 0.494µF;
 La = 0.119 mH

DIMENSIONS:

Top View - All Models



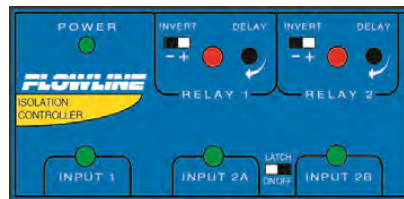
Side View - All Models



CONTROLLER LABELS:

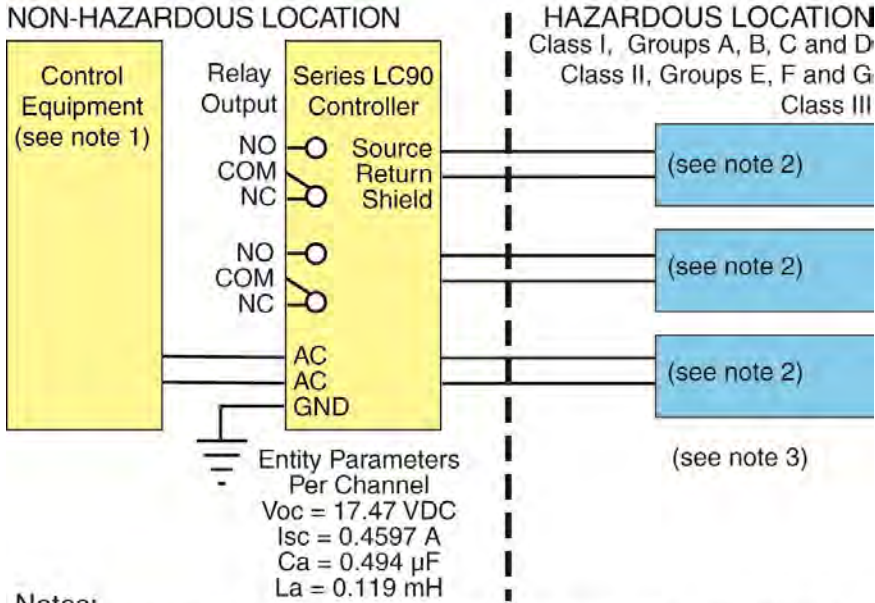


LC90 series faceplate: 1 sensor input, 1 relay output.



LC92 series faceplate: 3 sensor input, 2 relay outputs. One relay is latching and the other is a single input relay.

CONTROL DIAGRAM:




Notes:

1. Control equipment connected to series LC90 controller must not use or generated more than 250V .
2. CSA certified equipment with entity parameters connected in accordance with manufactures instructions or switches, thermocouples, LEDs, or RTDs.
3. Separation must be maintained between wiring of separate channels.
4. Installation should be in accordance with CEC Part I or NFPA 70.

Controller Drawing: LCD1
Rev A. 7-21-95

CONTROL LABEL:



LR79326-4
C US

Associated Equipment / Apperillage
[Exia] Connexe

Outputs suitable for use in Hazardous
Locations:

Class I Groups A, B, C & D
Class II Groups E, F & G
Class III Volt/Ohm Parameters

Entity Parameters 17.5 V 40 Ohms
V_{oc} = 17.47VDC C_a = 0.494 uF
I_{sc} = 0.4597A L_a = 0.119 mH

Power Rating: 5.0 Watts max.
See Instruction Manual for Installation
Info

Warning: substitution of components
may impair Intrinsic Safety

Avertissement:
la substitution de composants peut
compromettre la Securite Intrinseque

Controller must be installed per drawing
LCD1

- ⚠ **About This Manual:** PLEASE READ THE ENTIRE MANUAL PRIOR TO INSTALLING OR USING THIS PRODUCT. This manual includes information on three different models of Remote Isolation Relay Controllers from FLOWLINE: LC90 and LC92 series. Many aspects of installation and use are similar between the three models. Where they differ, the manual will note it. Please refer to the part number on the controller you have purchased as you read.
- ⚠ **User's Responsibility for Safety:** FLOWLINE manufactures several controller models, with different mounting and switching configurations. It is the user's responsibility to select a controller model that is appropriate for the application, install it properly, perform tests of the installed system, and maintain all components.
- ⚠ **Special Precaution for Intrinsically Safe Installation:** DC powered sensors should not be used with explosive or flammable liquids unless powered by an intrinsically safe controller such as the LC90 series. "Intrinsically safe" means that the LC90 series controller has been specifically designed so that under normal conditions the sensor input terminals cannot transmit unsafe voltages that could cause sensor failure and spark an explosion in the presence of a specific atmospheric mixture of hazardous vapors. Only the sensor section of the LC90 is intrinsically safe. The controller itself cannot be mounted in a hazardous or explosive area, and the other circuit sections (AC power and relay output) are not designed to connect to hazardous areas.
- ⚠ **Follow Intrinsically Safe Installation Procedures:** The LC90 must be installed in compliance with all local and national codes, following the latest National Electric Code (NEC) guidelines, by licensed personnel who have experience in intrinsically safe installations. For example, the sensor cable(s) must pass through a conduit vapor seal fitting in order to maintain the barrier between the hazardous and nonhazardous area. In addition, the sensor cable(s) may not travel through any conduit or junction box that is shared with non-intrinsically safe cables. For further details, consult the NEC.
- ⚠ **Maintain the LC90 in Intrinsically Safe Condition:** Modification to the LC90 will void the warranty and may compromise the intrinsically safe design. Unauthorized parts or repairs will also void the warranty and the intrinsically safe condition of the LC90.

⚠ IMPORTANT ⚠

Do not connect any other devices (such as a data logger or other measurement device) to a sensor terminal, unless the measurement probe is rated intrinsically safe also. Improper installation, modification, or use of the LC90 series in an installation requiring intrinsically safe equipment may cause property damage, bodily injury or death. FLOWLINE, Inc. will not be responsible for any liability claims due to improper installation, modification, repair or use of the LC90 series by other parties.

- ⚠ Electrical Shock Hazard:** It is possible to contact components on the controller that carry high voltage, causing serious injury or death. All power to the controller and the relay circuit(s) it controls should be turned OFF prior to working on the controller. If it is necessary to make adjustments during powered operation, use extreme caution and use only insulated tools. Making adjustments to powered controllers is not recommended. Wiring should be performed by qualified personnel in accordance with all applicable national, state and local electrical codes.
- ⚠ Install In a Dry Location:** The controller housing is not designed to be immersed. When installed properly, it should be mounted in such a way that it does not normally come into contact with liquid. Refer to an industry reference to ensure that compounds that may splash onto the controller housing will not damage it. Such damage is not covered by the warranty.
- ⚠ Relay Contact Rating:** The relay is rated for a 10 amp resistive load. Many loads (such as a motor during start-up or incandescent lights) are reactive and may have an inrush current characteristic that may be 10 to 20 times their steady-state load rating. The use of a contact protection circuit may be necessary for your installation if the 10 amp rating does not provide an ample margin for such inrush currents.
- ⚠ Make a Fail-Safe System:** Design a fail-safe system that accommodates the possibility of relay or power failure. If power is cut off to the controller, it will de-energize the relay. Make sure that the de-energized state of the relay is the safe state in your process. For example, if controller power is lost, a pump filling a tank will turn off if it is connected to the Normally Open side of the relay.

While the internal relay is reliable, over the course of time relay failure is possible in two modes: under a heavy load the contacts may be “welded” or stuck into the energized position, or corrosion may build up on a contact so that it will not complete the circuit when it should. In critical applications, redundant backup systems and alarms must be used in addition to the primary system. Such backup systems should use different sensor technologies where possible.

While this manual offers some examples and suggestions to help explain the operation of FLOWLINE products, such examples are for information only and are not intended as a complete guide to installing any specific system.

COMPONENTS:

Part Number	Power	Inputs	Alarm Relays	Latching Relays	Function
LC90-1001	120 VAC	1	1	0	High Level, Low Level or Pump Protection
LC90-1001-E	240 VAC				
LC92-1001	120 VAC	3	1	1	Alarm (Relay 1) - High Level, Low Level or Pump Protection Latching (Relay 2) - Automatic Fill, Automatic Empty, High Level, Low Level or Pump Protection.
LC92-1001-E	240 VAC				

- Owner's Manual

240 VAC OPTION:

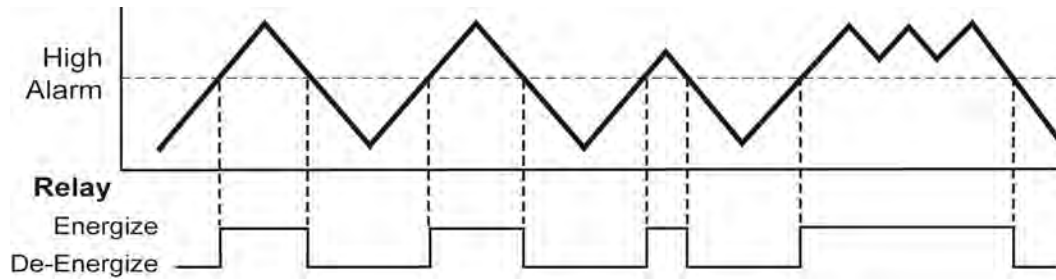
When ordering any 240 VAC version of the LC90 series, the sensor will arrive configured for 240 VAC operation. 240 VAC versions will include a -E to the part number (i.e. LC90-1001-E).

FEATURES OF A SINGLE INPUT HIGH OR LOW RELAY:

Single Input Relays are designed to receive a signal from a single liquid sensor. It turns its internal relay ON or OFF (as set by the invert switch) in response to the presence of liquid, and changes the relay status back again when the sensor is dry.

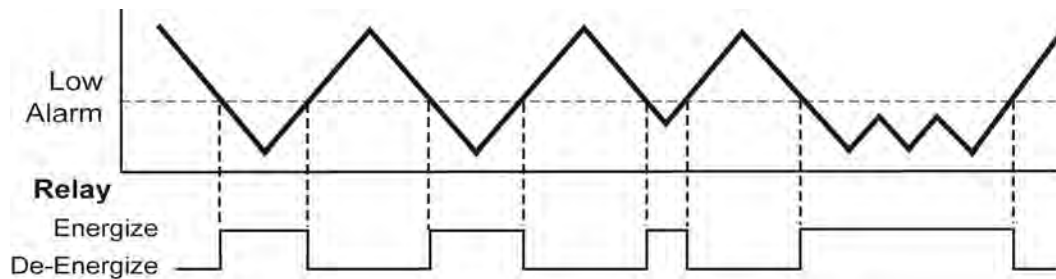
High Alarm:

Invert is OFF. Relay will energize when the switch becomes Wet and will de-energize when the switch becomes Dry (out of liquid).



Low Alarm:

Invert is ON. Relay will energize when the switch becomes Dry (out of liquid) and will de-energize when the switch becomes Wet.



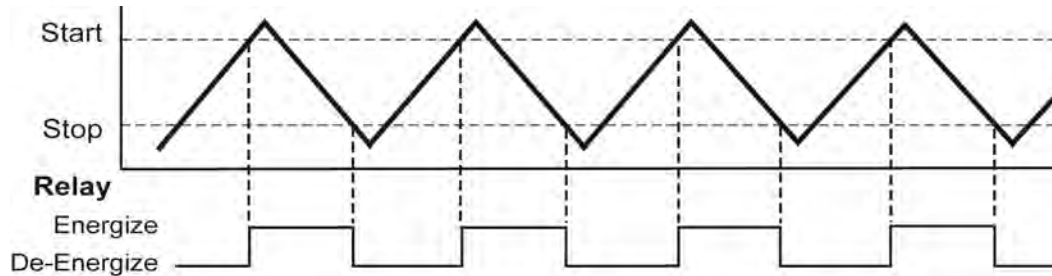
Single Input Relays may be used with almost any kind of sensor signal: current sensing or contact closure. The relay is a single pole, double throw type; the controlled device can be connected to either the normally open or normally closed side of the relay. A time delay from 0.15 to 60 seconds can be set before the relay responds to the sensor input. Typical applications for Single Input Relays are high level or low level switch/alarm operations (opening a drain valve whenever liquid level rises to a sensor point) and leak detection (sounding an alarm when a leak is detected, etc.).

FEATURES OF A DUAL INPUT AUTOMATIC FILL/EMPTY RELAY:

The Dual Input Automatic Fill/Empty Relay (LC92 series only) is designed to receive signals from two liquid sensors. It turns its internal relay ON or OFF (as set by the invert switch) in response to the presence of liquid on both sensors, and changes the relay status back again when both sensors are dry.

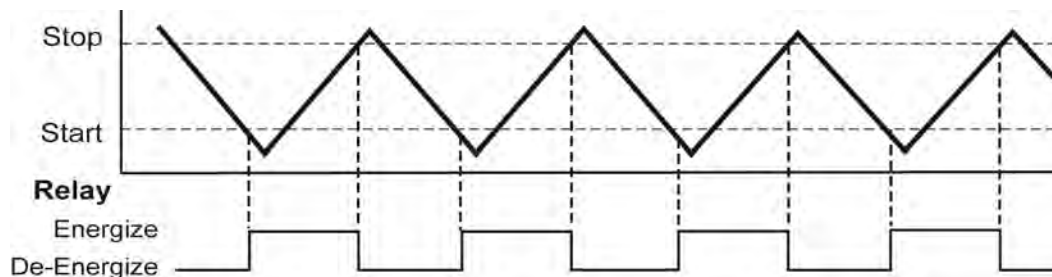
Automatic Empty:

Latch is ON & Invert is OFF. Relay will energize when level reaches high switch (both switches are wet). Relay will de-energize when level is below the bottom switch (both switches are dry).



Automatic Fill:

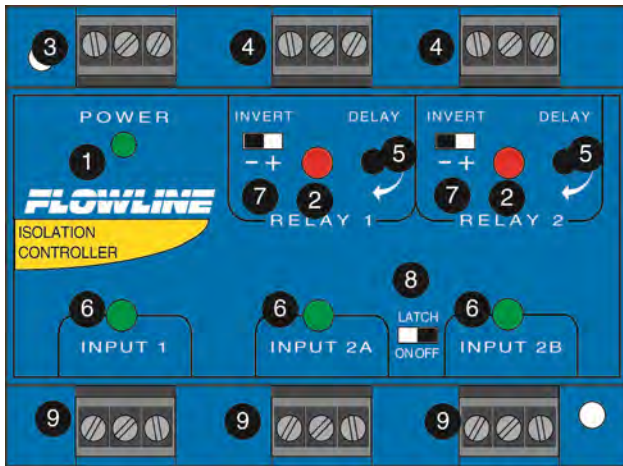
Latch is ON & Invert is ON. Relay will energize when level is below the bottom switch (both switches are dry). Relay will de-energize when level reaches high switch (both switches are wet).



The Dual Input Automatic Fill/Empty Relay may be used with almost any kind of sensor signal: current sensing or contact closure. The relay is a single pole, double throw type; the controlled device can be connected to either the normally open or normally closed side of the relay. A time delay from 0.15 to 60 seconds can be set before the relay responds to the sensor input. Typical applications for Dual Input Relays are automatic filling (starting fill pump at a low level and stopping pump at a high level) or automatic emptying operations (opening a drain valve at a high level and closing valve at low level).

GUIDE TO CONTROLS:

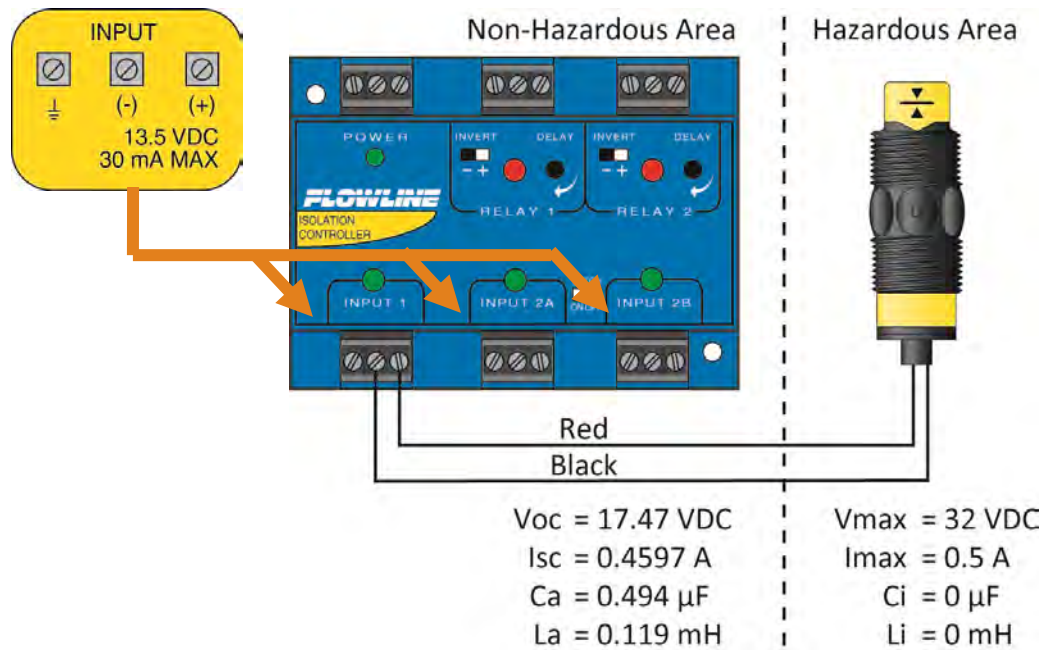
Below is a listing and the location of the different components for the controller:



1. **Power indicator:** This green LED lights when AC power is ON.
2. **Relay indicator:** This red LED will light whenever the controller energizes the relay, in response to the proper condition at the sensor input(s) and after the time delay.
3. **AC Power terminals:** Connection of 120 VAC power to the controller. The setting may be changed to 240 VAC if desired. This requires changing internal jumpers; this is covered in the Installation section of the manual. Polarity (neutral and hot) does not matter.
4. **Relay terminals (NC, C, NO):** Connect the device you wish to control (pump, alarm etc.) to these terminals: supply to the COM terminal, and the device to the NO or NC terminal as required. The switched device should be a non-inductive load of not more than 10 amps; for reactive loads the current must be derated or protection circuits used. When the red LED is ON and the relay is in the energized state, the NO terminal will be closed and the NC terminal will be open.
5. **Time delay:** Use potentiometer to set delay from 0.15 to 60 seconds. Delay occurs during switch make and switch break.
6. **Input indicators:** Use these LEDs for indicating WET or DRY status of switch. When switch is WET, LED will be Amber. When switch is DRY, LED will either be Green for powered switches or OFF for reed switches. **Note:** Reed switches may be reversed for WET/OFF, DRY/Amber LED indication.
7. **Invert switch:** This switch reverses the logic of the relay control in response to the switch(es): conditions that used to energize the relay will now de-energize the relay and vice versa.
8. **Latch switch (LC92 series only):** This switch determines how the relay will be energized in response to the two sensor inputs. When LATCH is OFF, the relay responds to sensor Input A only; when LATCH is ON, the relay will energize or de-energize only when both switches (A and B) are in the same condition (both wet or both dry). The relay will remain latched until both switches change conditions.
9. **Input terminals:** Connect the switch wires to these terminals: **Note the polarity:** (+) is a 13.5 VDC, 30 mA power supply (connected to the red wire of a FLOWLINE powered level switch), and (-) is the return path from the sensor (connected to the black wire of a FLOWLINE powered level switch). With powered level switches, if the wires are reversed, the sensor will not work. With reed switches, wire polarity does not matter.

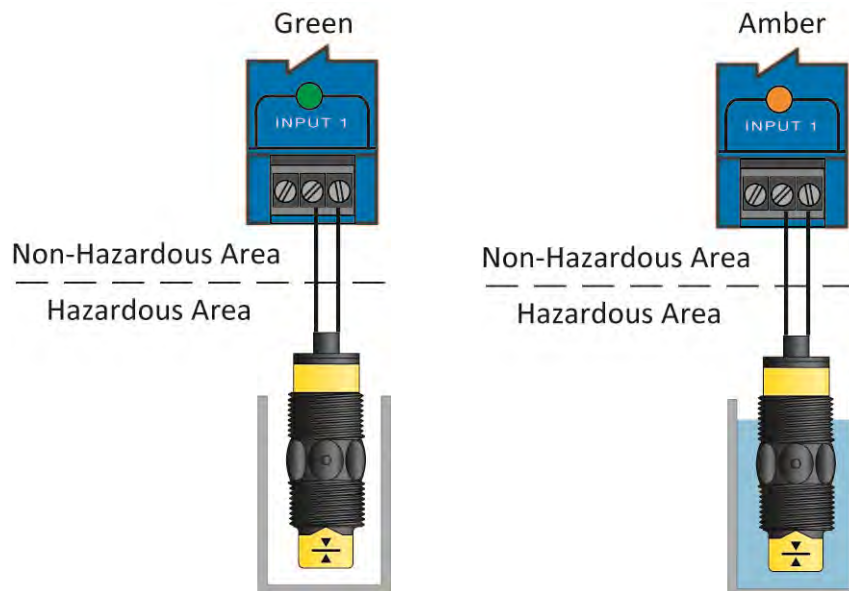
CONNECTING SWITCHES TO INPUT TERMINALS:

All FLOWLINE intrinsically safe level switches (such as the LU10 series) will be wired with the Red wire to the (+) terminal and the Black wire to the (-) terminal.



LED INDICATION:

Use LED's located above the input terminals to indicate whether the switch is in a wet or dry state. With powered switches, Green indicates dry and Amber indicates wet. With reed switches, Amber indicates wet and no LED indicates dry. **Note:** reed switches may be wired in reverse so that Amber indicates a dry state and no LED indicates a wet state.

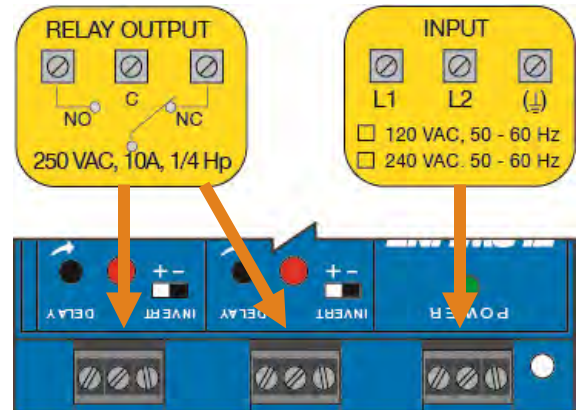


RELAY AND POWER TERMINALS

Depending on the model selected, there will be either one or two relays. The label for the relay applies for both relays. Each terminal has a Normally Open (NO), Common (C) and Normally Open (NO) terminal. The relay(s) is(are) a single pole, double throw (SPDT) type rated at 250 Volts AC, 10 Amps, 1/4 Hp.

Note: The relay contacts are true dry contacts. There is no voltage sourced within the relay contacts.

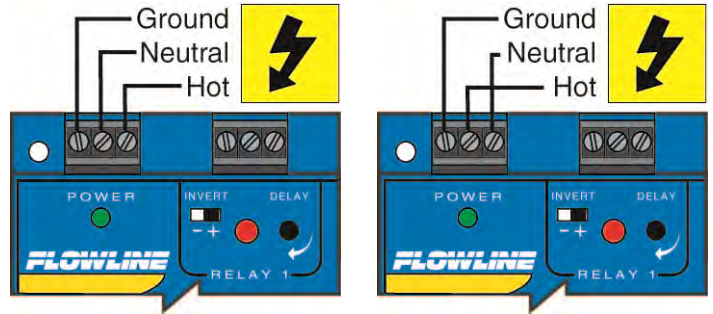
Note: The "normal" state is when the relay coil is de-energized and the Red relay LED is Off / de-energized.



VAC POWER INPUT WIRING:

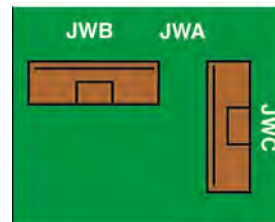
The Power Terminal is located next to the Relay(s). Observe the Power Supply label, which identifies the power requirement (120 or 240 VAC) and the terminal wiring.

Note: Polarity does not matter with the AC input terminal.

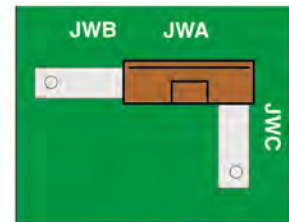


CHANGING FROM 120 TO 240 VAC:

1. Remove the back panel of the controller and gently slide the printed circuit board from the housing. Use caution when removing the PCB.
2. Located jumpers JWA, JWB and JWC on the PCB.
3. To change to 240 VAC, remove jumpers from JWB and JWC and place a single jumper across JWA. To change to 120 VAC, remove jumper JWA and place jumpers across JWB and JWC.
4. Gently return PCB into housing and replace back panel.



120 VAC Configuration



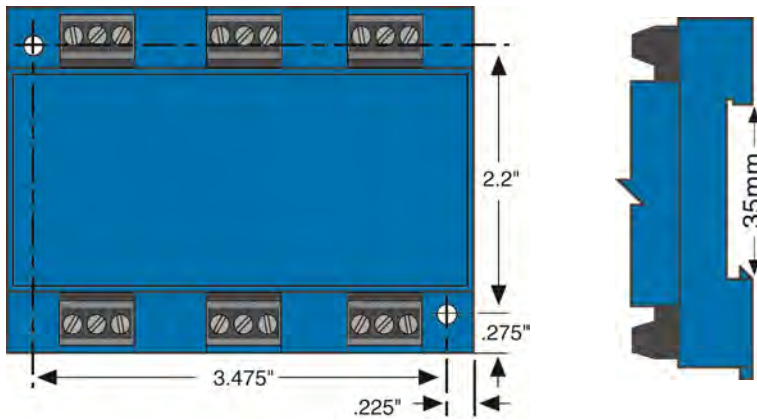
240 VAC Configuration

240 VAC OPTION:

When ordering any 240 VAC version of the LC90 series, the sensor will arrive configured for 240 VAC operation. 240 VAC versions will include a -E to the part number (i.e. LC90-1001-E).

PANEL DIN RAIL MOUNTING:

The controller may be mounted by either a back panel using two screws through mounting holes located at the corners of the controller or by snapping the controller on 35 mm DIN Rail.



Note: Always install the controller in a location where it does not come into contact with liquid.

LOW LEVEL ALARM:

The goal is to make sure that an operator is notified if the liquid level falls below a certain point. If it does, an alarm will sound, alerting the operator of a low level. A level switch must be mounted at the location where the alarm will sound.

In this application, the level switch will be Wet all the time. When the level switch becomes Dry, the relay contact will close causing the alarm to activate. Normal status for the application is for the controller to hold the relay open with the alarm wired through the Normally Closed contact. The Relay will be energized, the relay LED will be On and Invert will be Off. When the level switch becomes Dry, the relay will de-energize causing the contact to close allowing the alarm to activate.



To do this, connect the hot lead of the alarm to the NC side of the relay terminal of the controller. If power is lost, the relay will be de-energized, and the alarm will sound (if there is still power to the alarm circuit itself).

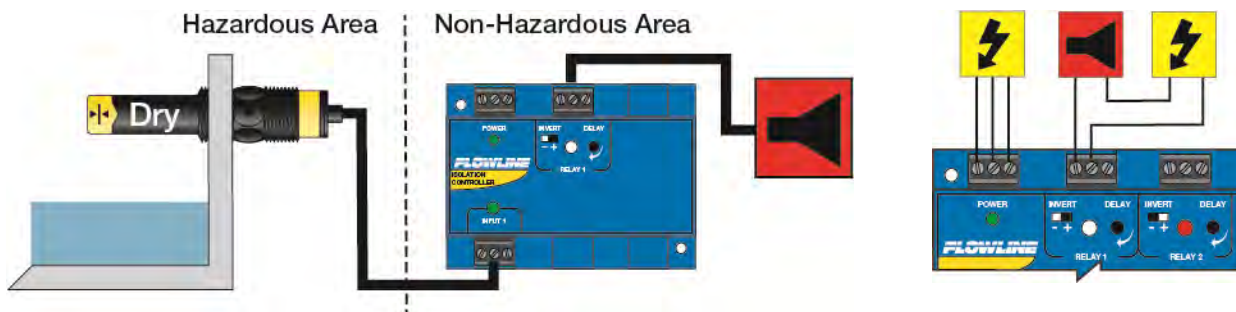
Note: If power is accidentally cut to the controller, the level switch’s ability to notify the operator of a low level alarm could be lost. To prevent this, the alarm circuit should have a non-interruptible power supply or some other independent power source.

HIGH LEVEL ALARM:

In the same manor, this system can be used to sound an alarm when fluid reaches a high level, with just a change in the location of the sensor and the setting of the Invert switch.

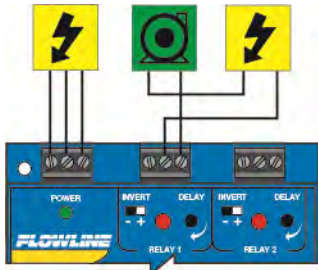
The alarm is still connected to the NC side of the relay to allow for a power failure alarm.

The sensor is normally dry. In this condition, we want the relay to be energized so the alarm does not sound: i.e., the Red relay LED should be on whenever the Input LED is Amber. So we turn Invert On. If the fluid level rises to the high sensor point, the sensor goes on, the relay de-energizes, and the alarm sounds.



PUMP PROTECTION:

The key here is to install a level switch just above the outlet to the pump. As long as the switch is Wet, the pump can operate. If the switch ever becomes Dry, the relay will open preventing the pump from running. To prevent relay chatter, add a small relay delay.

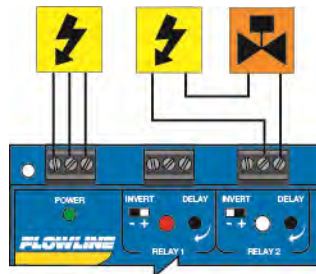


Note: In this application, the relay to the pump must be closed while the level switch is Wet. To do this, connect the relay through the NO side of the relay and set Invert to the OFF position. If power is lost to the controller, the relay will de-energize and keep the circuit open preventing the pump from running.



AUTOMATIC FILL:

This system consists of a tank with a high level sensor, a low level sensor, and a valve that is controlled by the controller. Part of a proper fail-safe design for this particular system is that if power is lost to the controller for any reason, the valve filling the tank must be closed. Therefore, we connect the valve to the NO side of the relay. When the relay is energized, the valve will open and fill the tank. In this case, Invert should be ON. The relay indicator will correspond directly to the open/close status of the valve.



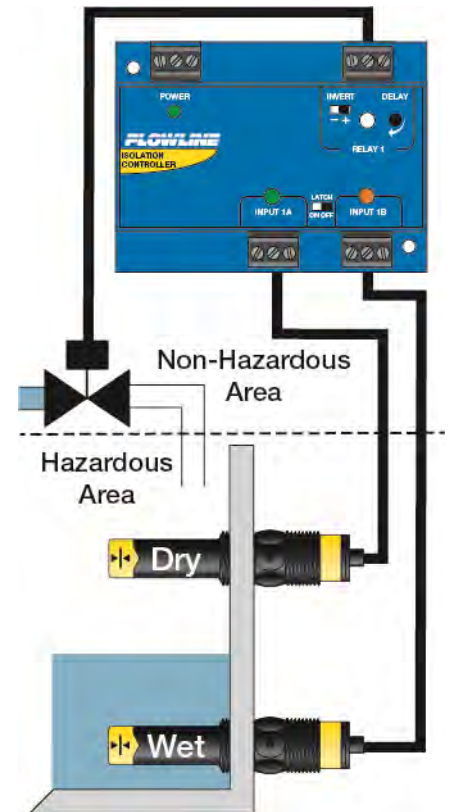
Determining the settings of LATCH and INVERT: This is the way the system must operate:

- When both the high and low sensors are dry, the valve will open (relay energized), starting to fill the tank.
- When the low sensor gets wet, the valve will remain open (relay energized).
- When the high sensor gets wet, the valve will close (relay de-energized).
- When the high sensor becomes dry, the valve will remain closed (relay de-energized).

Latch: In any two-sensor control system, LATCH must be ON.

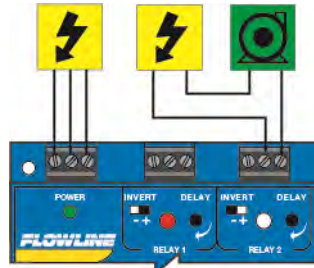
Invert: Referring to the logic chart in Step Eight, we look for the setting that will de-energize the relay (start the pump) when both inputs are wet (Amber LEDs). In this system, Invert should be ON.

Determining A or B input connections: When LATCH is ON, there is no effective difference between Input A and B, since both sensors must have the same signal in order for status to change. When wiring any two-input relay section, the only consideration for hooking a particular sensor to A or B is if LATCH will be OFF.



AUTOMATIC EMPTY:

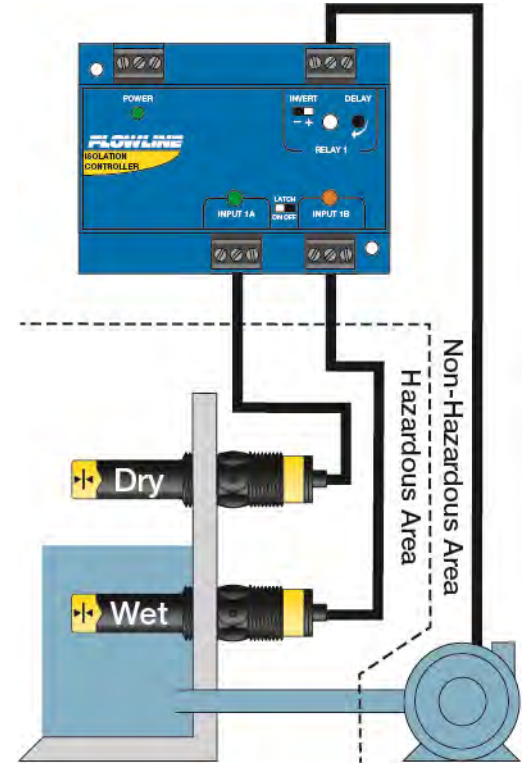
Similar system logic can be used for an automatic empty operation. In this example, we will use a pump to empty a tank. The system still consists of a tank with a high level sensor, a low level sensor, and a pump that is controlled by the controller.



Note: Fail-safe design is critical in an application where the tank is passively filled. A power failure to the controller or the pump circuits may cause the tank to overflow. A redundant high alarm is critical to prevent an overflow.

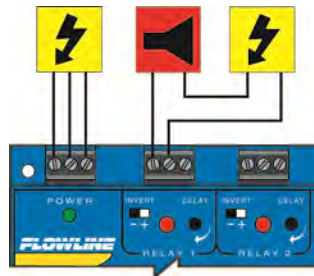
Connect the pump to the NO side of the relay. In this case, Invert should be OFF, when the relay is energized, the pump will run and empty the tank. The relay indicator will correspond directly to the on/off status of the pump.

Note: If the pump motor load exceeds the rating of the controller's relay, a stepper relay of higher capacity must be used as part of the system design.



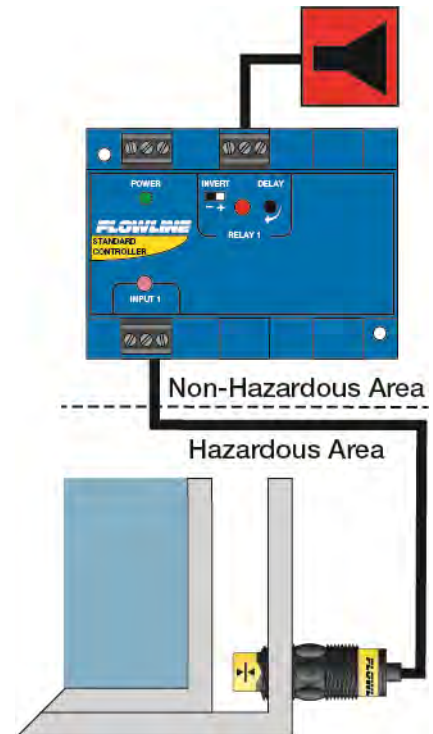
LEAK DETECTION:

A leak detection switch is installed either inside the interstitial space of the tank or through the outer wall. The switch will remain wet 99.99% of the time. Only when liquid comes into contact with the switch will the relay close to activate an alarm.



The alarm is connected to the NC side of the relay to allow for a power failure alarm.

Note: The sensor is normally dry. In this condition, we want the relay to be energized so the alarm does not sound: i.e., the Red relay LED should be on whenever the Input LED is Amber. So we turn Invert On. If liquid comes into contact with the switch, the switch activates, the relay de-energizes, and the alarm sounds.



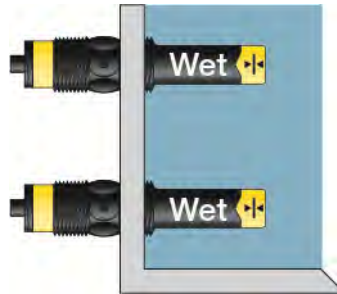
RELAY LOGIC – AUTOMATIC FILLING AND EMPTYING

Latching relay will only switch when both level switches are in the same state.

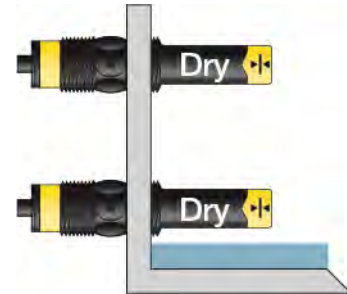
One Switch Dry, One Wet



Both Switches Wet



Both Switches Dry



In this state, the relay will never switch, regardless if this is an Auto Fill or Auto Empty application.

In this state, the relay will typically energize for an Auto Empty application and will typically de-energize for an Auto Fill application.

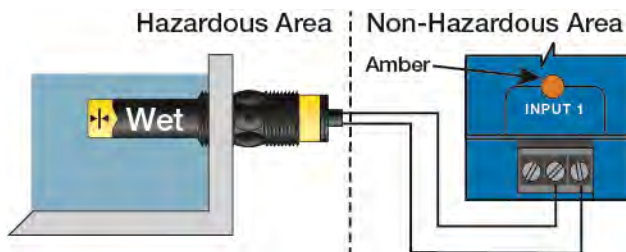
In this state, the relay will typically energize for an Auto Fill application and will typically de-energize for an Auto Empty application.

Note: The state of the application (either filling or emptying) can never be confirmed when one switch is Wet and the other is Dry. Only when both switches are in the same state (both Wet or both Dry) can confirmation of the relay status (energized or de-energized) occur.

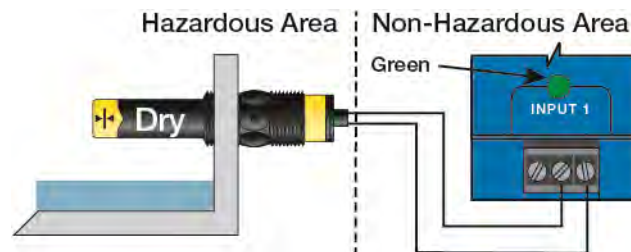
RELAY LOGIC – INDEPENDENT RELAY

Relay will act directly based upon the status of the level switch. When the level switch is Wet, the input LED will be ON (Amber). When the level switch is Dry, the input LED will be Off.

Single Switch Wet



Single Switch Dry



In this state, the relay can be energized with Invert in the OFF setting or can be de-energized with Invert in the ON setting.

In this state, the relay can be energized with Invert in the ON setting or can be de-energized with Invert in the OFF setting.

Note: Always check the status of the level switch and compare that status against the Input LED. If the level switch state (Wet or Dry) corresponds to the Input LED, proceed to the relay. If the level switch state (Wet or Dry) does not correspond to the input LED, then check the functionality of the level switch.

LATCH - ON VS OFF:

The relay can either be an independent relay (high level, low level or pump protection) with Latch OFF or can be a latching relay (automatic fill or empty) with Latch ON.

With Latch OFF, the relay will only respond to INPUT A. INPUT B will be ignored while Latch is OFF.

Invert OFF		Latch OFF
Input A*	Input B*	Relay
ON	No Effect	ON
OFF	No Effect	OFF

Invert ON		Latch OFF
Input A*	Input B*	Relay
ON	No Effect	OFF
OFF	No Effect	ON

With Latch ON, the relay will actuate when INPUT A and INPUT B are in the same condition. The relay will not change its condition until both inputs reverse their state.

Invert OFF		Latch ON
Input A*	Input B*	Relay
ON	ON	ON
OFF	ON	No Change
ON	OFF	No Change
OFF	OFF	ON

Invert ON		Latch ON
Input A*	Input B*	Relay
ON	ON	OFF
OFF	ON	No Change
ON	OFF	No Change
OFF	OFF	ON

Note: Some sensors (particularly buoyancy sensors) may have their own inverting capability (wired NO or NC). This will change the logic of the invert switch. Check your system design.

CONTROLLER LOGIC:

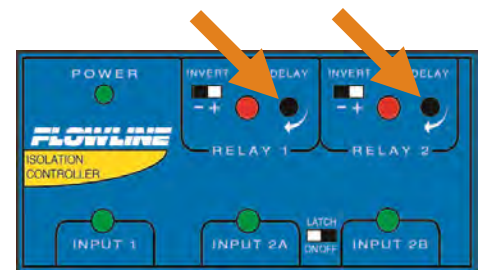
Please use the following guide to understand the operation of the controllers.

- Power LED:** Make sure the Green power LED is ON when power is supplied to the controller.
- Input LED(s):** The input LED(s) on the controller will be Amber when the switch(es) is/are wet and Green or OFF when the switch(es) is/are dry. If the LED's are not switching the input LED, test the level switch.
- Single-Input Relays:** When the input LED turn OFF and ON, the relay LED will also switch. With invert OFF, the relay LED will be: ON when the input LED is ON and OFF when the input LED is OFF. With invert ON, the relay LED will be: OFF when the input LED is ON and ON when the input LED is OFF.
- Dual-Input (latching) Relays:** When both inputs are wet (Amber LED's ON), the relay will be energized (Red LED ON). After that, if one switch becomes dry, the relay will remain energized. Only when both switches are dry (both amber LED's OFF) will the controller de-energize the relay. The relay will not energize again until both switches are wet. See the Relay Latch Logic Chart below for further explanation.

TIME DELAY:

The time delay can be adjusted from 0.15 seconds to 60 seconds. The delay applies to both the Make and Break side of the relay. The delay can be used to prevent relay chatter, especially when you have a liquid level that is turbulent. Typically, a slight rotation clockwise, from a position of all the way counter-clockwise, is enough to prevent relay chatter.

Note: The delay has stops on each end of its 270° rotation.

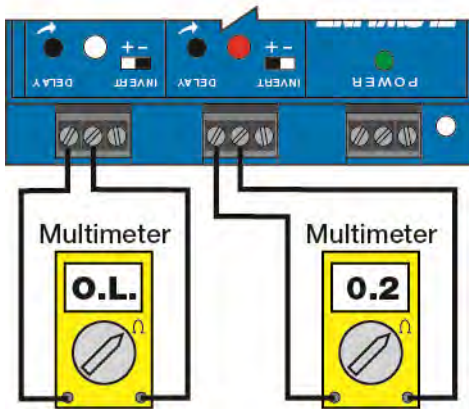
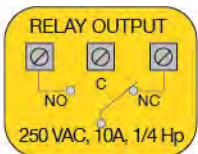


TROUBLESHOOTING

PROBLEM	SOLUTION
Relay switches only from input A (ignores input B)	Latch is turned OFF. Flip the latch switch to turn ON.
Level reaches alarm ON, but relay is OFF.	First, check to make sure the input LED is ON. If not, check wiring to sensor. Second, check status of Relay LED. If incorrect, flip the Invert switch to change the relay state.
Pump or Valve is supposed to stop, but it does not.	First, check to make sure the input LEDs are both in the same state (both ON or both OFF). If not, check wiring to each sensor. Second, check status of Relay LED. If incorrect, flip the Invert switch to change the relay state.
Controller is powered, but nothing happens.	First check the Power LED to make sure it is Green. If not, check the wiring, power and make sure the terminal is seated correctly.

TESTING RELAYS:

Normally Open (NO) Wiring:



The relay contacts are true dry contacts with no voltage sourced within the relay contacts. To test, connect a Multimeter set to read Ohms.

Normally Open Wiring

- With Invert Off, circuit will be Open.
- With Invert ON, circuit will read a small resistance.

Normally Closed Wiring

- With Invert Off, circuit will be read a small resistance.
- With Invert ON, circuit will be open.

Normally Closed (NC) Wiring:

