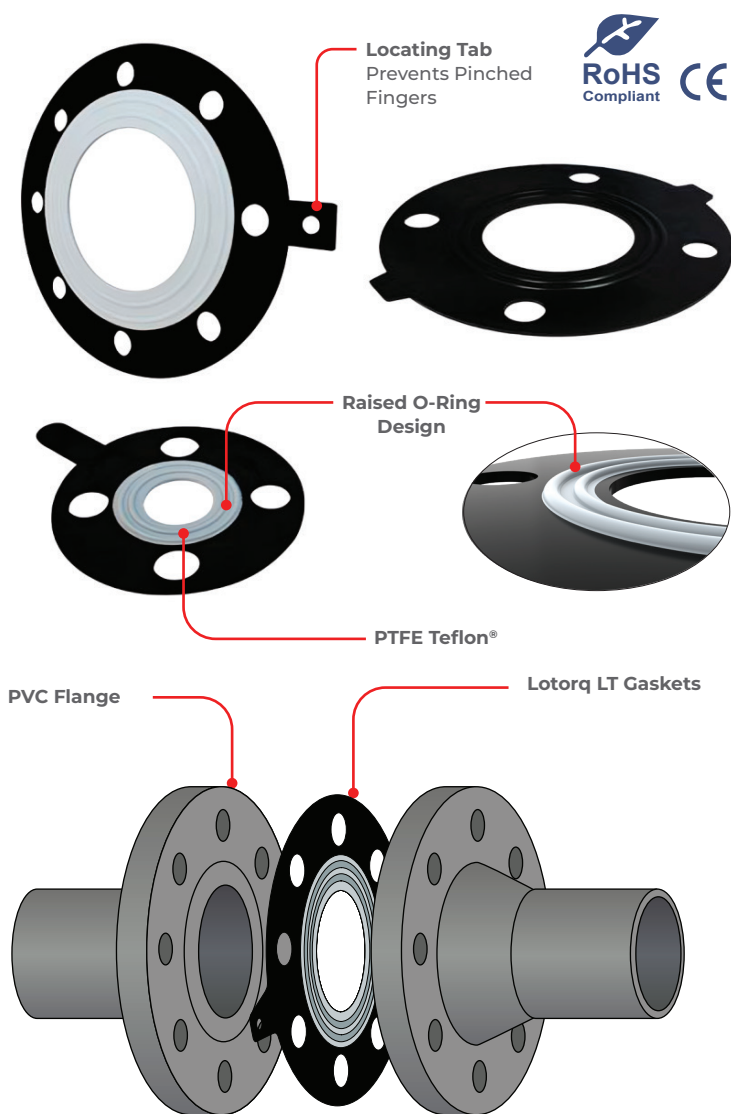


Lotorq LT Series

Full Faced ANSI Flange Gaskets



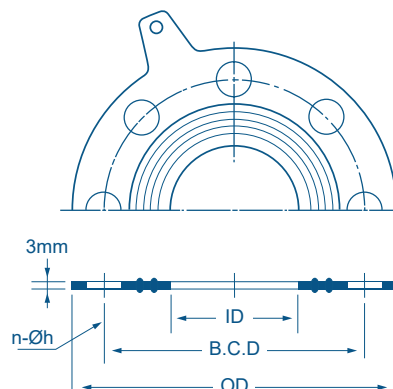
- ✓ Reduces Flange Breakage
- ✓ Double Convex Raised O-Ring Design
- ✓ Full Faced Design | Reduces Pressure Drop
- ✓ Seals with 75% Less Bolt Torque Vs Flat Faced

Enhanced Sealing Efficiency

The Truflo® Lotorq LT Series Flange Gaskets are recommended for all types of non-metal plastic flanged connections to prevent initial breakage due to bolt over-tightening.

The unique double raised O-Ring Design provides excellent sealing with 75% less bolt torque required for flat face gaskets. The PTFE gaskets have PTFE Teflon® sheet material bonded directly to the EPDM. The LT Series is ideal for Thermoplastic Piping Systems for applications up to 250 psi.

Dimensions



Recommended Bolt Torque (FT-LBS)

Nominal Size		PTFE	EPDM
Inches	mm		
1/2	15	14	6
3/4	20	14	6
1	25	16	16
1- 1/4	32	16	16
1- 1/2	40	16	16
2	50	18	18
2- 1/2	65	18	18
3	80	22	22
4	100	22	22
5	125	31	31
6	150	31	31
8	200	41	41
10	250	41	41
12	300	45	45

Size	DN	ASME B16.21	ID	OD	B.C.D	No. of Holes	Dia. of Holes
1/2"	15	150#	21	89	60	4	16
3/4"	20	150#	27	98	70	4	16
1"	25	150#	33	108	79	4	16
1-1/2"	40	150#	48	127	98	4	16
2"	50	150#	60	152	121	4	19
2-1/2"	65	150#	73	178	140	4	19
3"	80	150#	89	191	152	4	19
4"	100	150#	114	229	191	8	19
5"	125	150#	141	254	216	8	22
6"	150	150#	168	279	241	8	22
8"	200	150#	219	343	298	8	22
10"	250	150#	273	406	362	12	25
12"	300	150#	324	483	432	12	25
14"	350	150#	356	533	476	12	29
16"	400	150#	406	597	540	16	29
18"	450	150#	457	635	578	16	32
20"	500	150#	508	699	635	20	32
24"	600	150#	610	813	749	20	35