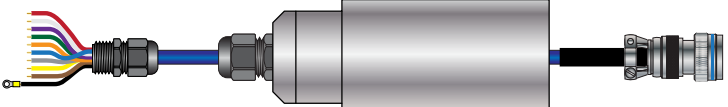


Transmitters

Feature	Model		
	RCTN	RCTX	RCTX with Display
Enclosure	NEMA 4 (IP65); powder coated aluminum, polycarbonate, urethane and stainless steel	NEMA 4X (IP66); powder coated aluminum, polycarbonate, urethane and stainless steel without glass window	NEMA 4X (IP66); powder coated aluminum, polycarbonate, urethane and stainless steel with glass window
Power Requirements	115/230V AC; ±15% 50/60 Hz 25W maximum 20...28V DC; 15W maximum	— 18...28V DC; 15W maximum	—
Ambient Temperature	14...158° F (–10...70° C)	– 4...140° F (–20...60° C)	– 4...140° F (–20...60° C)
Configuration	Four-button HMI or RCT Console configuration	RCT Console configuration	Four-Optical button HMI or RCT Console configuration
Display	4 line × 20 character; alpha-numeric; dot matrix; LED backlighting	—	4 line × 20 character; alpha-numeric; dot matrix; LED backlighting
RTD Input	Standard (1 input)	Built-in 100 Ohm Platinum RTD within the sensor body	
	Optional (1 auxiliary input)	Additional 100 Ohm 3-wire Platinum RTD input for the secondary RTD is used by customers who want to be able to calibrate their RTD	—
Analog I/O	Outputs	Three 4...20 mA (0...22 mA capable), maximum load 500 Ohms, approximately 16 bit resolution outputs; assignable to mass flow, volume, density, temperature, concentration, PID and similar measurements. User defined fault condition output value anywhere in the 0...22 mA range	Two (three with HART Option) 4...20 mA (0...22 mA capable), maximum load 500 Ohms, approximately 16 bit resolution outputs; assignable to mass flow, volume, density, temperature, concentration, PID and similar measurements. User defined fault condition output value anywhere in the 0...22 mA range
	Inputs	Two 0...5V DC inputs. 20k Ohms input impedance, approximately 12 bit resolution	One 0...5V DC input. 20k Ohms input impedance, approximately 12 bit resolution
Auxiliary Power	Internal 24V DC supply, 100 mA max. (for batching functions, frequency output channel and like applications)	—	—
Frequency/Pulse Output	One open collector transistor, user configurable as rate (3 kHz max output), accumulator 0...10 Hz; PWM with 1 kHz, 5...28V DC carrier. User assignable to rate, any totalizer, PID, temperature, density, concentration or other similar measurements		
Digital I/O	Outputs	Four 5...28V DC, 50 mA maximum current draw (external pullup resistor required)	Two 5...28V DC, 50 mA maximum current draw (external pullup resistor required)
	Inputs	Four 5...24V DC, 1k Ohms impedance	Three 5...24V DC, 1k Ohm impedance
Industrial Communications Modular Port	Standard	Modbus RTU (EIA-485/RS485)	
	Optional Module	Modbus TCP/IP & EtherNet/IP	
	Optional Module	—	HART 7
Standard Configuration Port	USB 2.0 interface (through a Mini-B receptacle) for RCT Console software		
Alarms	Six Hi/Lo Alarms; Alarm status on display by default, assignable to digital Output 2 or 4 and available via digital communications	Six Hi/Lo Alarms; Alarm status on display by default, assignable to digital Output 2 and available via digital communications	
Transmission Distance	Up to 100 ft (30 meters); contact factory if longer length is needed		
Measurements	Forward and reverse mass flow and total, density, temperature; concentration, volumetric flow and total (derived)		
Other Functions	Batch control, PID control. User configuration of all I/O functions		

CABLE KITS

The kits include the cable assembly, cable protector and sensor cable connection cover.			
RC820476-20	Kit, PVC jacketed cable 20 ft	Temp range: –40...176° F (–40...80° C)	
RC820476-35	Kit, PVC jacketed cable 35 ft		
RC820476-50	Kit, PVC jacketed cable 50 ft		
RC820476-70	Kit, PVC jacketed cable 70 ft		
RC820476-100	Kit, PVC jacketed cable 100 ft	Temp range: –94...392° F (–70...200° C)	
RC820477-20	Kit, FEP jacketed cable 20 ft		
RC820477-35	Kit, FEP jacketed cable 35 ft		
RC820477-50	Kit, FEP jacketed cable 50 ft		
RC820477-70	Kit, FEP jacketed cable 70 ft		
RC820477-100	Kit, FEP jacketed cable 100 ft		