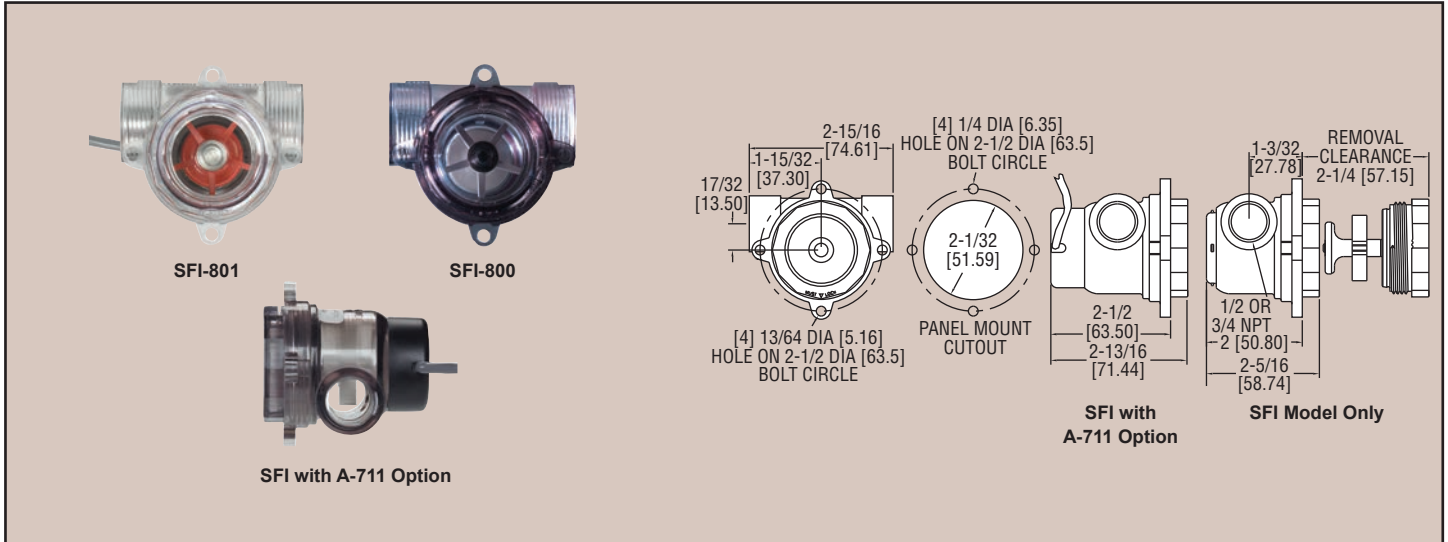




Series
SFI-800

Sight Flow Indicator/Transmitter

Low Cost, Optional Output for Flow Rate and Totalization UV Stabilized Polycarbonate Model



FLOW
Flow Transmitters, Paddlewheel, In-Line

The Series SFI-800 Sight Flow Indicator is a low cost, durable rotor style flow indicator with optional Hall effect magnetic output packages for remote flow monitoring. Both SFI-800 and 801 models are constructed of clear plastic enabling 360° viewing of the spinning rotor for easy flow indication. SFI-800 models are constructed of polysulfone with excellent chemical compatibility, high pressure and temperature ratings, and all wetted materials are FDA/NSF ratable for potable water applications. SFI-801 models are constructed of UV stabilized polycarbonate making them ideal for outdoor applications (materials do not meet FDA/NSF). The SFI-801 models also feature an easy view bright red impeller.

Body and Sensors Attached:

To order **A-711** attached to flow indicator body add suffix -A711 to the body part number.

Example: **SFI-800-1/2-A711**

To order **A-712** attached to flow indicator body add suffix -A712 to the body part number.

Example: **SFI-800-1/2-A712**

To order **A-713** attached to flow indicator body add suffix -A713 to the body part number.

Example: **SFI-800-1/2-A713**

Sensor Only

Model	Description
A-711	Pulsed Output
A-712	1 to 10 VDC
A-713	Two Open Collectors

*Sensor only, not attached to the flow indicator body.

Body Only

Model	Description	Range GPM (LPM)	Connection Female NPT
Polysulfone Body			
SFI-800-1/2	Indicator Only	2-20 (7.6-75.5)	1/2"
SFI-800-3/4	Indicator Only	3-35 (11.4-132.5)	3/4"
SFI-800-1/2-LF	Indicator Only	0.5-6.5 (1.9-24.6)	1/2"
Polycarbonate Body			
SFI-801-1/2	Indicator Only	2-20 (7.6-75.5)	1/2"
SFI-801-3/4	Indicator Only	3-35 (11.4-132.5)	3/4"
SFI-801-1/2-LF	Indicator Only	0.5-6.5 (1.9-24.6)	1/2"

SPECIFICATIONS

Service: Compatible fluids.

Wetted Materials

Body: SFI-800: Polysulfone; SFI-801: UV stabilized polycarbonate;
Window: SFI-800: Polysulfone; SFI-801: UV stabilized polycarbonate;
Rotor: SFI-800: White polysulfone; SFI-801: Red UV stabilized PBT;
Rotor Pin: 316 SS;
Thrust washers: 300 Series SS;
O-ring: SFI-800: Fluoroelastomer (NSF grade); SFI-801: Buna-N.

Temperature Limits: SFI-800: -20 to 212°F (-29 to 100°C); SFI-801: -20 to 130°F (-29 to 55°C).

Pressure Limits: SFI-800: 150 psi (10.34 bar); SFI-801: 125 psi (8.62 bar).

Viscosity Max: 200 SSU.

Weight: SFI-800: 3.35 oz (95 g); SFI-800-A711: 5.0 oz (142 g).

Agency Approvals: CE.

ELECTRICAL SPECIFICATIONS (for A-711 Option Only)

Temperature Limits: -20 to 212°F (-29 to 100°C).

Power Requirements: 8 to 28 VDC.

Output Signal: White lead: 5 VDC; Green lead: 8 to 28 VDC equal to supply voltage. Pulsed output with frequency rate proportional to flow rate.

Accuracy: ±5% of FS.

Frequency Output Range: 0 to 100 Hz.

Electrical Connections: Black lead - ground; White lead: 5 VDC out pulse; Green lead: 8 to 28 VDC out pulse; Red lead: 8 to 28 VDC supply.

ELECTRICAL SPECIFICATIONS (for A-712 option only)

Temperature Limits: -20 to 212°F (-29 to 100°C).

Power Requirements: 15 to 28 VDC.

Output Signal: White lead: 1 to 10 VDC.

Accuracy: ±5% of FS.

Electrical Termination: Black lead: Ground; Red lead: 15 to 28 VDC input; White lead: 1 to 10 VDC output.

ELECTRICAL SPECIFICATIONS (for A-713 option only)

Temperature Limits: -20 to 212°F (-29 to 100°C).

Power Requirements: 8 to 28 VDC.

Output Signal: White lead: Normally open switch; Green lead: Normally closed switch. Both open collector, 100 mA max, 28 VDC max.

Electrical Connections: Black lead: Ground; White lead: Normally open; Green lead: Normally closed; Red lead: 8 to 28 VDC.