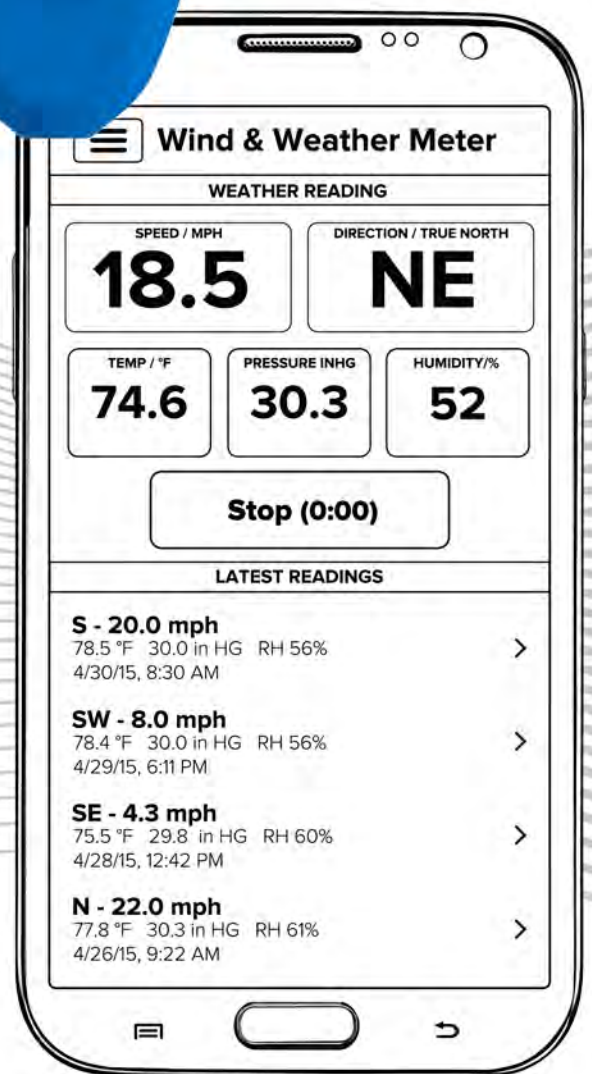
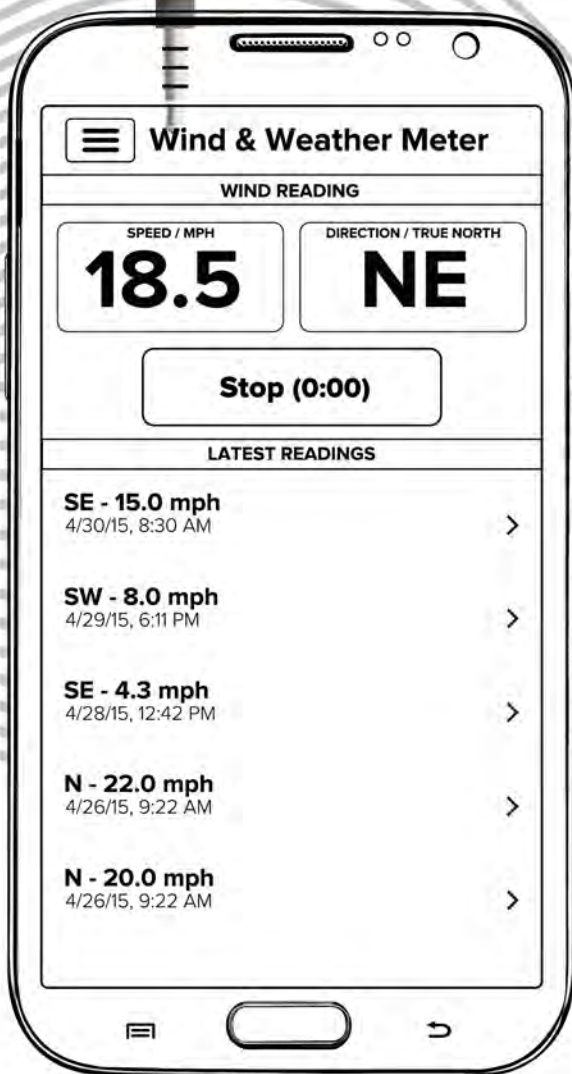


## WINDmeter



## WEATHERmeter

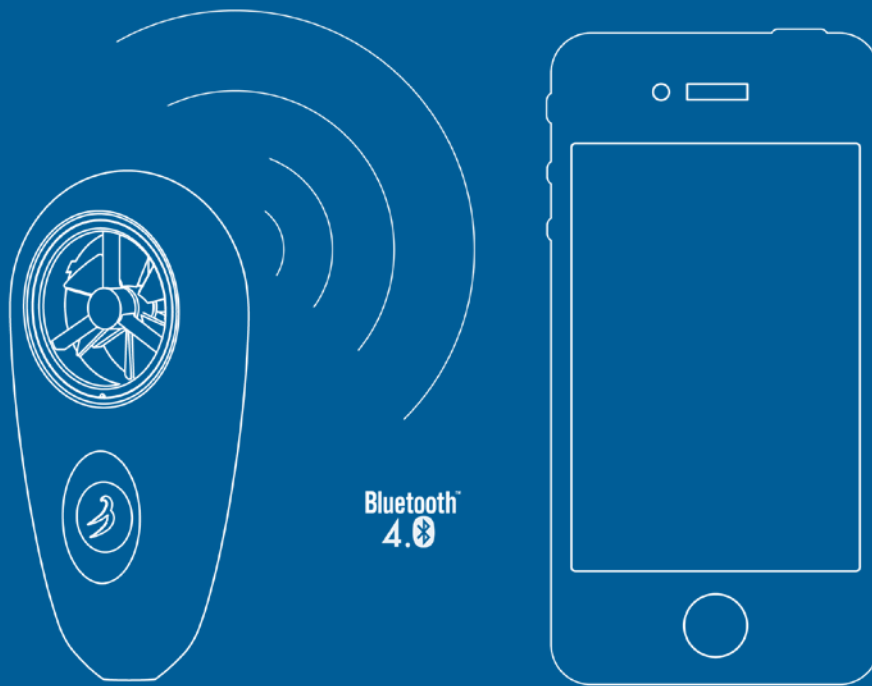


# Smartphone Wind & Weather Meters

## Take & Share Weather Reports Anywhere

WeatherFlow Wind Meters are miniature weather stations you use with your smartphone to collect real-time wind, temperature, humidity and pressure readings. Readings are recorded and displayed directly in the 'Wind Meter' app. The free app is available on App Store and Google Play.

To use one of the Wind Meters, simply hold it up high, facing directly into the wind. The app does the rest by recording the weather data along with your location. The app keeps a history of your measurements. You can share the data through email, SMS or any social media network. And you can view your readings, along with the readings of others on a map.



App Store



Wind Meter App



Play Store



OTHER COMPATIBLE APPS

SAILFLOW

IKITESURF

WindAlert

iWINDSURF

FISHWEATHER

\* SDK available for 3rd party app integration.

Find Quality Products Online at:

[www.GlobalTestSupply.com](http://www.GlobalTestSupply.com)

[sales@GlobalTestSupply.com](mailto:sales@GlobalTestSupply.com)

# WeatherFlow WINDmeter



The WeatherFlow Wind Meter is a pocket-sized anemometer that captures highly accurate wind measurements. It connects to your iOS or Android device via the audio jack. Use the free 'Wind Meter' app or other compatible apps to record and share wind reports.

## FEATURES

- wind speed (avg, gust, apparent, true)
- wind direction (magnetic, true)
- crosswind, headwind, tailwind
- plugs into 3.5mm audio jack
- calibrated by University of Florida Aerospace Engineering







# WeatherFlow WEATHERmeter

The Weatherflow Weather Meter is a highly accurate miniature weather device used with your smartphone to collect wind, temperature, humidity and pressure readings. It connects wireless to your smartphone via BlueTooth Smart (Low Energy) and can communicate up to 100 ft away. Readings are recorded and displayed directly in the free 'Wind Meter' app or any other compatible app.

## FEATURES

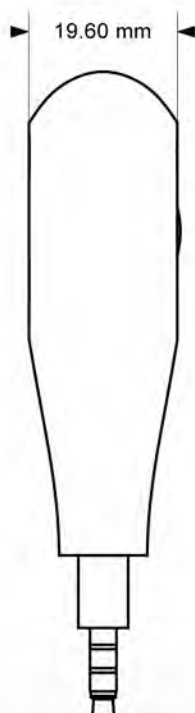
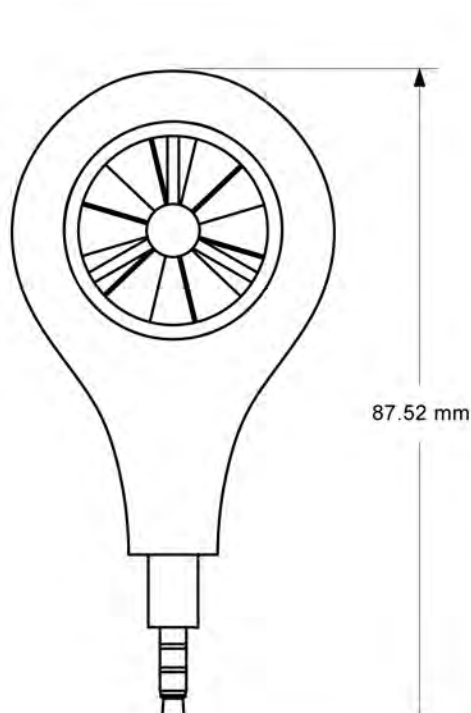
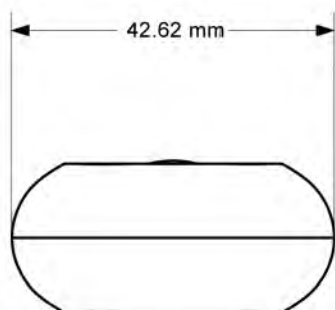
- wind speed (avg, gust, apparent, true)
- wind direction (magnetic, true)
- crosswind, headwind, tailwind
- temperature & relative humidity
- pressure & dew point
- heat index, wind chill, and morev
- Bluetooth® Smart (super energy efficient)
- held in hand or attached to any 1/4-20 camera mount up to 100 ft away
- calibrated by University of Florida Aerospace Engineering



# Specifications

## WIND METER TECHNICAL SPECS

MEASUREMENT	RANGE	ACCURACY
Wind Speed	2-125 mph	± 0.5%
Wind Direction	0-360 degrees	depends on phone/device



# Specifications

## WEATHER METER TECHNICAL SPECS

MEASUREMENT	RANGE		ACCURACY	
Wind Speed	0.5-140 mph	0.8 to 225 kph	± 0.5%	
Temperature	-40 to 255 °F	-40 to 125 °C	± 0.5°F	± 0.3°C
Barometric Pressure	8.9 to 32.5 inHg	300 to 1100 mbar	± 0.03 inHg	± 1 mbar
Humidity	0-100%		± 3%	
Wind Direction	0-360 degrees		± 0.5%	
Bluetooth Range	up to 100 ft			

